



Chipsmall Limited consists of a professional team with an average of over 10 year of expertise in the distribution of electronic components. Based in Hongkong, we have already established firm and mutual-benefit business relationships with customers from,Europe,America and south Asia,supplying obsolete and hard-to-find components to meet their specific needs.

With the principle of “Quality Parts,Customers Priority,Honest Operation,and Considerate Service”,our business mainly focus on the distribution of electronic components. Line cards we deal with include Microchip,ALPS,ROHM,Xilinx,Pulse,ON,Everlight and Freescale. Main products comprise IC,Modules,Potentiometer,IC Socket,Relay,Connector.Our parts cover such applications as commercial,industrial, and automotives areas.

We are looking forward to setting up business relationship with you and hope to provide you with the best service and solution. Let us make a better world for our industry!



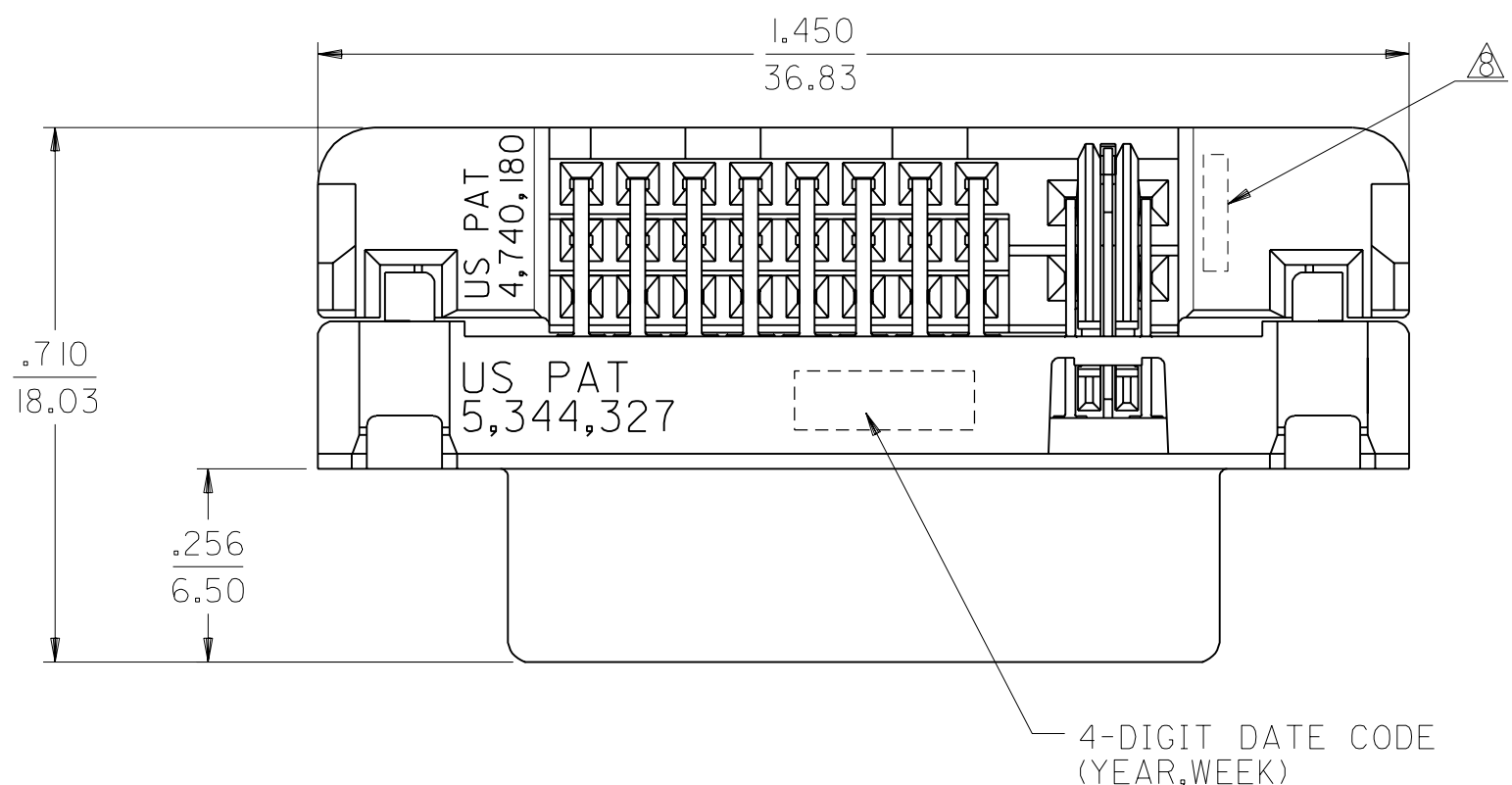
Contact us

Tel: +86-755-8981 8866 Fax: +86-755-8427 6832

Email & Skype: info@chipsmall.com Web: www.chipsmall.com

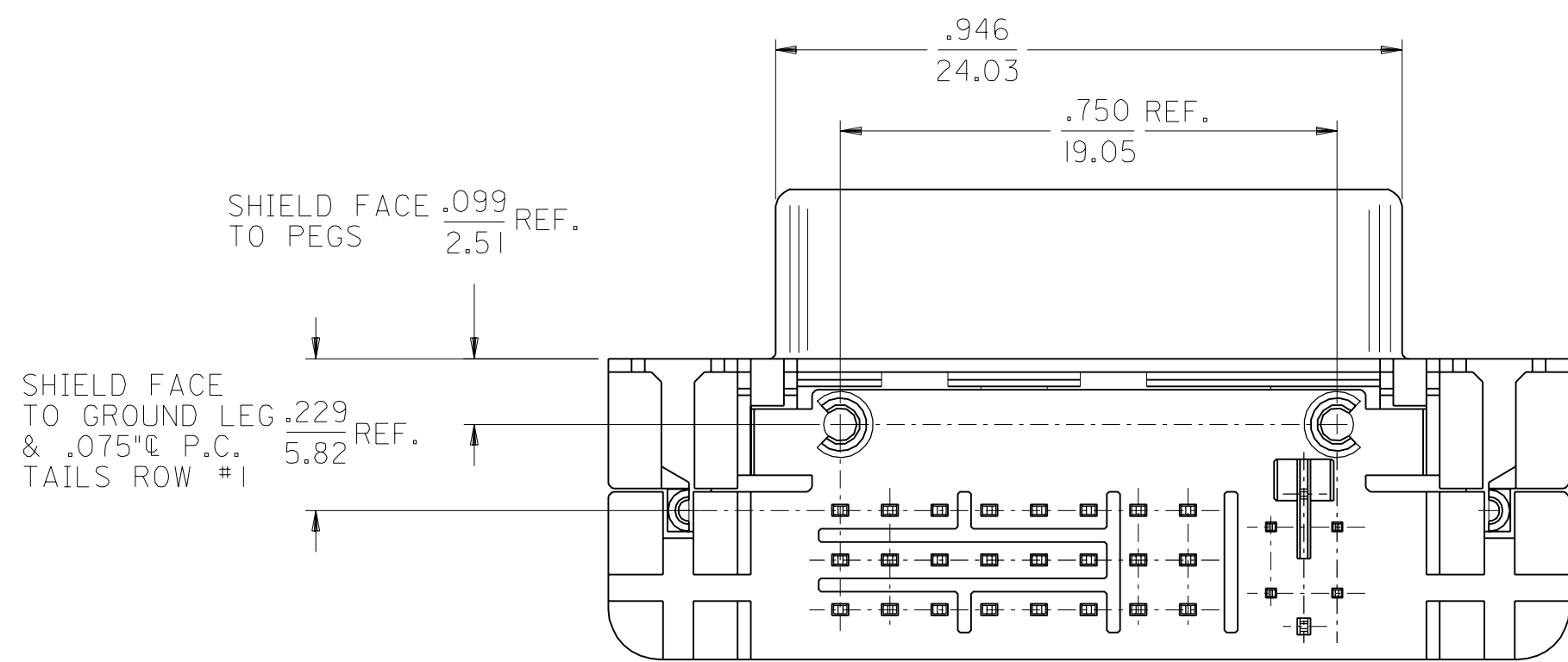
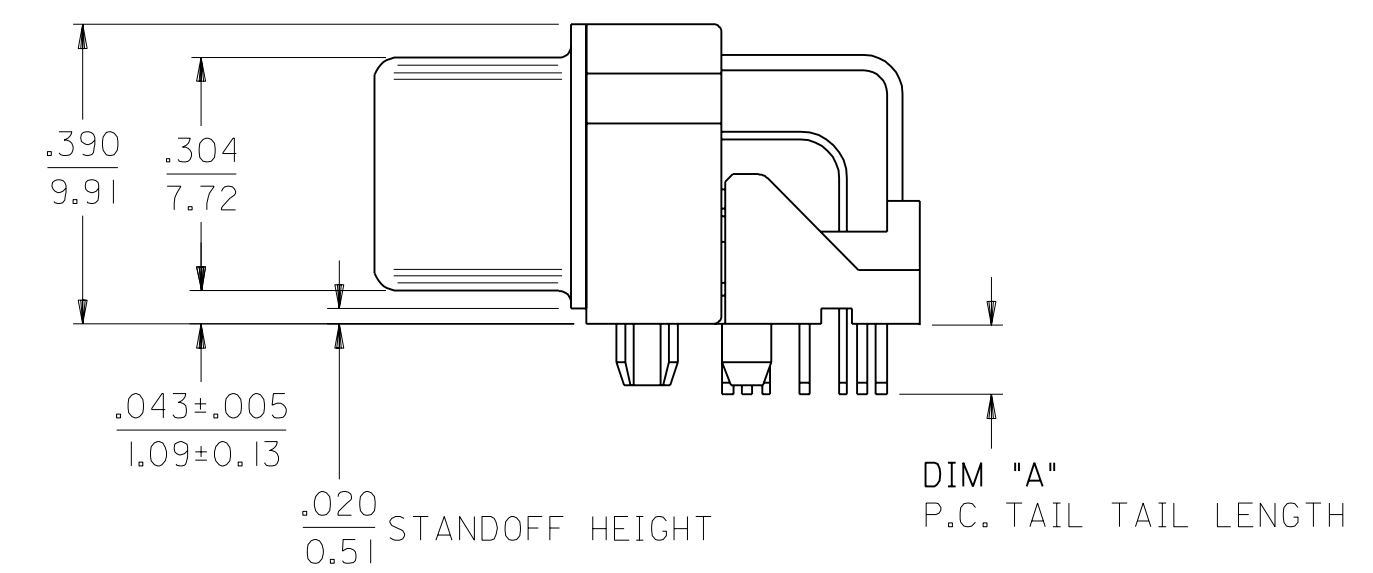
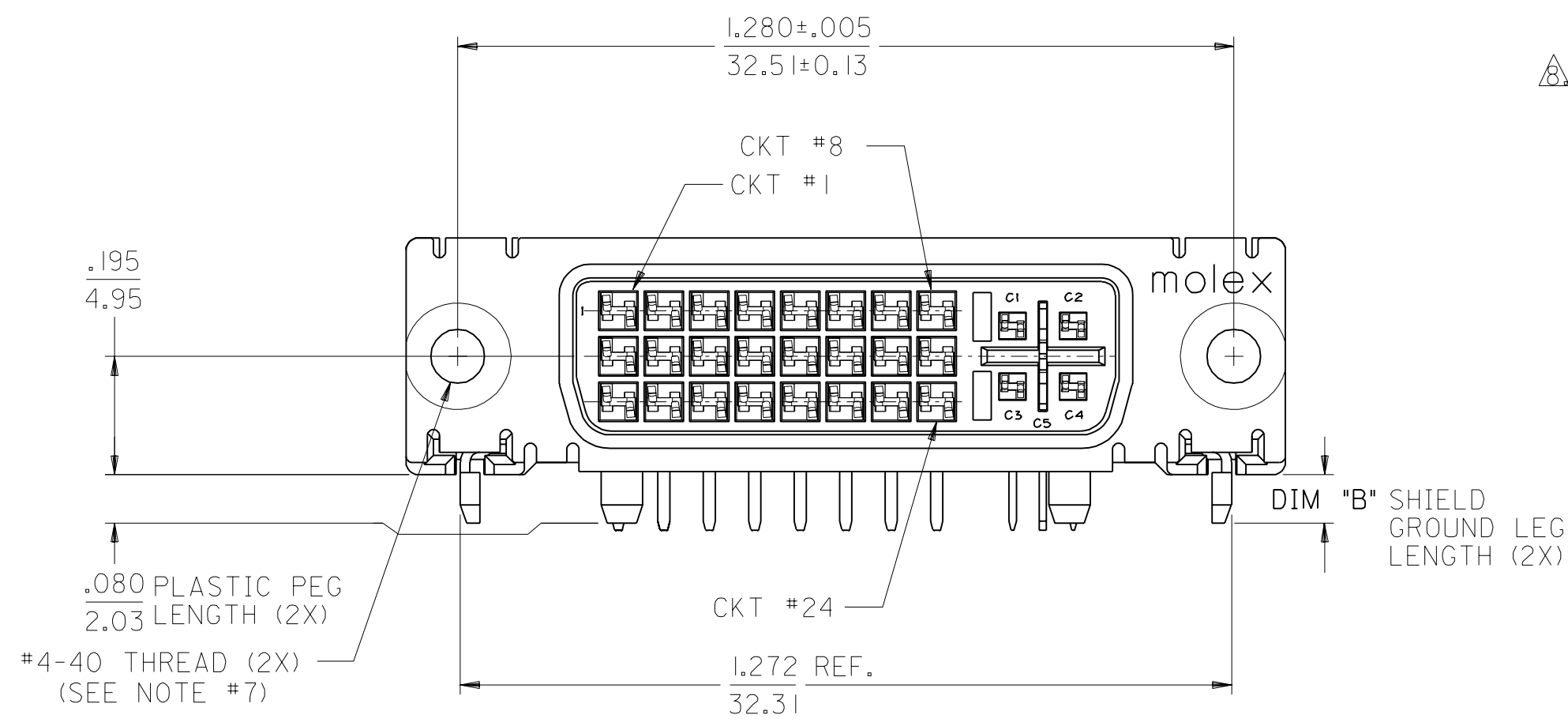
Address: A1208, Overseas Decoration Building, #122 Zhenhua RD., Futian, Shenzhen, China





NOTES:

- MATERIALS:
SHIELD -- DEEP DRAW STEEL.
HOUSING -- GLASS FILLED POLYMER, NATURAL (WHITE), UL 94v-0.
TAIL ALIGNER -- GLASS FILLED POLYMER, NATURAL (WHITE), UL 94v-0.
CONTACTS -- COPPER ALLOY.
MICROCROSS GROUND -- COPPER ALLOY.
 - PLATING: SEE SHEET 2
 - PRODUCT CONFORMS TO MOLEX PRODUCT SPECIFICATION NUMBER PS-74320-001. REFER TO THIS SPECIFICATION FOR SPACING ON A P.C.B. OF TWO OR MORE CONNECTORS WHEN USING A CABLE OR AN ADAPTER ASSEMBLY.
 - SEE SHEET 2 FOR RECOMMENDED PANEL CUT-OUT AND P.C.B. LAYOUT.
 - PARTS WILL BE PACKAGED IN TRAYS PER PK-74320-010.
 - PRODUCT CONFORMS TO DDWG DVI SPECIFICATION. REFER TO THIS SPECIFICATION FOR CONNECTOR MATING DIMENSIONS.
 - RECOMMENDED MOUNTING HARDWARE IS MOLEX P/N 7178I-0001 OR 82007-0300 OR 88780-6066.
REFER TO PRODUCT SPECIFICATION NUMBER PS-74320-001 FOR THE APPLICATION TORQUE REQUIREMENT FOR ASSEMBLING MOUNTING HARDWARE.
- ⚠ CAVITY ID AND MANUFACTURING PLANT CODE.



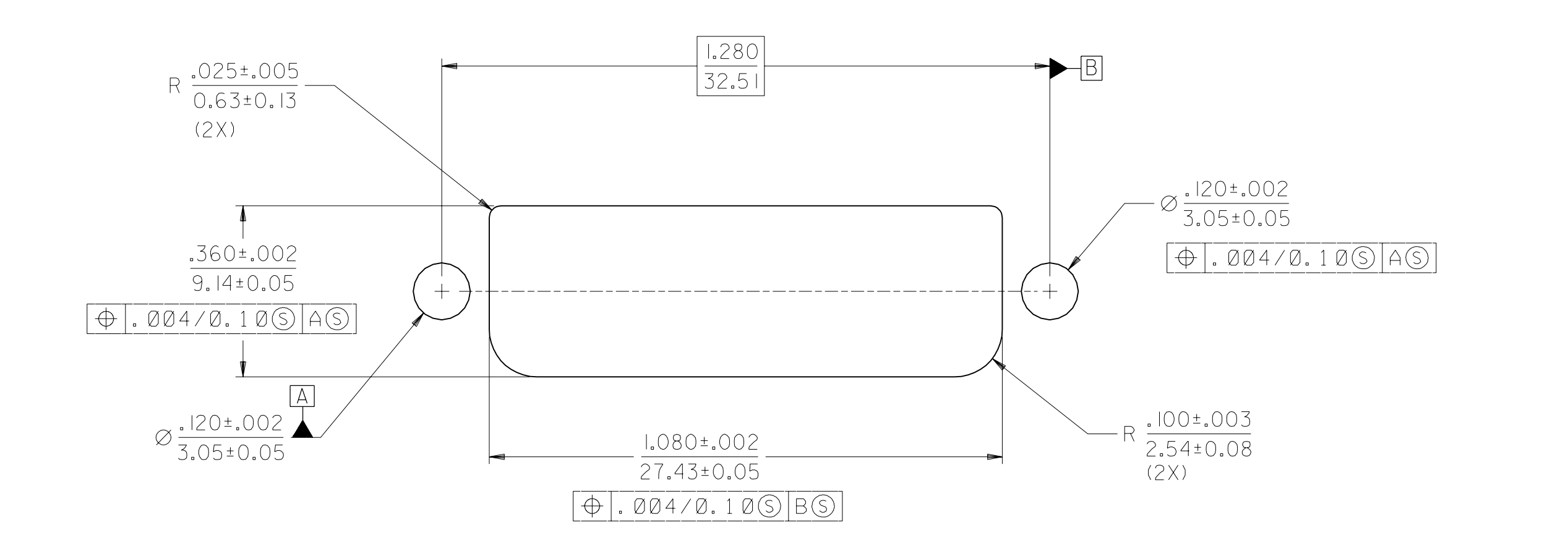
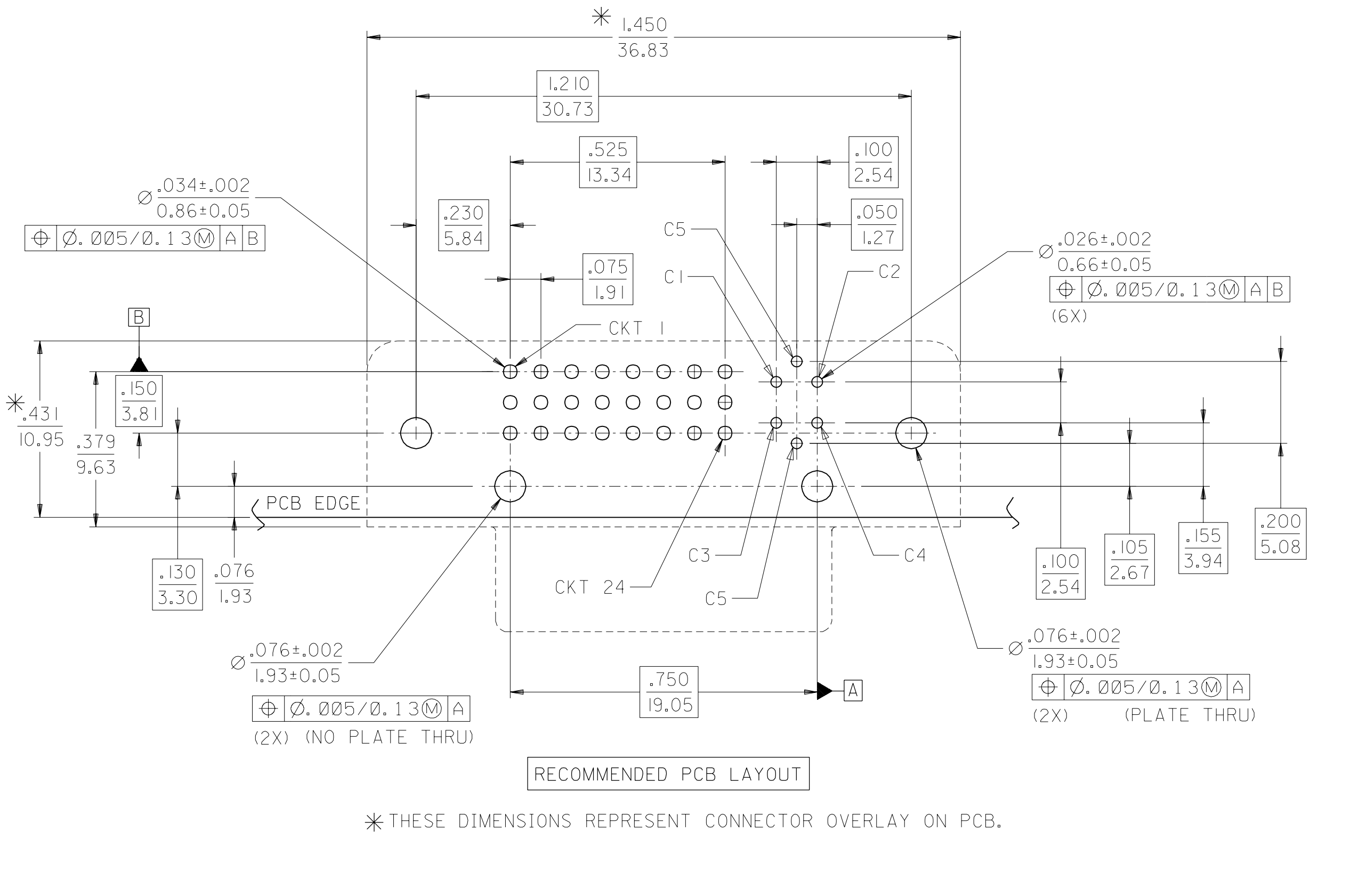
| PART NUMBER | PLATING OPTION | DIM "A" | DIM "B" |
|-------------|----------------|-----------|-----------|
| 74320-1000 | 1 | .092/2.34 | .080±.020 |
| 74320-1001 | 1 | .050/1.27 | 2.03±0.51 |
| 74320-1003 | 1 | .123/3.12 | .110/2.79 |
| 74320-1004 | 2 | .092/2.34 | .080±.020 |
| 74320-1005 | 2 | .050/1.27 | 2.03±0.51 |
| 74320-1006 | 2 | .110/2.79 | .110/2.79 |
| 74320-1007 | 2 | .123/3.12 | .110/2.79 |

| MODIFICATION | DESCRIPTION | REV |
|-----------------------|-----------------|-----|
| EC NO. SH2004-0130 | QUALITY SYMBOLS | |
| DRWN: DXUE 04/03/04 | MAJOR | |
| CHK: HARVEY 04/03/11 | CRITICAL | |
| APPR: SHUANG 04/03/12 | | |

| GENERAL TOLERANCES: (UNLESS SPECIFIED) | SCALE | DESIGN UNITS |
|--|-------|--------------|
| 4 PLACES ±0. | 4 : 1 | mm |
| 3 PLACES ±0. | | INCH |
| 2 PLACES ±0.25 | | |
| 1 PLACE ±0.25 | | |
| ANGULAR: ± 1/2° | | |
| DRAFT WHERE APPLICABLE MUST REMAIN WITHIN DIMENSIONS | | |

| SCALE | DESIGN UNITS | THIRD ANGLE PROJECTION |
|--------------------|--------------|------------------------|
| 4 : 1 | mm | THIRD ANGLE PROJECTION |
| DRAWN BY & DATE | | |
| MOSULLIV 99/02/12 | | |
| CHECKED BY & DATE | | |
| MOSULLIV 99/02/12 | | |
| APPROVED BY & DATE | | |
| NELLIGN 99/02/15 | | |
| CAD FILENAME | | |
| SD74320001.S01 | | |

| TITLE: | MATERIAL NO. | DRAWING NO. | SHEET NO. |
|--|--------------|--------------|-----------|
| DVI - INTEGRATED RIGHT ANGLE RECEPTACLE CONNECTOR | | SD-74320-001 | 1 OF 2 |
| MOLEX INCORPORATED | | | |
| THIS DRAWING CONTAINS INFORMATION THAT IS PROPRIETARY TO MOLEX INCORPORATED AND SHOULD NOT BE USED WITHOUT WRITTEN PERMISSION. | | | |



| | | | | | | | | |
|--|-----------------------|--|---|--|---------------------------|---|----------------|-----------|
| MODIFICATION EC NO. SH2004-0130 DRWN: DXUE 04/03/05 CHK: HARVEY 04/03/11 APPR: SHUANG 04/03/12 | QUALITY SYMBOLS | GENERAL TOLERANCES: (UNLESS SPECIFIED) | SCALE 4 : 1 | DESIGN UNITS <input type="checkbox"/> mm <input checked="" type="checkbox"/> INCH | THIRD ANGLE PROJECTION | DIMENSIONS: <input type="checkbox"/> mm ONLY <input checked="" type="checkbox"/> INCH ONLY | SHT | REV |
| | MAJOR $\nabla=0$ | 4 PLACES $\pm 0.$ mm $\pm .$ INCH | DRAWN BY & DATE MOSULLIV 99/02/12 | TITLE: DVI - INTERGRATED RIGHT ANGLE RECEPTACLE CONNECTOR | | | | |
| | CRITICAL $\nabla c=0$ | 3 PLACES $\pm 0.$ mm $\pm .010$ INCH | CHECKED BY & DATE MOSULLIV 99/02/12 | MOLEX INCORPORATED | | | | |
| | REV | 2 PLACES ± 0.25 mm $\pm .010$ INCH | APPROVED BY & DATE NELLIGAN 99/02/15 | CAD FILENAME SD7432001.S02 | MATERIAL NO. SEE CHART | DRAWING NO. SD-74320-001 | SHEET NO. 2 | |
| | | 1 PLACE ± 0.25 mm $\pm .010$ INCH | ANGULAR: $\pm 1/2^\circ$ | THIS DRAWING CONTAINS INFORMATION THAT IS PROPRIETARY TO MOLEX INCORPORATED AND SHOULD NOT BE USED WITHOUT WRITTEN PERMISSION. | | | | SIZE C |
| DRAFT WHERE APPLICABLE MUST REMAIN WITHIN DIMENSIONS | | | | | | | | |