



Chipsmall Limited consists of a professional team with an average of over 10 year of expertise in the distribution of electronic components. Based in Hongkong, we have already established firm and mutual-benefit business relationships with customers from,Europe,America and south Asia,supplying obsolete and hard-to-find components to meet their specific needs.

With the principle of "Quality Parts,Customers Priority,Honest Operation,and Considerate Service",our business mainly focus on the distribution of electronic components. Line cards we deal with include Microchip,ALPS,ROHM,Xilinx,Pulse,ON,Everlight and Freescale. Main products comprise IC,Modules,Potentiometer,IC Socket,Relay,Connector.Our parts cover such applications as commercial,industrial, and automotives areas.

We are looking forward to setting up business relationship with you and hope to provide you with the best service and solution. Let us make a better world for our industry!



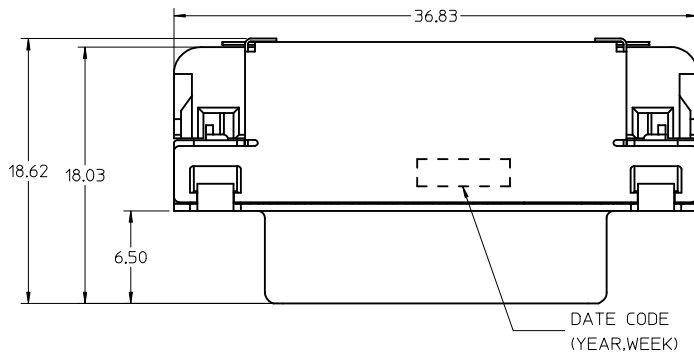
Contact us

Tel: +86-755-8981 8866 Fax: +86-755-8427 6832

Email & Skype: info@chipsmall.com Web: www.chipsmall.com

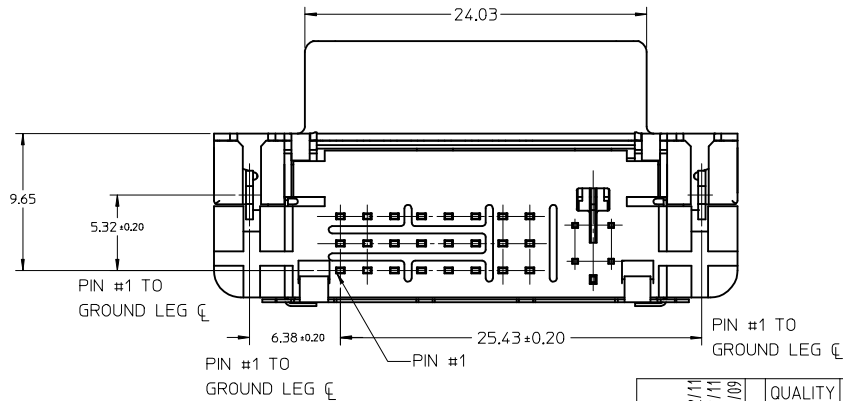
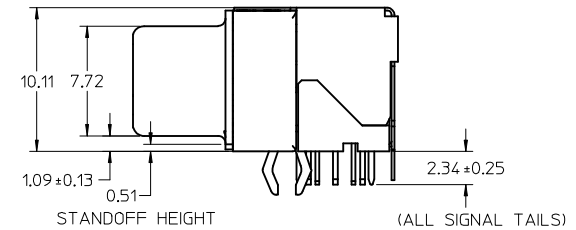
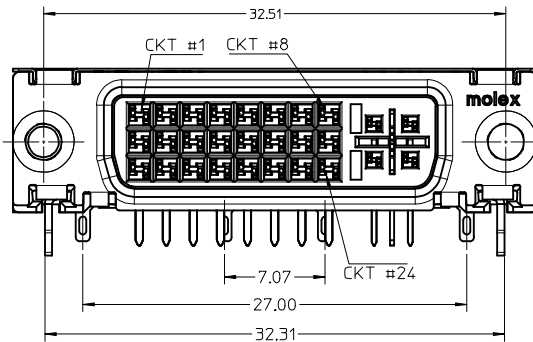
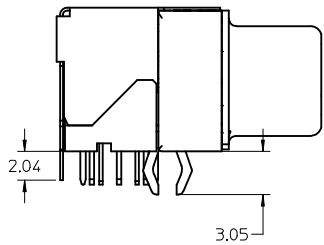
Address: A1208, Overseas Decoration Building, #122 Zhenhua RD., Futian, Shenzhen, China



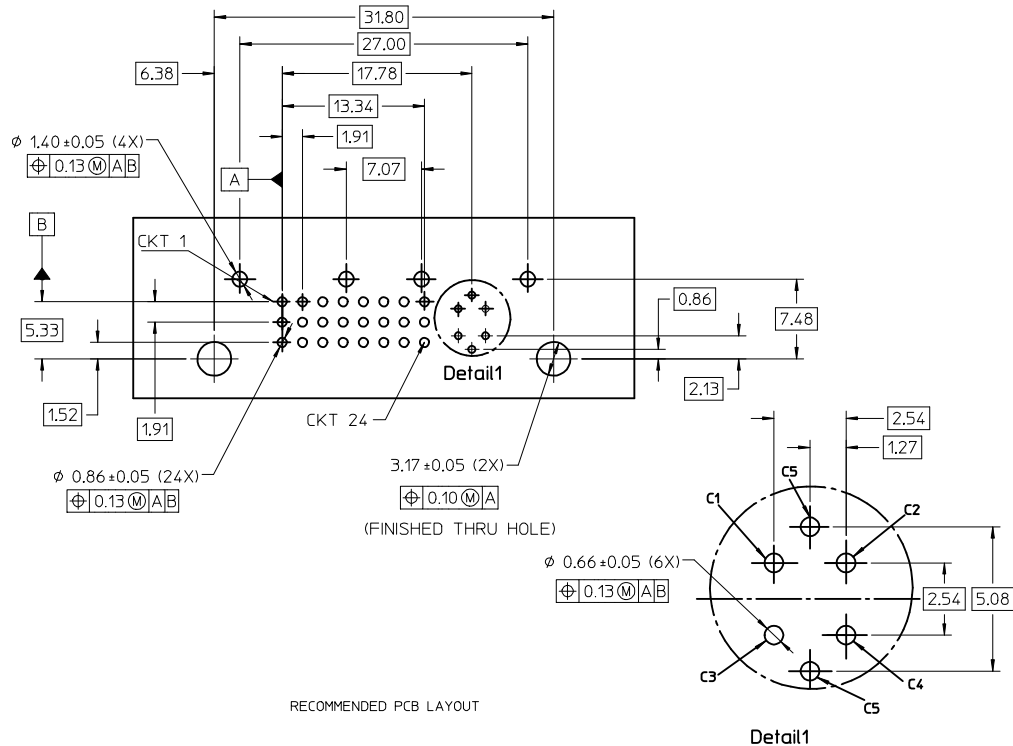


NOTES:

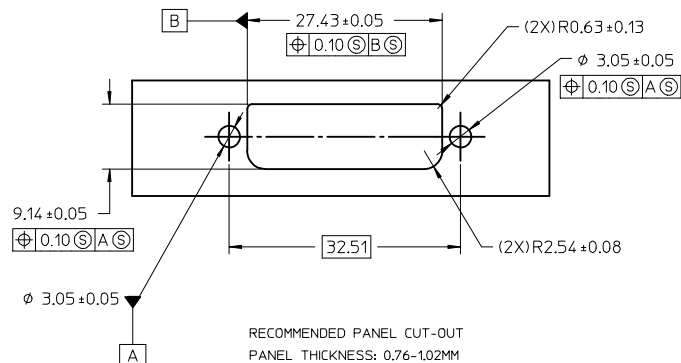
1. MATERIAL:
FRONT SHIELD: DEEP DRAW STEEL,
BACK SHIELD: STAINLESS STEEL,
HOUSING: LCP, UL94V-0, NATURAL (WHITE),
TAIL ALIGNER: LCP, UL94V-0, NATURAL (WHITE),
CONTACT: COPPER ALLOY.
2. PLATING: SEE SHEET 2.
3. PRODUCT CONFORMS TO MOLEX PRODUCT SPECIFICATION NUMBER PS-74320-001.
4. SEE SHEET 2 FOR RECOMMENDED PANEL CUT-OUT AND P.C.B. LAYOUT.
5. PARTS WILL BE PACKAGED IN TRAYS PER PK-74320-044.
6. PRODUCT CONFORMS TO DDWG DVI SPECIFICATION. REFER TO THIS SPECIFICATION FOR CONNECTOR MATING DIMENSIONS.
7. RECOMMENDED MOUNTING HARDWARE IS MOLEX P/N 88780-6066. REFER TO PRODUCT SPECIFICATION NUMBER PS-74320-001 FOR THIS APPLICATION TORQUE REQUIREMENT FOR ASSMBLING MOUNTING HARDWARE.



REVISED EC NO: SH2015-0200 DRAWN: XQZHANG 2014/12/11 CHKD: XQZHANG 2014/12/11 APPR: AYIN 2015/02/09	QUALITY SYMBOLS ▽=0 ▽=0 ▽=0	GENERAL TOLERANCES (UNLESS SPECIFIED)		DIMENSION STYLE MM ONLY		SCALE 1:1	DESIGN UNITS METRIC	THIRD ANGLE PROJECTION	
			m/m	INCH	DRAWN BY LBAO	DATE 2005/06/17	TITLE DVI-I RIGHT ANGLE RECEPTACLE CONNECTOR W/SHIELDING & W/O SCREW molex DOCUMENT NO. SD-74320-133 SHEET NO. 1 OF 2		
		4 PLACES	±---	±---	CHECKED BY LBAO	DATE 2005/06/17			
		3 PLACES	±---	±---	APPROVED BY	DATE			
2 PLACES	±0.25	±---							
		1 PLACE	±0.25	±---					
		0 PLACE	±---	±---					
		ANGULAR ±0.5°		MATERIAL NO. 74320-1033					
		DRAFT WHERE APPLICABLE MUST REMAIN WITHIN DIMENSIONS		SIZE A 2		THIS DRAWING CONTAINS INFORMATION THAT IS PROPRIETARY TO MOLEX INCORPORATED AND SHOULD NOT BE USED WITHOUT WRITTEN PERMISSION			



RECOMMENDED PCB LAYOUT



RECOMMENDED PANEL CUT-OUT
PANEL THICKNESS: 0.76-1.02MM

PLATING OPTIONS:

FRONT SHIELD -- 150u"/3.75um MIN. BRIGHT TIN OVER
50u"/1.27um MIN. NICKEL OVER COPPER FLASH.
BACK SHIELD -- 50u"/1.27um MIN. BRIGHT TIN OVER
50u"/1.27um MIN. NICKEL OVER COPPER FLASH.

.075"/1.91mm CONTACTS -- 30u"/0.75um MIN. SELECT GOLD AND
100u"/2.50um MIN. SELECT TIN
OVER 50u"/1.27um MIN. NICKEL OVERALL.
.100"/2.54mm CONTACTS -- 30u"/0.75um MIN. SELECT GOLD AND
100u"/2.50um MIN. SELECT TIN.
OVER 50u"/1.27um MIN. NICKEL OVERALL.

SEE SHEET 1 EC NO: SH2015-0200 DRAWN: XZHZHANG 2014/12/11 CHKD: XZHZHANG 2014/12/11 APPR: AYIN 2015/02/09 REV B	DESCRIPTION REV	QUALITY SYMBOLS $\nabla=0$ $\nabla=0$ $\nabla=0$		GENERAL TOLERANCES (UNLESS SPECIFIED) <table border="1"> <thead> <tr> <th></th> <th>mm</th> <th>INCH</th> </tr> </thead> <tbody> <tr> <td>4 PLACES</td> <td>± ---</td> <td>± ---</td> </tr> <tr> <td>3 PLACES</td> <td>± ---</td> <td>± ---</td> </tr> <tr> <td>2 PLACES</td> <td>± 0.25</td> <td>± ---</td> </tr> <tr> <td>1 PLACE</td> <td>± 0.25</td> <td>± ---</td> </tr> <tr> <td>0 PLACE</td> <td>± ---</td> <td>± ---</td> </tr> </tbody> </table>			mm	INCH	4 PLACES	± ---	± ---	3 PLACES	± ---	± ---	2 PLACES	± 0.25	± ---	1 PLACE	± 0.25	± ---	0 PLACE	± ---	± ---	DIMENSION STYLE MM ONLY		SCALE 1:1	DESIGN UNITS METRIC	THIRD ANGLE PROJECTION
			mm	INCH																								
		4 PLACES	± ---	± ---																								
		3 PLACES	± ---	± ---																								
2 PLACES	± 0.25	± ---																										
1 PLACE	± 0.25	± ---																										
0 PLACE	± ---	± ---																										
ANGULAR ± 0.5° DRAFT WHERE APPLICABLE MUST REMAIN WITHIN DIMENSIONS				DRAWN BY LBAO		DATE 2005/06/17		TITLE DVI-I RIGHT ANGLE RECEPTACLE CONNECTOR W/SHIELDING & W/O SCREW																				
				CHECKED BY LBAO		DATE 2005/06/17																						
				APPROVED BY		DATE		MATERIAL NO. SEE SHEET 1																				
						DOCUMENT NO. SD-74320-133		SHEET NO. 2 OF 2																				
THIS DRAWING CONTAINS INFORMATION THAT IS PROPRIETARY TO MOLEX INCORPORATED AND SHOULD NOT BE USED WITHOUT WRITTEN PERMISSION																												