



Chipsmall Limited consists of a professional team with an average of over 10 year of expertise in the distribution of electronic components. Based in Hongkong, we have already established firm and mutual-benefit business relationships with customers from,Europe,America and south Asia,supplying obsolete and hard-to-find components to meet their specific needs.

With the principle of “Quality Parts,Customers Priority,Honest Operation,and Considerate Service”,our business mainly focus on the distribution of electronic components. Line cards we deal with include Microchip,ALPS,ROHM,Xilinx,Pulse,ON,Everlight and Freescale. Main products comprise IC,Modules,Potentiometer,IC Socket,Relay,Connector.Our parts cover such applications as commercial,industrial, and automotives areas.

We are looking forward to setting up business relationship with you and hope to provide you with the best service and solution. Let us make a better world for our industry!



Contact us

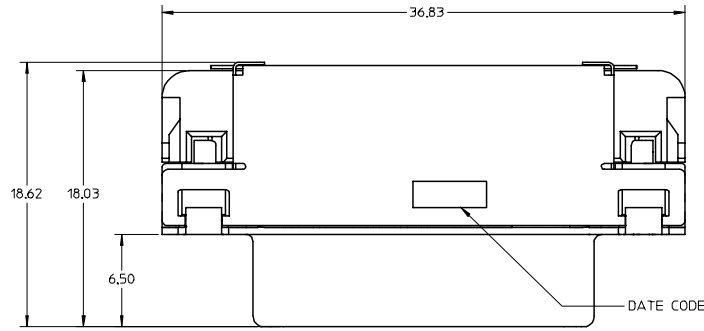
Tel: +86-755-8981 8866 Fax: +86-755-8427 6832

Email & Skype: info@chipsmall.com Web: www.chipsmall.com

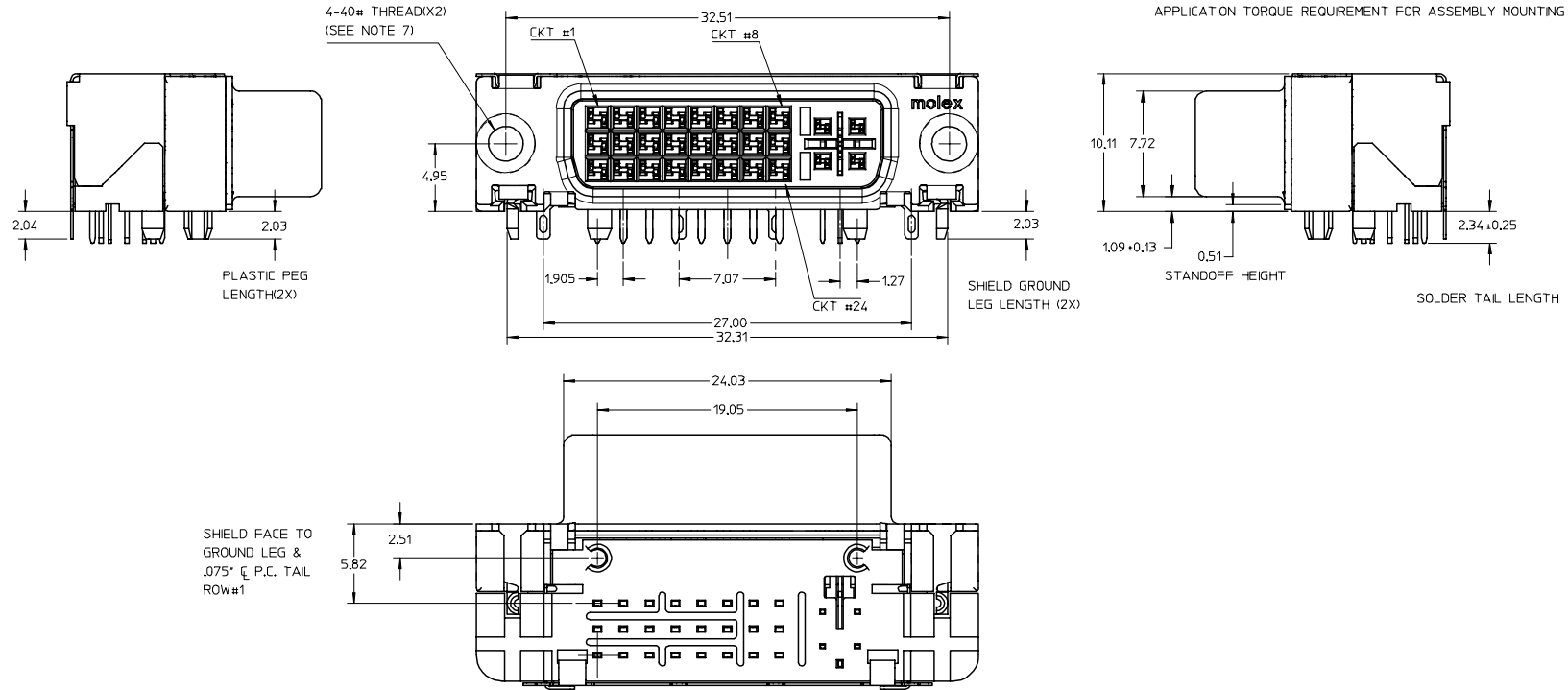
Address: A1208, Overseas Decoration Building, #122 Zhenhua RD., Futian, Shenzhen, China



J
I
H
G
F
E
D
C
B
A



1. MATERIALS:
 FRONT SHIELD -- DEEP DRAW STEEL
 BACK SHIELD -- STAINLESS STEEL
 HOUSING -- GLASS FILLED POLYMER,NATURE(IVORY WHITE)UL 94v-0.
 TAIL ALIGNER -- GLASS FILLED POLYMER, NATURE(IVORY WHITE)UL 94v-0.
 CONTACTS -- COPPER ALLOY
 MICROGROUND -- COPPER ALLOY
2. PLATING SHEET 2
3. PRODUCT CONFIRMS TO MOLEX PRODUCT SPECIFICATION NUMBER PS-74320-001. REFER TO THIS SPECIFICATION FOR SPACING ON A P.C.B.OF TWO OR MORE CONNECTORS WITH USING A CABLE OR AN ADAPTER ASSEMBLY.
4. SEE SHEET 2 FOR RECOMMENDED PANEL CUT-OUT AND P.C.B.LAYOUT.
5. PARTS WILL BE PACKAGED IN TRAYS PER PK-74320-010
6. PRODUCT CONFIRMS TO DDWG DVI SPECIFICATION,REFER TO THIS SPECIFICATION FOR CONNECTOR MATING DIMENSIONS.
7. RECOMMENDED MOUNTING HARDWARE IS MOLEX P/N 88780-6066 OR 82007-0300 OR 71781-0001 REFER TO PRODUCT SPECIFICATION NUMBER PS-74320-001 FOR THE APPLICATION TORQUE REQUIREMENT FOR ASSEMBLY MOUNTING HARDWARE.



NEW RELEASE EC NO: SH2005-0035 DRAWN: DXUE 2004/08/19 CHKD: 2004/08/20 APPR: YTYAP 2004/08/20	QUALITY SYMBOLS ▽ - 0 ◻ - 0	GENERAL TOLERANCES (UNLESS SPECIFIED)		SCALE 4:1	DESIGN UNITS METRIC	THIRD ANGLE PROJECTION	REVISE ON CAD ONLY
		4 PLACES ± --- ± --- 3 PLACES ± --- ± --- 2 PLACES ± 0.25 ± --- 1 PLACE ± 0.25 ± ---	DIMENSION STYLE MM ONLY	TITLE DVI-I RIGHT ANGLE RECEPTACLE CONNECTOR WITH EMI SHIELDING			
		ANGULAR ± 3°		DRAWN BY DXUE DATE 2004/8/5	MOLEX MOLEX INCORPORATED		
		DRAFT WHERE APPLICABLE MUST REMAIN WITHIN DIMENSIONS		CHECKED BY DATE	MATERIAL NO. 743201304 DOCUMENT NO. SD-74320-050 SHEET NO. 1 OF 2		
THIS DRAWING CONTAINS INFORMATION THAT IS PROPRIETARY TO MOLEX INCORPORATED AND SHOULD NOT BE USED WITHOUT WRITTEN PERMISSION							

12

11

10

9

8

7

6

5

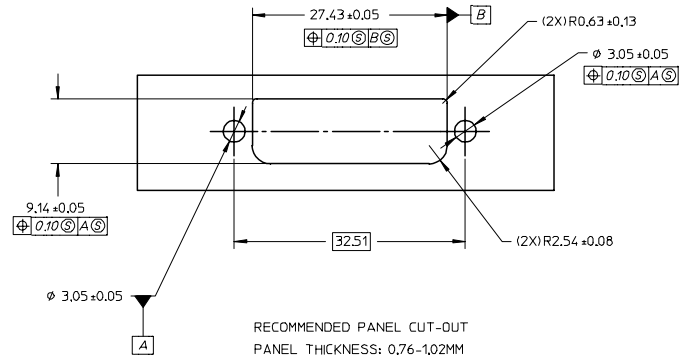
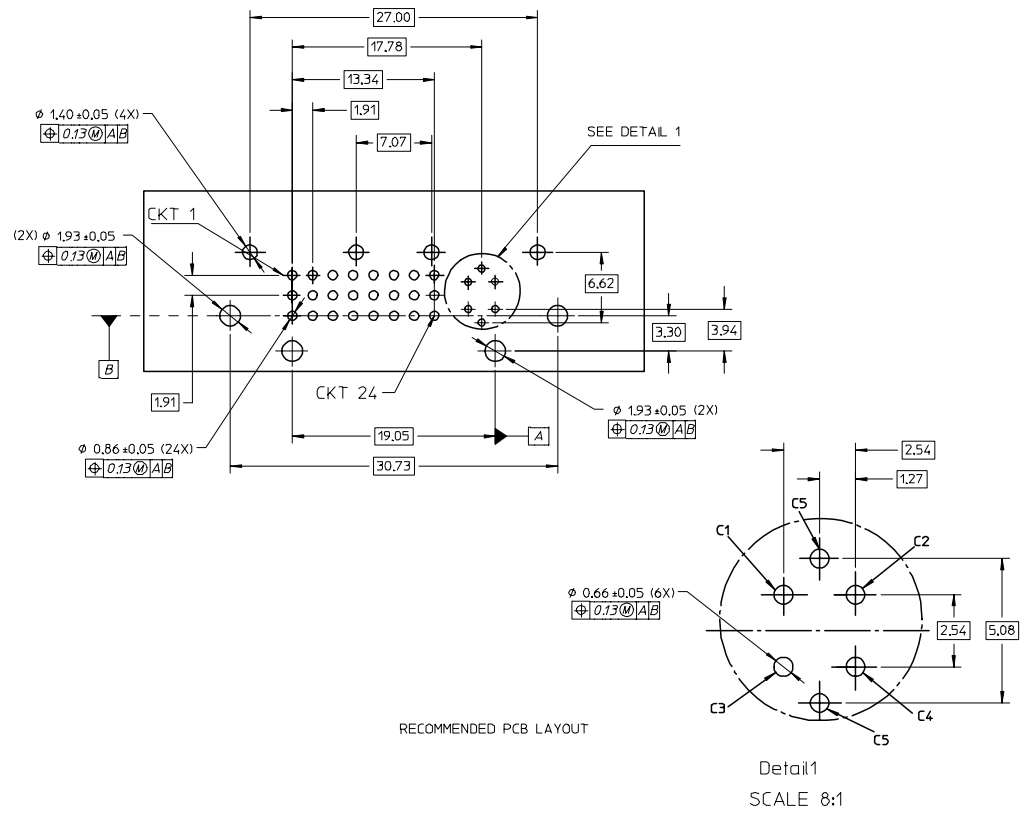
4

3

2

J
I
H
G
F
E
D
C
B
A

J
I
H
G
F
E
D
C
B
A



RECOMMENDED PANEL CUT-OUT
PANEL THICKNESS: 0,76-1,02MM

PLATING OPTIONS:
PLATING OPTION #1:
FRONT SHIELD -- 150u"/3.75um MIN, BRIGHT TIN OVER
50u"/1.27um MIN, NICKEL OVER COPPER FLASH.
BACK SHIELD -- 50u"/1.27um MIN, BRIGHT TIN OVER
50u"/1.27um MIN, NICKEL OVERALL.

.075"/1.91mm CONTACTS -- SELECT GOLD FLASH AND
100u"/2.50um MIN, SELECT TIN
OVER 50u"/1.27um MIN, NICKEL OVERALL.
.100"/2.54mm CONTACTS -- SELECT GOLD FLASH AND
100u"/2.50um MIN, SELECT TIN,
OVER 50u"/1.27um MIN, NICKEL OVERALL.
MICROCROSS GROUND -- 30u"/0.75um MIN SELECT GOLD AND
100u"/2.50um MIN, SELECT TIN,
OVER 50u"/1.27um MIN, NICKEL OVERALL.

NEW RELEASE EC NO: SH2005-0035 DRWN: DXUE 2004/08/19 CHKD: 2004/08/20 APPR: YTYAP 2004/08/20	DESCRIPTION REV	QUALITY SYMBOLS	GENERAL TOLERANCES (UNLESS SPECIFIED)		SCALE 4:1	DESIGN UNITS METRIC	THIRD ANGLE PROJECTION	REVISE ON CAD ONLY	
		▽ -0 ▽ -0		mm	INCH	DIMENSION STYLE MM ONLY		TITLE	
			4 PLACES	± ---	± ---	DRAWN BY DATE		DVI-I RIGHT ANGLE RECEPTACLE CONNECTOR WITH EMI SHIELDING	
			3 PLACES	± ---	± ---	DXUE 2004/8/5		MOLEX INCORPORATED	
		2 PLACES	± 0.25	± ---	CHECKED BY DATE		MATERIAL NO. 743201304	DOCUMENT NO. SD-74320-050	SHEET NO. 2 OF 2
		1 PLACE	± 0.25	± ---	APPROVED BY DATE		THIS DRAWING CONTAINS INFORMATION THAT IS PROPRIETARY TO MOLEX INCORPORATED AND SHOULD NOT BE USED WITHOUT WRITTEN PERMISSION		