



Chipsmall Limited consists of a professional team with an average of over 10 year of expertise in the distribution of electronic components. Based in Hongkong, we have already established firm and mutual-benefit business relationships with customers from,Europe,America and south Asia,supplying obsolete and hard-to-find components to meet their specific needs.

With the principle of "Quality Parts,Customers Priority,Honest Operation,and Considerate Service",our business mainly focus on the distribution of electronic components. Line cards we deal with include Microchip,ALPS,ROHM,Xilinx,Pulse,ON,Everlight and Freescale. Main products comprise IC,Modules,Potentiometer,IC Socket,Relay,Connector.Our parts cover such applications as commercial,industrial, and automotives areas.

We are looking forward to setting up business relationship with you and hope to provide you with the best service and solution. Let us make a better world for our industry!



Contact us

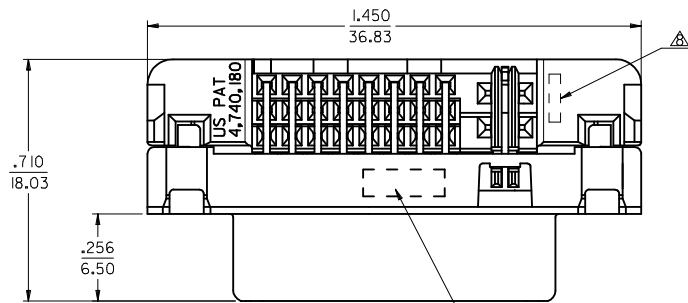
Tel: +86-755-8981 8866 Fax: +86-755-8427 6832

Email & Skype: info@chipsmall.com Web: www.chipsmall.com

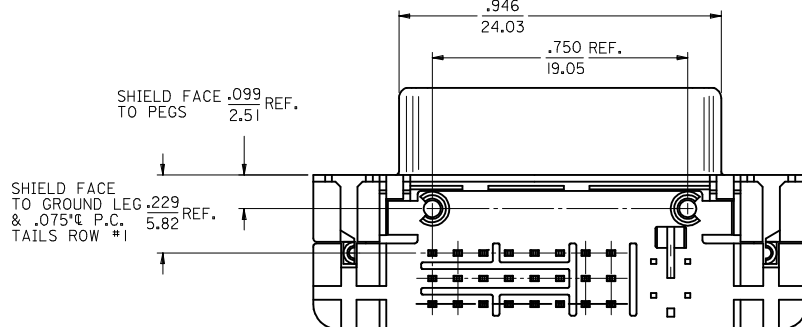
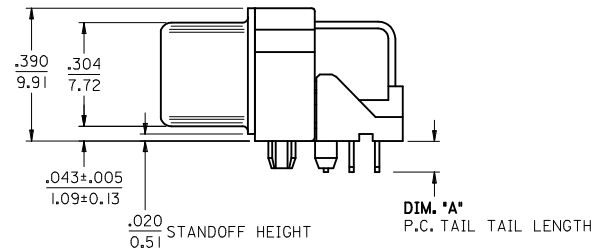
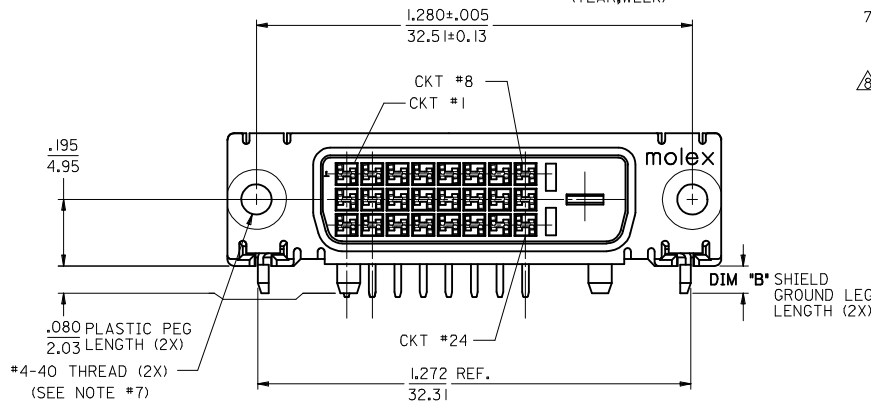
Address: A1208, Overseas Decoration Building, #122 Zhenhua RD., Futian, Shenzhen, China



10 9 8 7 6 5 4 3 2 1



- NOTES:
- MATERIAL:
 - SHIELD: DEEP DRAW STEEL;
 - HOUSING: LCP, UL94V-0, NATURAL (WHITE);
 - TAIL ALIGNER: LCP, UL94V-0, NATURAL (WHITE);
 - CONTACT: COPPER ALLOY.
 - PLATING: SEE SHEET 2.
 - PRODUCT CONFORMS TO MOLEX PRODUCT SPECIFICATION NUMBER PS-74320-001. REFER TO THIS SPECIFICATION FOR SPACING ON A P.C.B. OF TWO OR MORE CONNECTORS WHEN USING A CABLE OR AN ADAPTER ASSEMBLY.
 - SEE SHEET 2 FOR RECOMMENDED PANEL CUT-OUT AND P.C.B. LAYOUT.
 - PARTS WILL BE PACKAGED IN TRAYS PER PK-74320-010.
 - PRODUCT CONFORMS TO DDWG DVI SPECIFICATION. REFER TO THIS SPECIFICATION FOR CONNECTOR MATING DIMENSIONS.
 - RECOMMENDED MOUNTING HARDWARE IS MOLEX P/N 71781-0001 OR 82007-0300 OR 88780-6066. REFER TO PRODUCT SPECIFICATION NUMBER PS-74320-001 FOR THIS APPLICATION TORQUE REQUIREMENT FOR ASSMBLING MOUNTING HARDWARE.
- ⚠ CAVITY ID AND MANUFACTURING PLANT CODE.



PART NUMBER	PLATING OPTION	DIM A	DIM B
74320-4000	1	0.092/2.34	0.080±0.020
74320-4001	1	0.050/1.27	2.03±0.51
74320-4003	1	0.123/3.12	0.110/2.79
74320-4004	2	0.092/2.34	0.080±0.020
74320-4005	2	0.050/1.27	2.03±0.51
74320-4016	2	0.110/2.79	0.110/2.79
74320-4007	2	0.123/3.12	0.110/2.79

REVISED
 EC NO: SH2015-0200
 DRWN: XQZHANG 2014/12/10
 CHKD: XQZHANG 2014/12/10
 APPR: AYIN 2015/02/09

QUALITY SYMBOLS
 $F_A = 0$
 $F_C = 0$
 $F_P = 0$

GENERAL TOLERANCES (UNLESS SPECIFIED)

	mm	INCH
4 PLACES	± ---	± ---
3 PLACES	± ---	± 0.010
2 PLACES	± 0.25	± 0.010
1 PLACE	± 0.25	± 0.010
0 PLACE	± ---	± ---

ANGULAR ±0.5°
 DRAFT WHERE APPLICABLE MUST REMAIN WITHIN DIMENSIONS

DIMENSION STYLE
 IN/MM

DRAWN BY: XQZHANG
 DATE: 2014/12/10

CHECKED BY: XQZHANG
 DATE: 2014/12/10

APPROVED BY: AYIN
 DATE: 2015/02/09

MATERIAL NO.
 SEE TABLE

SCALE 1:1
 DESIGN UNITS INCH
 THIRD ANGLE PROJECTION

TITLE
 DVI - DIGITAL RIGHT ANGLE RECEPTACLE CONNECTOR

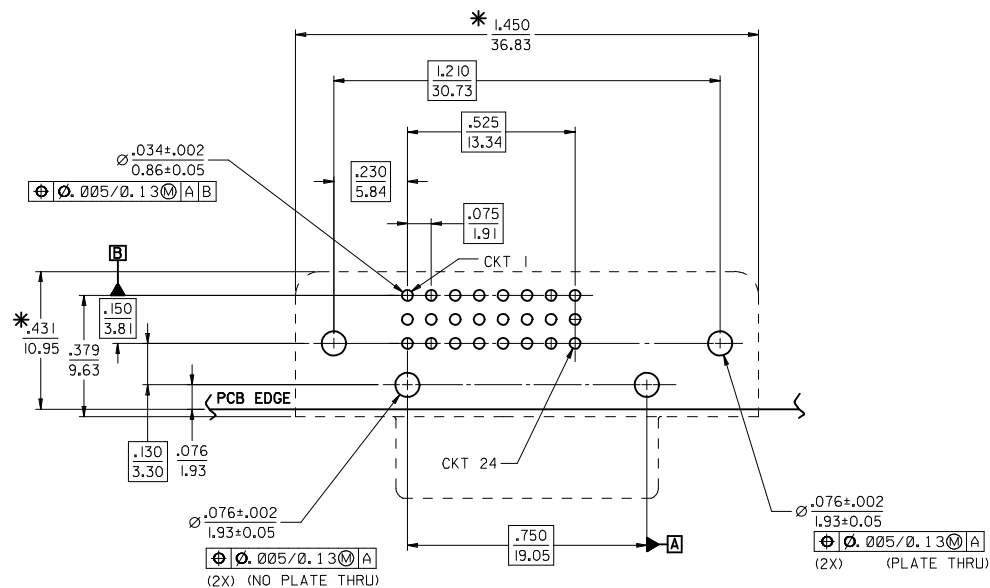
molex

DOCUMENT NO. SD-74320-003
 SHEET NO. 1 OF 2

THIS DRAWING CONTAINS INFORMATION THAT IS PROPRIETARY TO MOLEX INCORPORATED AND SHOULD NOT BE USED WITHOUT WRITTEN PERMISSION

9 8 7 6 5 4 3 2 1

10 9 8 7 6 5 4 3 2 1



RECOMMENDED PCB LAYOUT

*THESE DIMENSIONS REPRESENT CONNECTOR OVERLAY ON PCB.

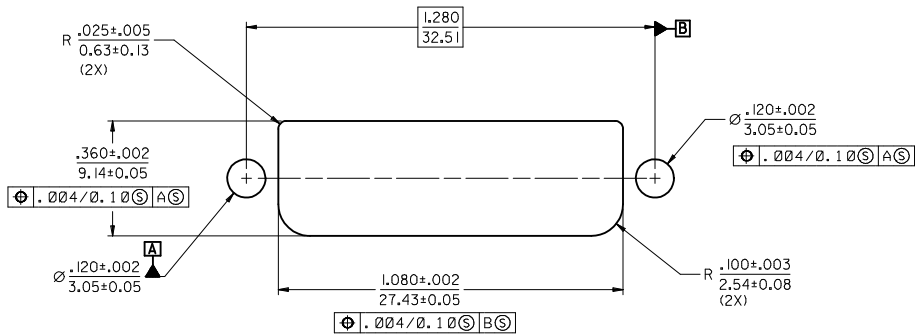
PLATING OPTIONS:

PLATING OPTION #1:

OUTER SHIELD -- 150u"/(3.75um) MIN. BRIGHT TIN OVER
 50u"/(1.27um) MIN. NICKEL OVER COPPER FLASH.
 .075"/(1.91mm) CONTACTS -- 30u"/(0.75um) MIN. SELECT GOLD AND
 100u"/(2.50um) MIN. SELECT PURE TIN
 OVER 50u"/(1.27um) MIN. NICKEL OVERALL.

PLATING OPTION #2:

OUTER SHIELD -- 150u"/(3.75um) MIN. BRIGHT TIN OVER
 50u"/(1.27um) MIN. NICKEL OVER COPPER FLASH.
 .075"/(1.91mm) CONTACTS -- SELECT GOLD FLASH AND
 100u"/(2.50um) MIN. SELECT PURE TIN
 OVER 50u"/(1.27um) MIN. NICKEL OVERALL.



RECOMMENDED PANEL CUT-OUT
 PANEL THICKNESS: .030" - .040"

SEE SHEET 1 EC NO: SH2015-0200 DRWN:XQZHANG 2014/12/10 CHKD:XQZHANG 2014/12/10 APPR:AYIN 2015/02/09	QUALITY SYMBOLS	GENERAL TOLERANCES (UNLESS SPECIFIED)		DIMENSION STYLE	SCALE	DESIGN UNITS	THIRD ANGLE PROJECTION	
	$F_A=0$	mm	INCH	IN/MM	1:1	INCH		
	$F_C=0$	4 PLACES ± --- ± ---	3 PLACES ± --- ± 0.010	2 PLACES ± 0.25 ± 0.010	1 PLACE ± 0.25 ± 0.010	0 PLACE ± --- ± ---	DRAWN BY XQZHANG DATE 2014/12/10	
	$F_P=0$	ANGULAR ±0.5°		DRAFT WHERE APPLICABLE MUST REMAIN WITHIN DIMENSIONS		CHECKED BY XQZHANG DATE 2014/12/10		APPROVED BY AYIN DATE 2015/02/09
		MATERIAL NO.		DOCUMENT NO.		TITLE		
		SEE SHEET 1		SD-74320-003		DVI - DIGITAL RIGHT ANGLE RECEPTACLE CONNECTOR		
		THIS DRAWING CONTAINS INFORMATION THAT IS PROPRIETARY TO MOLEX INCORPORATED AND SHOULD NOT BE USED WITHOUT WRITTEN PERMISSION		MATERIAL NO.		SHEET NO.		
		SIZE A3		SD-74320-003		2 OF 2		

9 8 7 6 5 4 3 2 1