



Chipsmall Limited consists of a professional team with an average of over 10 year of expertise in the distribution of electronic components. Based in Hongkong, we have already established firm and mutual-benefit business relationships with customers from,Europe,America and south Asia,supplying obsolete and hard-to-find components to meet their specific needs.

With the principle of “Quality Parts,Customers Priority,Honest Operation,and Considerate Service”,our business mainly focus on the distribution of electronic components. Line cards we deal with include Microchip,ALPS,ROHM,Xilinx,Pulse,ON,Everlight and Freescale. Main products comprise IC,Modules,Potentiometer,IC Socket,Relay,Connector.Our parts cover such applications as commercial,industrial, and automotives areas.

We are looking forward to setting up business relationship with you and hope to provide you with the best service and solution. Let us make a better world for our industry!



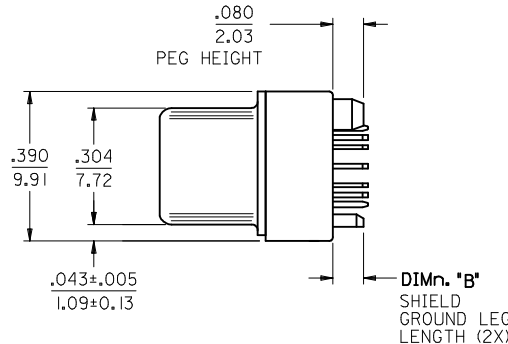
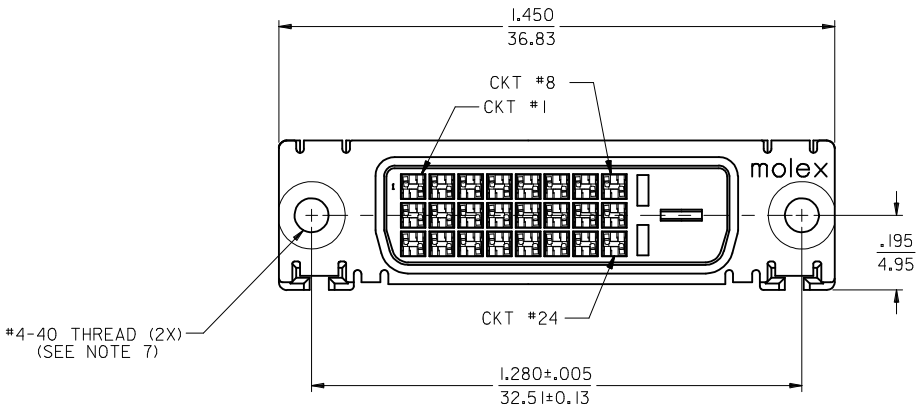
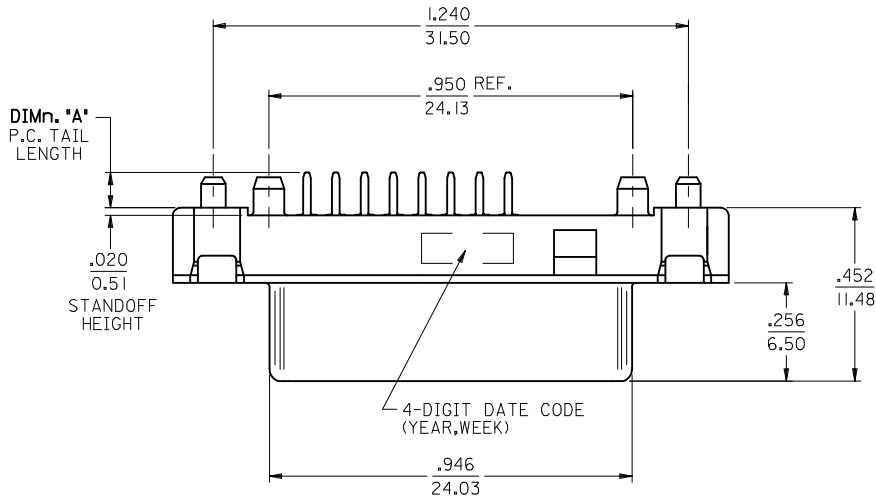
## Contact us

Tel: +86-755-8981 8866 Fax: +86-755-8427 6832

Email & Skype: info@chipsmall.com Web: www.chipsmall.com

Address: A1208, Overseas Decoration Building, #122 Zhenhua RD., Futian, Shenzhen, China





NOTES:

- MATERIALS:  
SHIELD -- DEEP DRAW STEEL.  
HOUSING -- GLASS FILLED POLYMER, NATURAL (WHITE), UL 94v-0.  
CONTACTS -- COPPER ALLOY.
- PLATING: SEE SHEET 2.
- PRODUCT CONFORMS TO MOLEX PRODUCT SPECIFICATION NUMBER PS-74320-001.
- SEE SHEET 2 FOR RECOMMENDED PANEL CUT-OUT AND P.C.B. LAYOUT.
- PARTS WILL BE PACKAGED IN TRAYS PER PK-74320-010.
- PRODUCT CONFORMS TO DDWG DVI SPECIFICATION. REFER TO THIS SPECIFICATION FOR CONNECTOR MATING DIMENSIONS.
- RECOMMENDED MOUNTING HARDWARE IS MOLEX P/N 71781-0001 OR 82007-0300 OR 88780-6066. REFER TO PRODUCT SPECIFICATION NUMBER PS-74320-001 FOR THE APPLICATION TORQUE REQUIREMENT FOR ASSEMBLING MOUNTING HARDWARE.

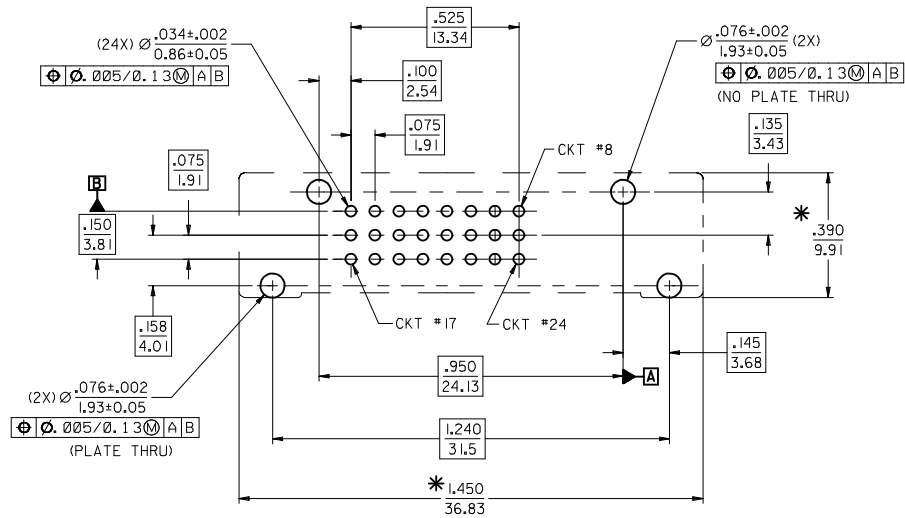
PART NUMBER	DIMn 'A'	DIMn 'B'	PLATING OPTION
74320-5000	.092/2.34	.080/2.03	1
74320-5001	.050/1.27	.080/2.03	1
74320-5004	.092/2.34	.080/2.03	2
74320-5005	.050/1.27	.080/2.03	2
74320-5006	.110/2.79	.110/2.79	2

REV	DESCRIPTION
REVISE	EC NO: SH2010-0059
DRWN: XJSONG	2009/08/18
CHKD: XJSONG	2009/08/19
APPR: RZHANG	2009/09/28

QUALITY SYMBOLS	GENERAL TOLERANCES (UNLESS SPECIFIED)
▽=0	mm INCH
▽=0	4 PLACES ± --- ± ---
	3 PLACES ± 0.25 ± .010
	2 PLACES ± 0.25 ± .010
	1 PLACE ± 0.25 ± .010
	ANGULAR ± ---°

DIMENSION STYLE	SCALE	DESIGN UNITS	THIRD ANGLE PROJECTION
IN/MM	INCH	INCH	THIRD ANGLE PROJECTION

TITLE	MATERIAL NO.	DOCUMENT NO.	SHEET NO.
DVI-DIGITAL VERTICAL RECEPTACLE CONNECTOR	SEE CHART	SD-74320-004	1 OF 2



RECOMMENDED PCB LAYOUT

\* THESE DIMENSIONS REPRESENT CONNECTOR OVERLAY ON PCB.

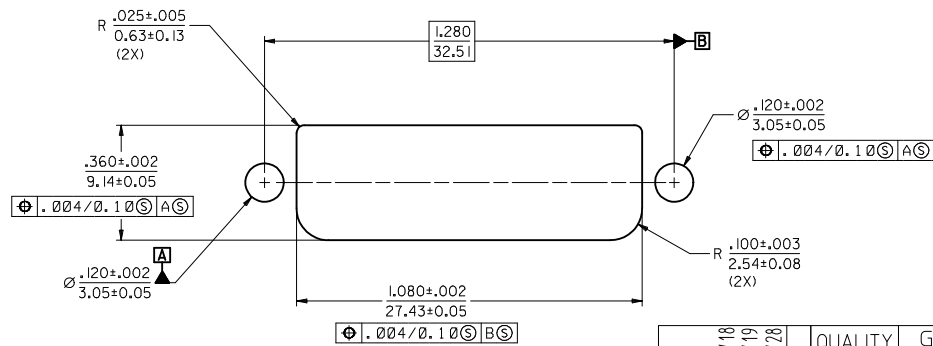
PLATING OPTIONS:

PLATING OPTION #1:

- OUTER SHIELD -- 150u"/3.75um MIN. BRIGHT TIN OVER
- 50u"/1.27um MIN. NICKEL OVER COPPER FLASH.
- .075"/1.91mm CONTACTS -- 30u"/0.75um MIN. SELECT GOLD AND
- 100u"/2.50um MIN. SELECT PURE TIN
- OVER 50u"/1.27um MIN. NICKEL OVERALL.

PLATING OPTION #2:

- OUTER SHIELD -- 150u"/3.75um MIN. BRIGHT TIN OVER
- 50u"/1.27um MIN. NICKEL OVER COPPER FLASH.
- .075"/1.91mm CONTACTS -- SELECT GOLD FLASH AND
- 100u"/2.50um MIN. SELECT PURE TIN
- OVER 50u"/1.27um MIN. NICKEL OVERALL.



RECOMMENDED PANEL CUT-OUT  
 PANEL THICKNESS: .030/0.76 - .040/1.02

SEE SHEET1	EC NO: SHZ010-0059	2009/08/18
	DRWN: XJSONG	2009/08/19
	CHKD: XJSONG	2009/08/19
	APPR: RZHANG	2009/09/28

REV	DESCRIPTION
▽=0	QUALITY SYMBOLS
◁=0	

GENERAL TOLERANCES (UNLESS SPECIFIED)	
	mm INCH
4 PLACES	± --- ± ---
3 PLACES	± 0.25 ± 0.10
2 PLACES	± 0.25 ± 0.10
1 PLACE	± 0.25 ± 0.10
ANGULAR ± ---°	
DRAFT WHERE APPLICABLE MUST REMAIN WITHIN DIMENSIONS	

DIMENSION STYLE	
IN/MM	
DRAWN BY	DATE
MOSULL IV	99/02/12
CHECKED BY	DATE
MOSULL IV	99/02/12
APPROVED BY	DATE
NELLIGAN	99/02/15
MATERIAL NO.	
SEE CHART	

SCALE	DESIGN UNITS	THIRD ANGLE PROJECTION
1:1	INCH	
TITLE		
DVI-DIGITAL VERTICAL RECEPTACLE CONNECTOR		
MOLEX INCORPORATED		
DOCUMENT NO.	SHEET NO.	
SD-74320-004	2 OF 2	
THIS DRAWING CONTAINS INFORMATION THAT IS PROPRIETARY TO MOLEX INCORPORATED AND SHOULD NOT BE USED WITHOUT WRITTEN PERMISSION		