



Chipsmall Limited consists of a professional team with an average of over 10 year of expertise in the distribution of electronic components. Based in Hongkong, we have already established firm and mutual-benefit business relationships with customers from,Europe,America and south Asia,supplying obsolete and hard-to-find components to meet their specific needs.

With the principle of “Quality Parts,Customers Priority,Honest Operation,and Considerate Service”,our business mainly focus on the distribution of electronic components. Line cards we deal with include Microchip,ALPS,ROHM,Xilinx,Pulse,ON,Everlight and Freescale. Main products comprise IC,Modules,Potentiometer,IC Socket,Relay,Connector.Our parts cover such applications as commercial,industrial, and automotives areas.

We are looking forward to setting up business relationship with you and hope to provide you with the best service and solution. Let us make a better world for our industry!



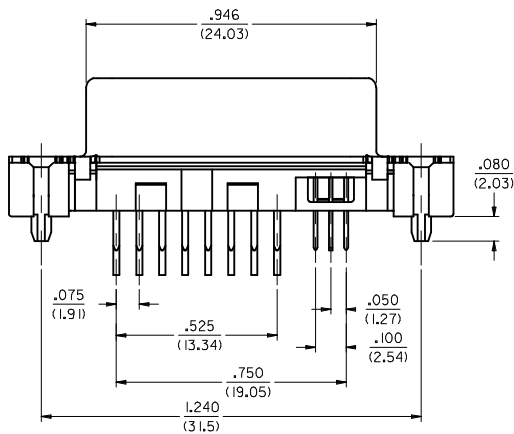
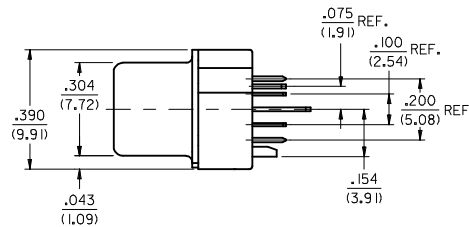
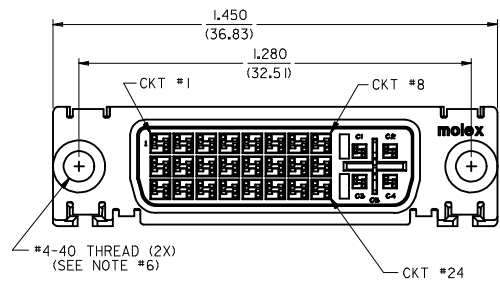
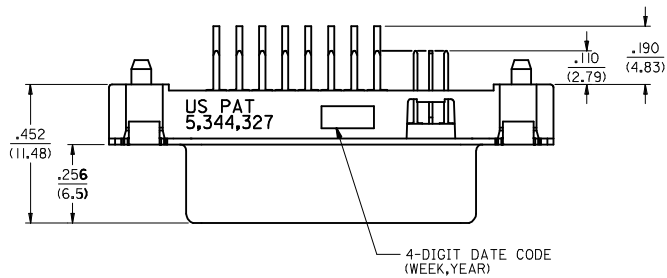
Contact us

Tel: +86-755-8981 8866 Fax: +86-755-8427 6832

Email & Skype: info@chipsmall.com Web: www.chipsmall.com

Address: A1208, Overseas Decoration Building, #122 Zhenhua RD., Futian, Shenzhen, China





NOTES:

- MATERIAL:
 - SHIELD: DEEP DRAW STEEL;
 - HOUSING: LCP, UL94V-0, NATURAL (WHITE);
 - CONTACT: COPPER ALLOY.
- PLATING:
 - OUTER SHIELD: 150u"/(3.75um) MIN. BRIGHT TIN OVER 50u"/(1.27um) MIN. NICKEL OVER COPPER FLASH.
 - 0.075"/(1.91mm) CONTACTS: SELECT GOLD FLASH AND 100u"/(2.50um) MIN. SELECT PURE TIN OVER 50u"/(1.27um) MIN. NICKEL OVERALL.
 - 0.100"/(2.54mm) CONTACTS: SELECT GOLD FLASH AND 100u"/(2.50um) MIN. SELECT PURE TIN OVER 50u"/(1.27um) MIN. NICKEL OVERALL.
- PRODUCT CONFORMS TO MOLEX PRODUCT SPECIFICATION NUMBER PS-74320-001.
- PARTS WILL BE PACKAGED IN TRAYS PER PK-74320-010.
- PRODUCT CONFORMS TO DDWG DVI SPECIFICATION. REFER TO THIS SPECIFICATION FOR CONNECTOR MATING DIMENSIONS.
- REFER TO PRODUCT SPECIFICATION NUMBER PS-74320-001 FOR THIS APPLICATION TORQUE REQUIREMENT.

| | | | | | | | | | | | | | |
|--|------------|---------------|------------|---|---------------------------------------|----------------------------|--------------------------|---|---|--|------------------------|--|--|
| REVISED EC NO: SH2015-0200 DRWN:XQZHANG CHKD:XQZHANG APPR:AYIN | 2014/12/11 | 2014/12/11 | 2015/02/09 | QUALITY SYMBOLS $\nabla F = 0$ $\nabla F = 0$ $\nabla F = 0$ | GENERAL TOLERANCES (UNLESS SPECIFIED) | | DIMENSION STYLE IN/MM | | SCALE 1:1 | DESIGN UNITS INCH | THIRD ANGLE PROJECTION | | |
| | | | | | mm | INCH | DRAWN BY XQZHANG | DATE 2014/12/11 | TITLE DVI-I VERTICAL RECEPTACLE ASSEMBLY FOR ADAPTER | | | | |
| | | | | | 4 PLACES | ± --- | ± --- | CHECKED BY XQZHANG | DATE 2014/12/11 | molex DOCUMENT NO. SD-74320-010 SHEET NO. 1 OF 1 | | | |
| | | | | | 3 PLACES | ± --- | ± 0.010 | APPROVED BY AYIN | DATE 2015/02/09 | | | | |
| D | REV | ANGULAR ±0.5° | | DRAFT WHERE APPLICABLE MUST REMAIN WITHIN DIMENSIONS | | MATERIAL NO. 74320-6600 | | THIS DRAWING CONTAINS INFORMATION THAT IS PROPRIETARY TO MOLEX INCORPORATED AND SHOULD NOT BE USED WITHOUT WRITTEN PERMISSION | | | | | |