



Chipsmall Limited consists of a professional team with an average of over 10 year of expertise in the distribution of electronic components. Based in Hongkong, we have already established firm and mutual-benefit business relationships with customers from,Europe,America and south Asia,supplying obsolete and hard-to-find components to meet their specific needs.

With the principle of “Quality Parts,Customers Priority,Honest Operation,and Considerate Service”,our business mainly focus on the distribution of electronic components. Line cards we deal with include Microchip,ALPS,ROHM,Xilinx,Pulse,ON,Everlight and Freescale. Main products comprise IC,Modules,Potentiometer,IC Socket,Relay,Connector.Our parts cover such applications as commercial,industrial, and automotives areas.

We are looking forward to setting up business relationship with you and hope to provide you with the best service and solution. Let us make a better world for our industry!



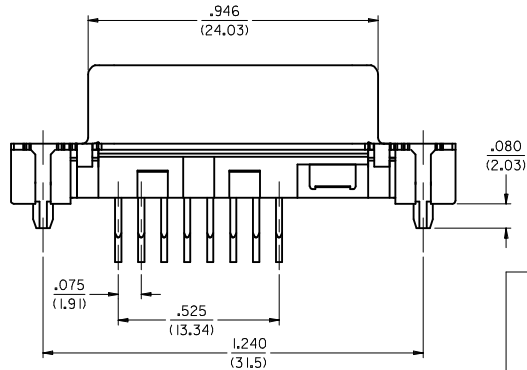
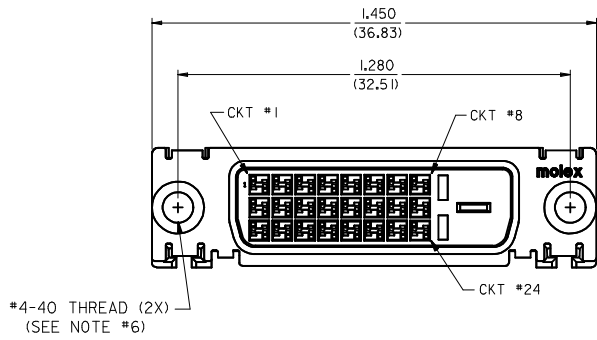
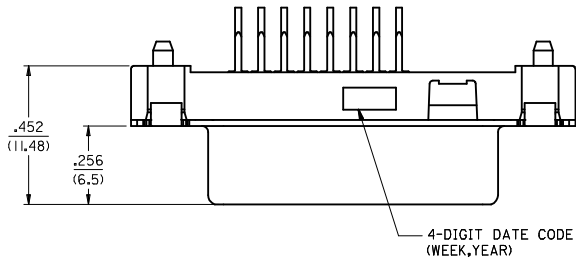
## Contact us

Tel: +86-755-8981 8866 Fax: +86-755-8427 6832

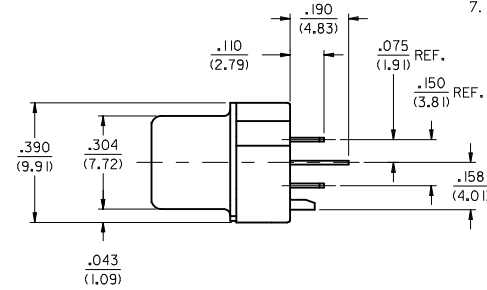
Email & Skype: info@chipsmall.com Web: www.chipsmall.com

Address: A1208, Overseas Decoration Building, #122 Zhenhua RD., Futian, Shenzhen, China





PART NUMBER	PLATING OPTION
74320-7000	1
74320-7001	2



NOTES:

- MATERIAL:  
SHIELD: DEEP DRAW STEEL;  
HOUSING: LCP, UL94V-0, NATURAL (WHITE);  
CONTACT: COPPER ALLOY.
- PLATING OPTION #1:  
OUTER SHIELD: 150u"/(3.75um) MIN. BRIGHT TIN OVER  
50u"/(1.27um) MIN. NICKEL OVER COPPER FLASH.  
0.075"/(1.91mm) CONTACTS: SELECT GOLD FLASH AND  
100u"/(2.50um) MIN. SELECT PURE TIN  
OVER 50u"/(1.27um) MIN. NICKEL OVERALL.
- PLATING OPTION #2:  
OUTER SHIELD: 150u"/(3.75um) MIN. BRIGHT TIN OVER  
50u"/(1.27um) MIN. NICKEL OVER COPPER FLASH.  
0.075"/(1.91mm) CONTACTS: 30u"/(0.75um) MIN. SELECT GOLD AND  
100u"/(2.50um) MIN. SELECT PURE TIN  
OVER 50u"/(1.27um) MIN. NICKEL OVERALL.
- PRODUCT CONFORMS TO MOLEX PRODUCT SPECIFICATION NUMBER PS-74320-001.
- PARTS WILL BE PACKAGED IN TRAYS PER PK-74320-010.
- PRODUCT CONFORMS TO DDWG DVI SPECIFICATION. REFER TO THIS SPECIFICATION FOR CONNECTOR MATING DIMENSIONS.
- REFER TO PRODUCT SPECIFICATION NUMBER PS-74320-001 FOR THIS APPLICATION TORQUE REQUIREMENT.

REVISED	EC NO: SH2015-0200	DRWN: XQZHANG	2014/12/11	CHKD: XQZHANG	2014/12/11	APPR: AYIN	2015/02/09	DESCRIPTION	QUALITY SYMBOLS		GENERAL TOLERANCES (UNLESS SPECIFIED)		DIMENSION STYLE		SCALE	DESIGN UNITS	THIRD ANGLE PROJECTION	TITLE
									F <sub>A</sub> =0	F <sub>B</sub> =0	F <sub>C</sub> =0	mm	INCH	IN/MM	1:1	INCH	INCH	
											4 PLACES	± ---	± ---	DRAWN BY	DATE			DVI - DIGITAL VERTICAL RECEPTACLE ASSEMBLY FOR ADAPTER
											3 PLACES	± ---	± 0.010	XQZHANG	2014/12/11			
											2 PLACES	± 0.25	± 0.010	XQZHANG	2014/12/11			molex
											1 PLACE	± 0.25	± 0.010	APPROVED BY	DATE			
											0 PLACE	± ---	± ---	AYIN	2015/02/09			SD-74320-011
											ANGULAR ±0.5°		MATERIAL NO.					
											DRAFT WHERE APPLICABLE MUST REMAIN WITHIN DIMENSIONS		SEE TABLE		DOCUMENT NO.			SHEET NO.
																		1 OF 1