



Chipsmall Limited consists of a professional team with an average of over 10 year of expertise in the distribution of electronic components. Based in Hongkong, we have already established firm and mutual-benefit business relationships with customers from,Europe,America and south Asia,supplying obsolete and hard-to-find components to meet their specific needs.

With the principle of “Quality Parts,Customers Priority,Honest Operation,and Considerate Service”,our business mainly focus on the distribution of electronic components. Line cards we deal with include Microchip,ALPS,ROHM,Xilinx,Pulse,ON,Everlight and Freescale. Main products comprise IC,Modules,Potentiometer,IC Socket,Relay,Connector.Our parts cover such applications as commercial,industrial, and automotives areas.

We are looking forward to setting up business relationship with you and hope to provide you with the best service and solution. Let us make a better world for our industry!



Contact us

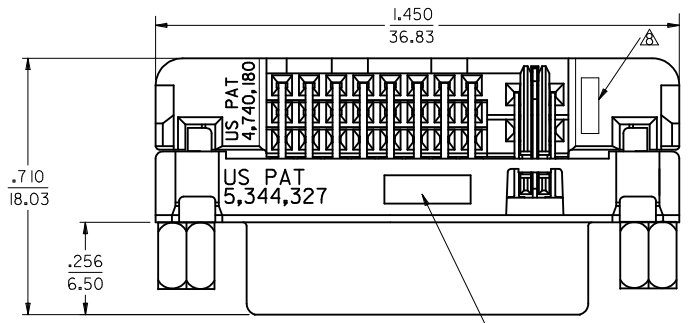
Tel: +86-755-8981 8866 Fax: +86-755-8427 6832

Email & Skype: info@chipsmall.com Web: www.chipsmall.com

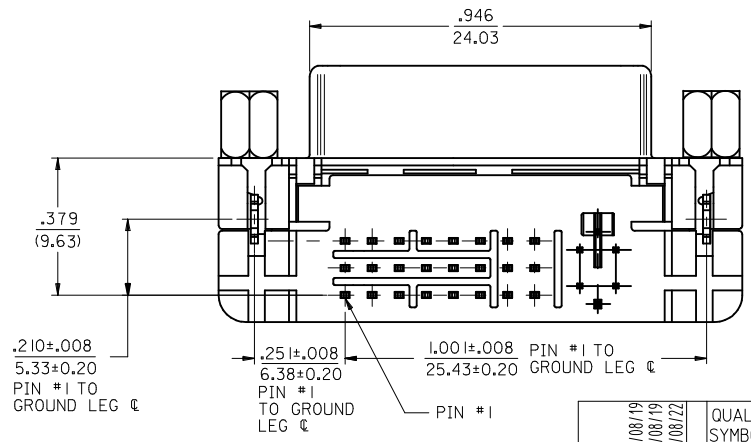
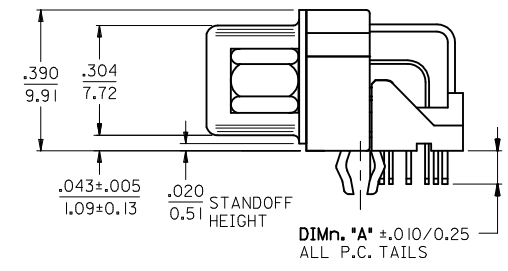
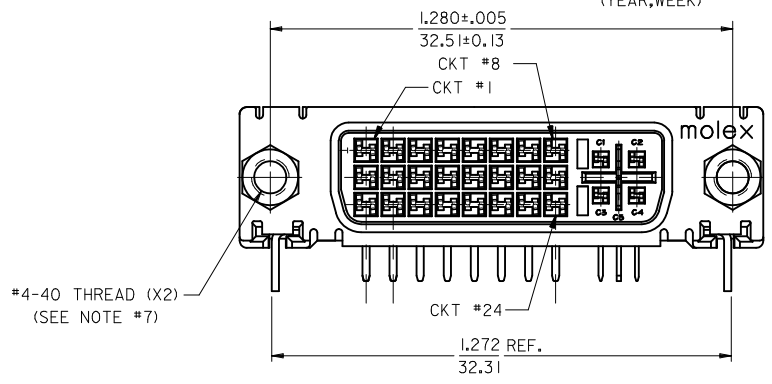
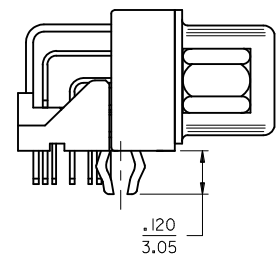
Address: A1208, Overseas Decoration Building, #122 Zhenhua RD., Futian, Shenzhen, China



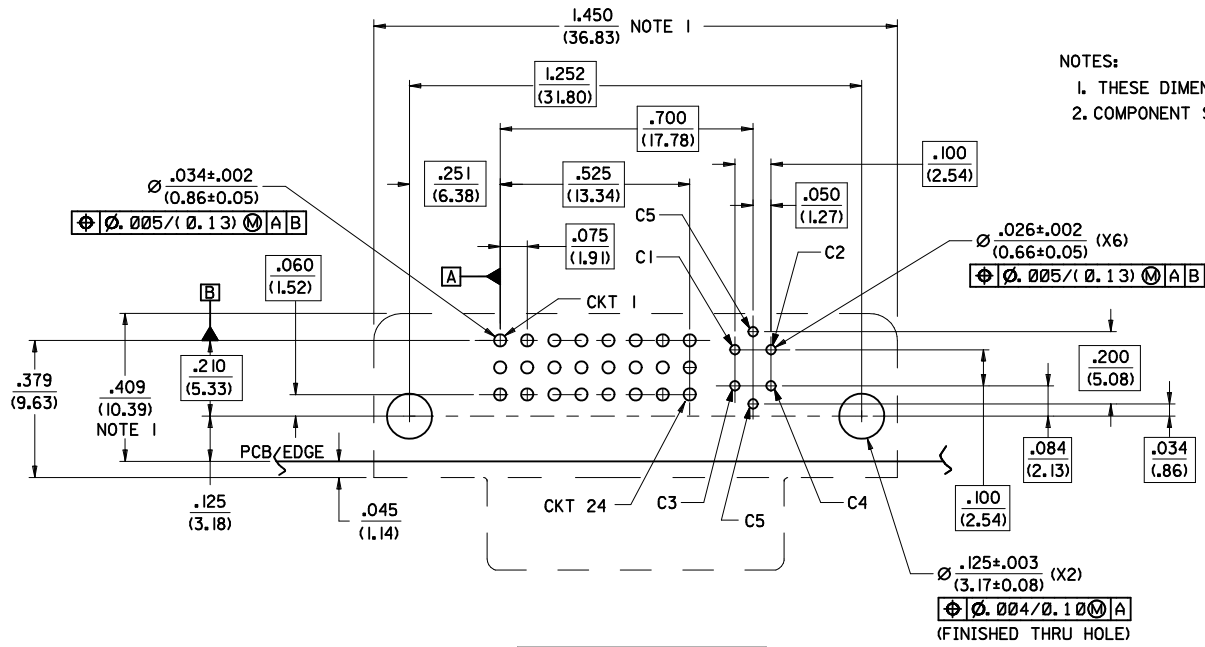
PART NUMBER	DIM "A"	PLATING OPTION
74320-9034	.092/2.34	2
74320-9033	.092/2.34	1



- NOTES:
- MATERIALS:
 SHIELD -- DEEP DRAW STEEL.
 HOUSING -- GLASS FILLED POLYMER, WHITE/NATURAL, UL 94V-0.
 TAIL ALIGNER -- GLASS FILLED POLYMER, WHITE/NATURAL, UL 94V-0.
 CONTACTS -- COPPER ALLOY.
 MICROGROUND -- COPPER ALLOY.
 - PLATING: SEE SHEET 2
 - PRODUCT CONFORMS TO MOLEX PRODUCT SPECIFICATION NUMBER PS-74320-001.
 - SEE SHEET 2 FOR RECOMMENDED PANEL CUT-OUT AND P.C.B. LAYOUT.
 - PARTS WILL BE PACKAGED IN TRAYS PER PK-74320-044.
 - PRODUCT CONFORMS TO DDWG DVI SPECIFICATION. REFER TO THIS SPECIFICATION FOR CONNECTOR MATING DIMENSIONS.
 - MOUNTING HARDWARE IS MOLEX P/N 88780-6066. REFER TO PRODUCT SPECIFICATION NUMBER PS-74320-001 FOR THE APPLICATION TORQUE REQUIREMENT FOR ASSEMBLING MOUNTING HARDWARE.
- △ CAVITY NO. AND MANUFACTURING PLANT CODE.

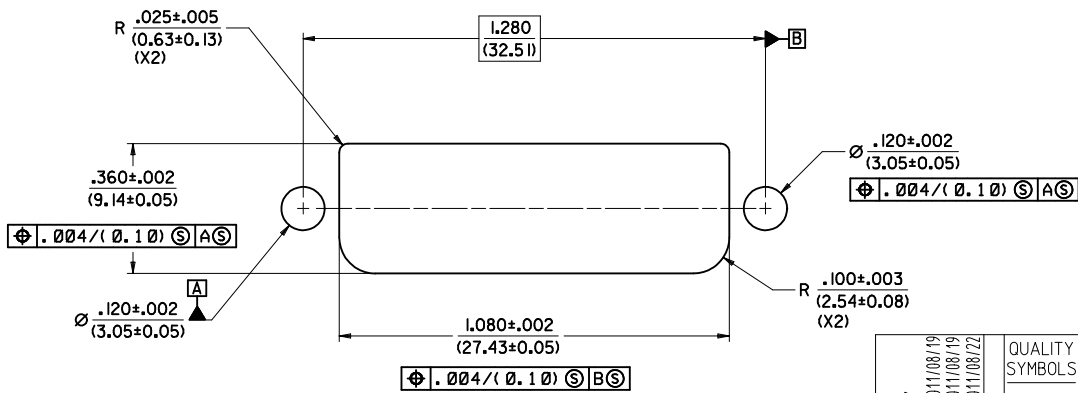


REV	DESCRIPTION	QUALITY SYMBOLS		GENERAL TOLERANCES (UNLESS SPECIFIED)		DIMENSION STYLE		SCALE	DESIGN UNITS	THIRD ANGLE PROJECTION
		mm	INCH	mm	INCH	IN/MM	1:1	INCH		
REVISE	EC NO: SH2012-0047	▽=0	▽=0	4 PLACES ±---	±---	DRAWN BY	DATE	TITLE		
D	DRWN:XJ SONG 2011/08/19	▽=0	▽=0	3 PLACES ±---	±.010	TONY	03/03/04	DVI-I RIGHT ANGLE RECEPTACLE CONNECTOR W/FORKLOCK		
	CHKD:XJ SONG 2011/08/19	▽=0	▽=0	2 PLACES ±0.25	±.010	CHECKED BY	DATE			
	APPR:RZHANG 2011/08/22			1 PLACE ±0.25	±.010	WU YAJUN	03/03/18			
				ANGULAR ±1/2°		APPROVED BY	DATE			
				DRAFT WHERE APPLICABLE MUST REMAIN WITHIN DIMENSIONS		RZHANG	2011/08/22			
						MATERIAL NO.				
						SEE TABLE				
						SIZE A2				
						THIS DRAWING CONTAINS INFORMATION THAT IS PROPRIETARY TO MOLEX INCORPORATED AND SHOULD NOT BE USED WITHOUT WRITTEN PERMISSION				



NOTES:
 1. THESE DIMENSIONS REPRESENT CONNECTOR OVERLAY ON PCB.
 2. COMPONENT SIDE OF PCB SHOWN.

RECOMMENDED PCB LAYOUT



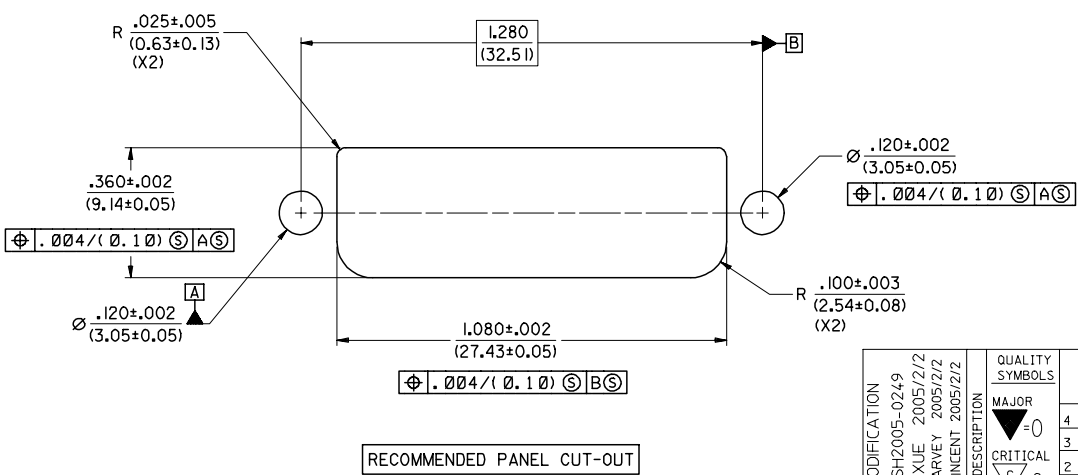
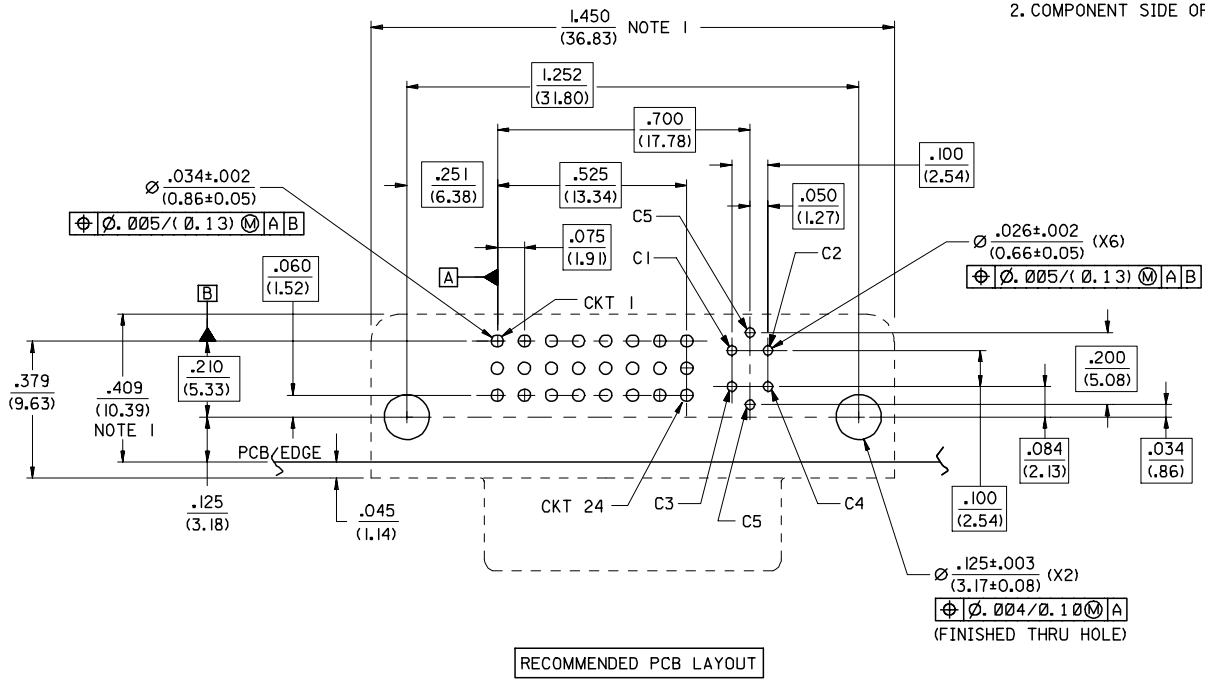
NOTE:
 1. PANEL THICKNESS: .030" - .040".

RECOMMENDED PANEL CUT-OUT

PLATING OPTIONS:
PLATING OPTION #1:
 OUTER SHIELD -- 150u"/(3.75um) MIN. BRIGHT TIN OVER 50u"/(1.27um) MIN. NICKEL OVER COPPER FLASH
 .075"/(1.9mm) CONTACTS -- 30u"/(0.75um) MIN. SELECT GOLD AND 100u"/(2.50um) MIN. SELECT PURE TIN OVER 50u"/(1.27um) MIN. NICKEL OVERALL.
PLATING OPTION #2:
 OUTER SHIELD -- 150u"/(3.75um) MIN. BRIGHT TIN OVER 50u"/(1.27um) MIN. NICKEL OVER COPPER FLASH
 .075"/(1.9mm) CONTACTS -- SELECT GOLD FLASH AND 100u"/(2.50um) MIN. SELECT PURE TIN OVER 50u"/(1.27um) MIN. NICKEL OVERALL.

SEE SHEET 1 EC NO: SH2012-0047 DRAWN: XJSONG 2011/08/19 CHKD: XJSONG 2011/08/19 APPR: RZHANG 2011/08/22	QUALITY SYMBOLS	GENERAL TOLERANCES (UNLESS SPECIFIED)		DIMENSION STYLE	SCALE	DESIGN UNITS	THIRD ANGLE PROJECTION	
	▽=0	mm	INCH	IN/MM	1:1	INCH		
	▽=0	4 PLACES ±---	±---					
	▽=0	3 PLACES ±---	±.010					
		2 PLACES ±0.25	±.010					
		1 PLACE ±0.25	±.010					
		ANGULAR ±1/2°						
		DRAFT WHERE APPLICABLE MUST REMAIN WITHIN DIMENSIONS						
		MATERIAL NO. SEE SHEET 1						
		DOCUMENT NO. SD-74320-025						
		SHEET NO. 2 OF 2						
		THIS DRAWING CONTAINS INFORMATION THAT IS PROPRIETARY TO MOLEX INCORPORATED AND SHOULD NOT BE USED WITHOUT WRITTEN PERMISSION						

NOTES:
 1. THESE DIMENSIONS REPRESENT CONNECTOR OVERLAY ON PCB.
 2. COMPONENT SIDE OF PCB SHOWN.



NOTE:
 1. PANEL THICKNESS: .030" - .040".

PLATING OPTIONS:
PLATING OPTION #1:
 OUTER SHIELD -- 150u"/(3.75um) MIN. BRIGHT TIN OVER 50u"/(1.27um) MIN. NICKEL OVER COPPER FLASH
 .075"/(1.91mm) CONTACTS -- 30u"/(0.75um) MIN. SELECT GOLD AND 100u"/(2.50um) MIN. SELECT PURE TIN OVER 50u"/(1.27um) MIN. NICKEL OVERALL.
PLATING OPTION #2:
 OUTER SHIELD -- 150u"/(3.75um) MIN. BRIGHT TIN OVER 50u"/(1.27um) MIN. NICKEL OVER COPPER FLASH
 .075"/(1.91mm) CONTACTS -- SELECT GOLD FLASH AND 100u"/(2.50um) MIN. SELECT PURE TIN OVER 50u"/(1.27um) MIN. NICKEL OVERALL.

MODIFICATION EC No. SH2005-0249 DRWN DXUE 2005/2/2 CHK: HARVEY 2005/2/2 APPR: VINCENT 2005/2/2	QUALITY SYMBOLS MAJOR CRITICAL	GENERAL TOLERANCES: (UNLESS SPECIFIED)		SCALE 4 : 1	DESIGN UNITS <input type="checkbox"/> mm <input checked="" type="checkbox"/> INCH	DIMENSIONS: <input type="checkbox"/> INCH ONLY <input type="checkbox"/> SHT <input type="checkbox"/> REV <input checked="" type="checkbox"/> mm <input checked="" type="checkbox"/> INCH <input type="checkbox"/> mm ONLY <input type="checkbox"/> mm ONLY <input type="checkbox"/> INCH ONLY	THIRD ANGLE PROJECTION	REVISION ON CAD ONLY	
		DRAWN BY & DATE TONY ZHANG 03/03/04		TITLE: DVI - I		RIGHT ANGLE W/FORKLOCK RECEPTACLE CONNECTOR			
		CHECKED BY & DATE WU YAJUN 03/03/18		APPROVED BY & DATE SAM HUANG 03/03/24		MOLEX INCORPORATED			
		ANGULAR: ± °		CAD FILENAME SD74320025.S02		MATERIAL NO. SEE SHEET 1		DRAWING NO. SD-74320-025	
DRAFT WHERE APPLICABLE MUST REMAIN WITHIN DIMENSIONS		THIS DRAWING CONTAINS INFORMATION THAT IS PROPRIETARY TO MOLEX INCORPORATED AND SHOULD NOT BE USED WITHOUT WRITTEN PERMISSION.							SIZE C