



Chipsmall Limited consists of a professional team with an average of over 10 year of expertise in the distribution of electronic components. Based in Hongkong, we have already established firm and mutual-benefit business relationships with customers from,Europe,America and south Asia,supplying obsolete and hard-to-find components to meet their specific needs.

With the principle of “Quality Parts,Customers Priority,Honest Operation,and Considerate Service”,our business mainly focus on the distribution of electronic components. Line cards we deal with include Microchip,ALPS,ROHM,Xilinx,Pulse,ON,Everlight and Freescale. Main products comprise IC,Modules,Potentiometer,IC Socket,Relay,Connector.Our parts cover such applications as commercial,industrial, and automotives areas.

We are looking forward to setting up business relationship with you and hope to provide you with the best service and solution. Let us make a better world for our industry!



Contact us

Tel: +86-755-8981 8866 Fax: +86-755-8427 6832

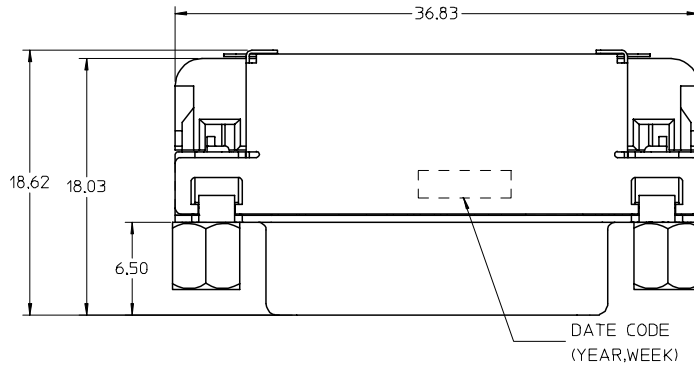
Email & Skype: info@chipsmall.com Web: www.chipsmall.com

Address: A1208, Overseas Decoration Building, #122 Zhenhua RD., Futian, Shenzhen, China



J
I
H
G
F
E
D
C
B
A

J
I
H
G
F
E
D
C
B
A



NOTES:

1.MATERIALS:

- FRONT SHIELD -- DEEP DRAW STEEL.
- BACK SHIELD -- STAINLESS STEEL.
- HOUSING --GLASS FILLED POLYMER,WHITE/NATURE,UL 94V-0.
- TAIL ALIGNER -- GLASS FILLED POLYMER,WHITE/NATURE,UL 94V-0.
- CONTACT -- COPPER ALLOY.
- MICROCROSS GROUND -- COPPER ALLOY.

2.PLATING : SEE SHEET 2

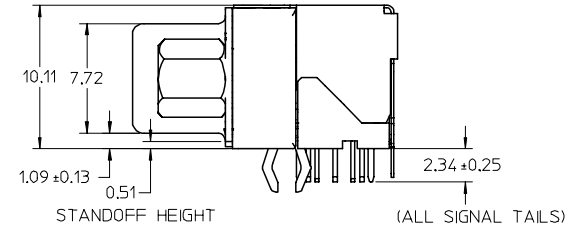
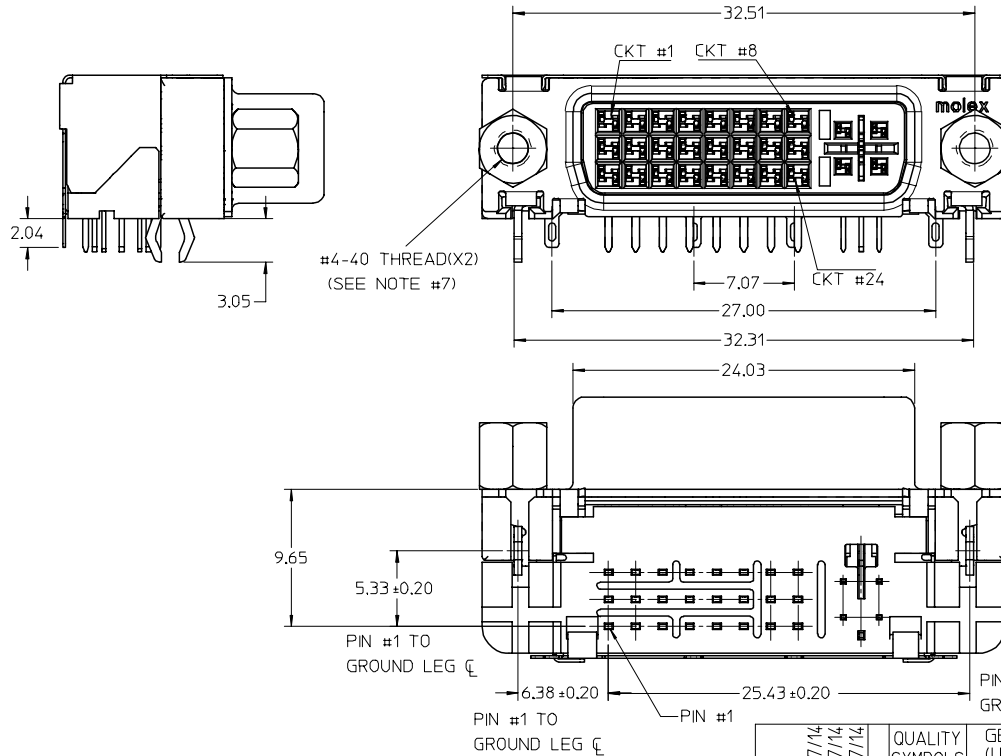
3.PRODUCT CONFORMS TO MOLEX PRODUCT SPECIFICATION NUMBER PS-74320-001

4.SEE SHEET 2 FOR RECOMMENDED PANEL CUT-OUT AND P.C.B.LAYOUT.

5.PARTS WILL BE PACKAGED IN TRAYS PER PK-74320-044.

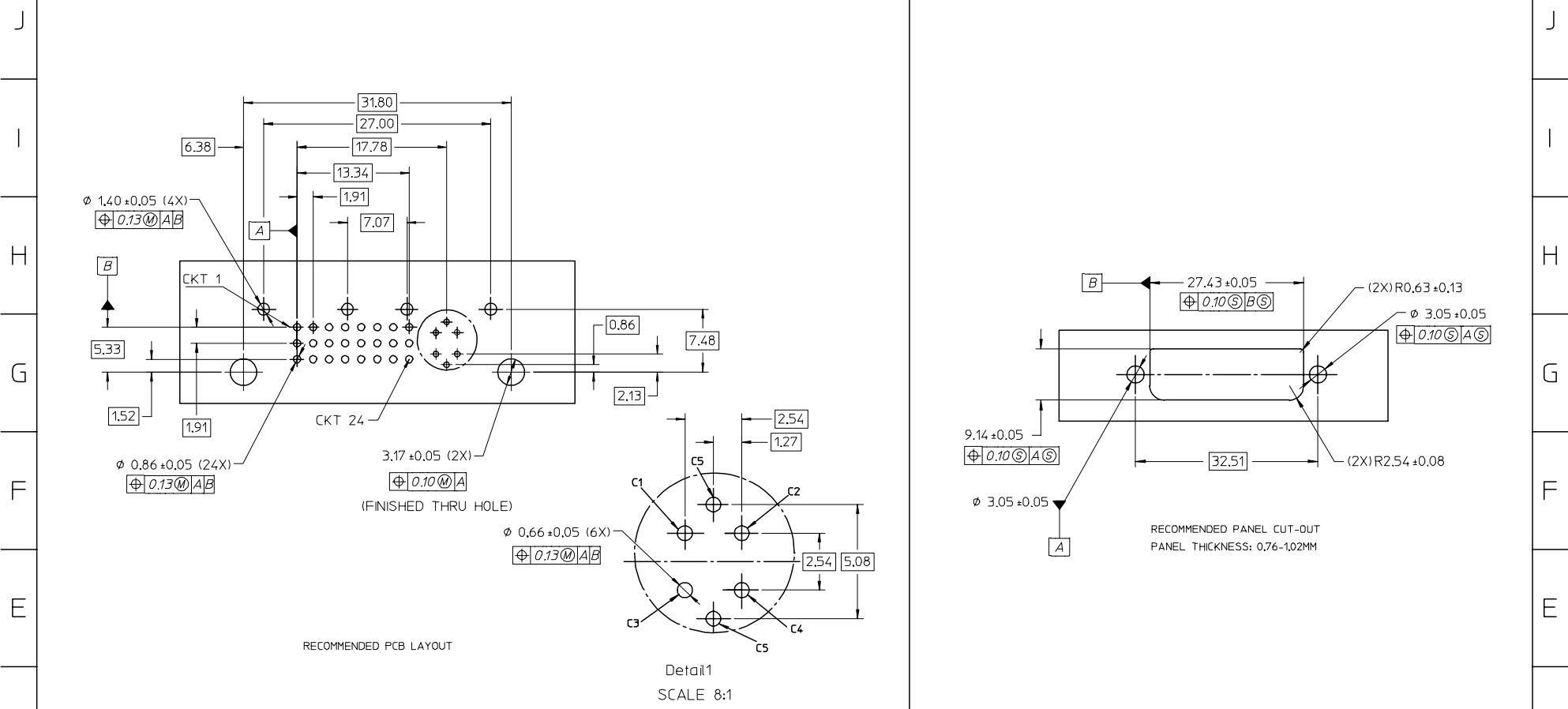
6.PRODUCT CONFIRMS TO DDWG DVI SPECIFICATION,REFER TO THIS SPECIFICATION FOR CONNECTOR MATING DIMENSIONS.

7.MOUNTING HARDWARE IS MOLEX P/N 88780-6066.REFER TO PRODUCT SPECIFICATION NUMBER PS-74320-001 FOR THE APPLICATION TORQUE REQUIREMENT FOR ASSEMBLING MOUNTING HARDWARE.



NEW RELEASE EC NO: SH2005-0004 DRAWN:DXUE 2004/07/14 CHKD: 2004/07/14 APPR:YTYAP 2004/07/14	DESCRIPTION REV	QUALITY SYMBOLS	GENERAL TOLERANCES (UNLESS SPECIFIED)	SCALE 4:1	DESIGN UNITS METRIC	THIRD ANGLE PROJECTION	REVISE ON CAD ONLY																
		▽ - 0 ◻ - 0	<table border="1"> <thead> <tr> <th></th> <th>mm</th> <th>INCH</th> </tr> </thead> <tbody> <tr> <td>4 PLACES</td> <td>± ---</td> <td>± ---</td> </tr> <tr> <td>3 PLACES</td> <td>± ---</td> <td>± ---</td> </tr> <tr> <td>2 PLACES</td> <td>± 0.25</td> <td>± ---</td> </tr> <tr> <td>1 PLACE</td> <td>± 0.25</td> <td>± ---</td> </tr> </tbody> </table>		mm	INCH	4 PLACES	± ---	± ---	3 PLACES	± ---	± ---	2 PLACES	± 0.25	± ---	1 PLACE	± 0.25	± ---	DIMENSION STYLE MM ONLY	TITLE	DVI-I RIGHT ANGLE RECEPTACLE CONNECTOR WITH SCREW AND SHIELDING		
			mm	INCH																			
		4 PLACES	± ---	± ---																			
3 PLACES	± ---	± ---																					
2 PLACES	± 0.25	± ---																					
1 PLACE	± 0.25	± ---																					
		ANGULAR ±1/2° DRAFT WHERE APPLICABLE MUST REMAIN WITHIN DIMENSIONS	APPROVED BY DATE CHECKED BY DATE	MOLEX MOLEX INCORPORATED	MATERIAL NO. 74320-9133 DOCUMENT NO. SD-74320-046	SHEET NO. 1 OF 2																	
THIS DRAWING CONTAINS INFORMATION THAT IS PROPRIETARY TO MOLEX INCORPORATED AND SHOULD NOT BE USED WITHOUT WRITTEN PERMISSION																							

12 11 10 9 8 7 6 5 4 3 2



RECOMMENDED PCB LAYOUT

Detail1
SCALE 8:1

RECOMMENDED PANEL CUT-OUT
PANEL THICKNESS: 0.76-1.02MM

PLATING OPTIONS:

PLATING OPTION #1:

FRONT SHIELD -- 150u"/3.75um MIN. BRIGHT TIN OVER
50u"/1.27um MIN. NICKEL OVER COPPER FLASH.
BACK SHIELD -- 50u"/1.27um MIN. BRIGHT TIN OVER
50u"/1.27um MIN. NICKEL OVER COPPER FLASH.

.075"/1.91mm CONTACTS -- 30u"/0.75um MIN. SELECT GOLD AND
100u"/2.50um MIN. SELECT TIN
OVER 50u"/1.27um MIN. NICKEL OVERALL.

.100"/2.54mm CONTACTS -- 30u"/0.75um MIN. SELECT GOLD AND
100u"/2.50um MIN. SELECT TIN.
OVER 50u"/1.27um MIN. NICKEL OVERALL.

MICROCROSS GROUND -- 30u"/0.75um MIN. SELECT GOLD AND
100u"/2.50um MIN. SELECT TIN.
OVER 50u"/1.27um MIN. NICKEL OVERALL.

NEW RELEASE EC NO: SH2005-0004 DRWN: DXUE 2004/07/14 CHKD: 2004/07/14 APPR: YTYAP 2004/07/14	QUALITY SYMBOLS ▽-0 ▽C-0	GENERAL TOLERANCES (UNLESS SPECIFIED)		SCALE 4:1	DESIGN UNITS METRIC	THIRD ANGLE PROJECTION	REVISE ON CAD ONLY		
			mm	INCH	DIMENSION STYLE MM ONLY		TITLE DVI-I RIGHT ANGLE RECEPTACLE CONNECTOR WITH SCREW AND SHIELDING		
		4 PLACES ± --- ± ---	3 PLACES ± --- ± ---	2 PLACES ± 0.25 ± ---	1 PLACE ± 0.25 ± ---	DRAWN BY DXUE	DATE 2004/7/9	MATERIAL NO. 74320-9133	
		ANGULAR ±1/2°				CHECKED BY	DATE	DOCUMENT NO. SD-74320-046	
A	REV	DRAFT WHERE APPLICABLE MUST REMAIN WITHIN DIMENSIONS		APPROVED BY	DATE	SHEET NO. 2 OF 2			
THIS DRAWING CONTAINS INFORMATION THAT IS PROPRIETARY TO MOLEX INCORPORATED AND SHOULD NOT BE USED WITHOUT WRITTEN PERMISSION									

11 10 9 8 7 6 5 4 3 2 1