



Chipsmall Limited consists of a professional team with an average of over 10 year of expertise in the distribution of electronic components. Based in Hongkong, we have already established firm and mutual-benefit business relationships with customers from,Europe,America and south Asia,supplying obsolete and hard-to-find components to meet their specific needs.

With the principle of "Quality Parts,Customers Priority,Honest Operation,and Considerate Service",our business mainly focus on the distribution of electronic components. Line cards we deal with include Microchip,ALPS,ROHM,Xilinx,Pulse,ON,Everlight and Freescale. Main products comprise IC,Modules,Potentiometer,IC Socket,Relay,Connector.Our parts cover such applications as commercial,industrial, and automotives areas.

We are looking forward to setting up business relationship with you and hope to provide you with the best service and solution. Let us make a better world for our industry!



Contact us

Tel: +86-755-8981 8866 Fax: +86-755-8427 6832

Email & Skype: info@chipsmall.com Web: www.chipsmall.com

Address: A1208, Overseas Decoration Building, #122 Zhenhua RD., Futian, Shenzhen, China



NOTES:

1. MATERIALS:

HOUSING: HIGH TEMPERATURE PLASTIC, UL 94V-0, COLOR: BLACK
 TERMINAL: COPPER ALLOY
 SHIELD: STEEL ALLOY

2. FINISH:

TERMINAL: GOLD PLATING OVER 1.27 MICROMETER(50u") NICKEL
 IN CONTACT AREA,
 3.81 MICROMETER (150u") PURE TIN OVER 1.27
 MICROMETER (50u") NICKEL AT SOLDERING AREA.
 BACK SHIELD: 3.81 MICROMETER (150u") BRIGHT TIN OVER 1.27
 MICROMETER (50u") NICKEL OVER COPPER FLASH OVERALL.
 FRONT SHIELD: 1.27 MICROMETER (50u") SOLDERING NICKEL
 OVER COPPER FLASH OVERALL.

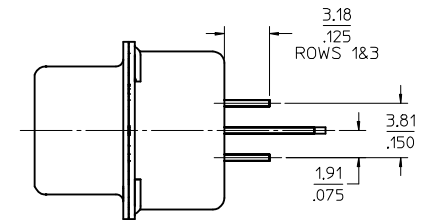
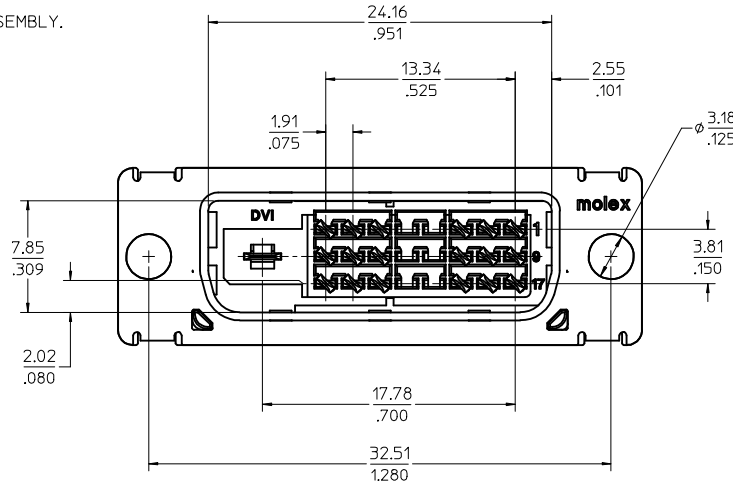
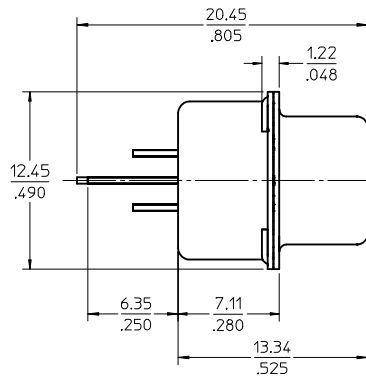
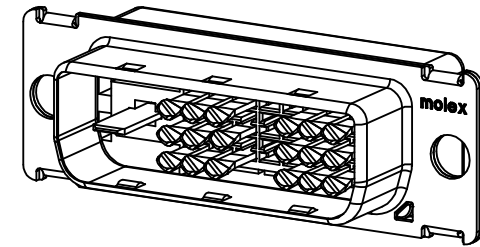
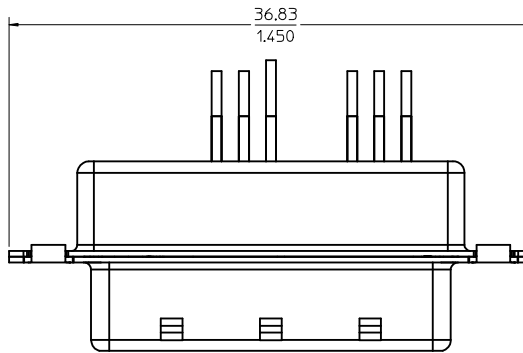
3. PRODUCT SPECIFICATION: PS-74320-001.

4. PACKAGING: PARTS ARE TO BE PACKAGED 40 PCS PER TRAY.

5. THE LOADED CIRCUITS SEE THE CHART.

6. THE TEXTS ARE SHOWN FOR REFERENCE ONLY.

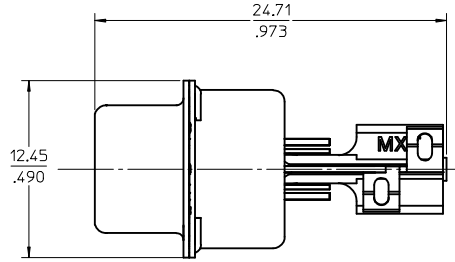
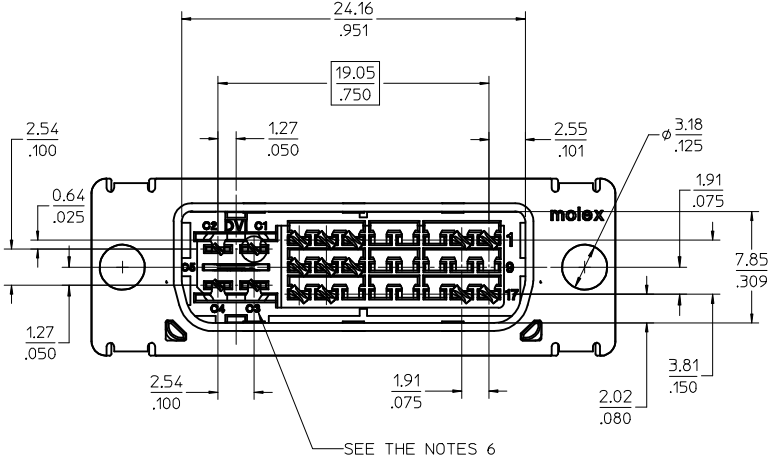
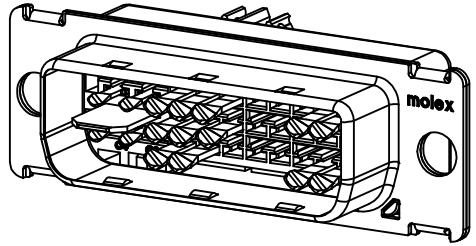
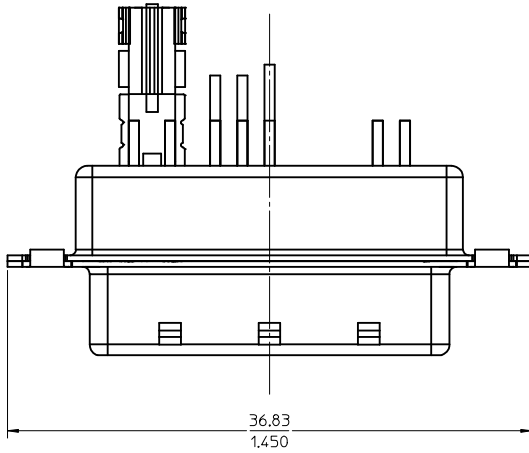
7. THE DIMENSION SHOWN ON SHEET 1 REFLECT THE DVI-D SINGLE AND
 DUAL CHANNEL SUB-ASSEMBLY.
 THE DIMENSION SHOWN ON SHEET 2 REFLECT THE DVI-I SUB-ASSEMBLY.
 FOR ALL OTHER DIMENSION REFER TO SHEET 1.



CHANGE FRONT SHELL FINISH

EC NO: SH2016-0197 DRAWN: XQZHANG 2015/12/07 CHKD: XQZHANG 2015/12/07 APPR: XATIN 2016/01/18	QUALITY SYMBOLS ∇=0 ∇=0 ∇=0	GENERAL TOLERANCES (UNLESS SPECIFIED)		DIMENSION STYLE IN/MM		SCALE 4:1	DESIGN UNITS INCH	THIRD ANGLE PROJECTION
		4 PLACES ± --- ± --- 3 PLACES ± --- ± .010 2 PLACES ± 0.25 ± --- 1 PLACE ± --- ± --- 0 PLACE ± ±	mm INCH ± --- ± --- ± .010 ± --- ± --- ± --- ± ±	DRAWN BY JASON	DATE 99/09/12	TITLE DVI HIGH VOLUME PLUG CONNECTOR SUB-ASSEMBLY		DOCUMENT NO. SD-74323-003
ANGLUAR ± 1 ° DRAFT WHERE APPLICABLE MUST REMAIN WITHIN DIMENSIONS		MATERIAL NO. SEE SHEET 2		APPROVED BY MEGA		DATE 99/09/22		THIS DRAWING CONTAINS INFORMATION THAT IS PROPRIETARY TO MOLEX INCORPORATED AND SHOULD NOT BE USED WITHOUT WRITTEN PERMISSION

PART NUMBER	DESCRIPTION	LOADED CIRCUITS REF.
74323-2001	DVI-D Au FLASH SINGLE LINK	1-3,6-8,9-11,14-16,17-19,22-24, WITH KEY
74323-2003	DVI-D Au FLASH DUAL LINK	1-24, WITH KEY
74323-2031	DVI-I Au FLASH SINGLE LINK	1-3,6-8,9-11,14-16,17-19,22-24, C1,C2,C3,C4,C5
74323-2033	DVI-I Au FLASH DUAL LINK	1-24, C1,C2,C3,C4,C5



SEE SHEET 1 EC NO: SH2016-0197 DRAWN: XZHANG 2015/12/07 CHKD: XZHANG 2015/12/07 APPR: AYLIN 2016/01/18	QUALITY SYMBOLS ▽=0 ▽=0 ▽=0	GENERAL TOLERANCES (UNLESS SPECIFIED)		DIMENSION STYLE IN/MM		SCALE 4:1	DESIGN UNITS INCH	THIRD ANGLE PROJECTION	
			mm	INCH	DRAWN BY	DATE	TITLE		
		4 PLACES ± ---	± ---	± .010	JASON	99/09/12	DVI HIGH VOLUME PLUG CONNECTOR SUB-ASSEMBLY moLEX		
		3 PLACES ± ---	± ---	± ---	CHECKED BY	DATE			
2 PLACES ± 0.25	± ---	± ---	RAFF	99/09/22	DOCUMENT NO.				
1 PLACE ± ---	± ---	± ---	APPROVED BY	DATE	SEE TABLE SD-74323-003		SHEET NO.	2 OF 2	
0 PLACE ±	±	±	MEGA	99/09/22	THIS DRAWING CONTAINS INFORMATION THAT IS PROPRIETARY TO MOLEX INCORPORATED AND SHOULD NOT BE USED WITHOUT WRITTEN PERMISSION				
ANGLULAR ± 1 ° DRAFT WHERE APPLICABLE MUST REMAIN WITHIN DIMENSIONS									