



Chipsmall Limited consists of a professional team with an average of over 10 year of expertise in the distribution of electronic components. Based in Hongkong, we have already established firm and mutual-benefit business relationships with customers from,Europe,America and south Asia,supplying obsolete and hard-to-find components to meet their specific needs.

With the principle of "Quality Parts,Customers Priority,Honest Operation,and Considerate Service",our business mainly focus on the distribution of electronic components. Line cards we deal with include Microchip,ALPS,ROHM,Xilinx,Pulse,ON,Everlight and Freescale. Main products comprise IC,Modules,Potentiometer,IC Socket,Relay,Connector.Our parts cover such applications as commercial,industrial, and automotives areas.

We are looking forward to setting up business relationship with you and hope to provide you with the best service and solution. Let us make a better world for our industry!



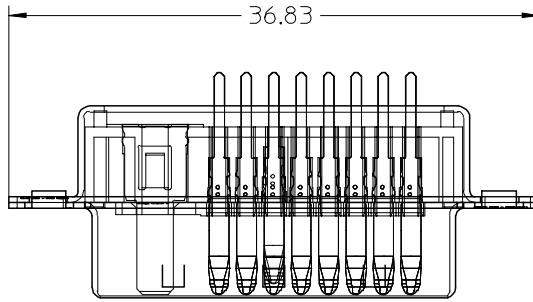
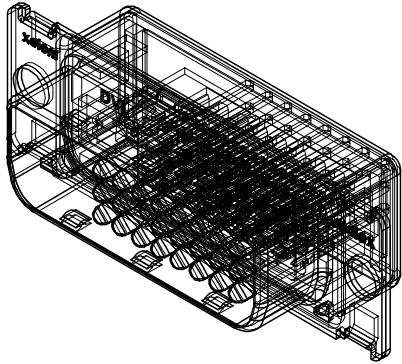
## Contact us

Tel: +86-755-8981 8866 Fax: +86-755-8427 6832

Email & Skype: info@chipsmall.com Web: www.chipsmall.com

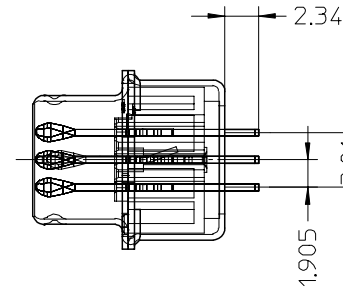
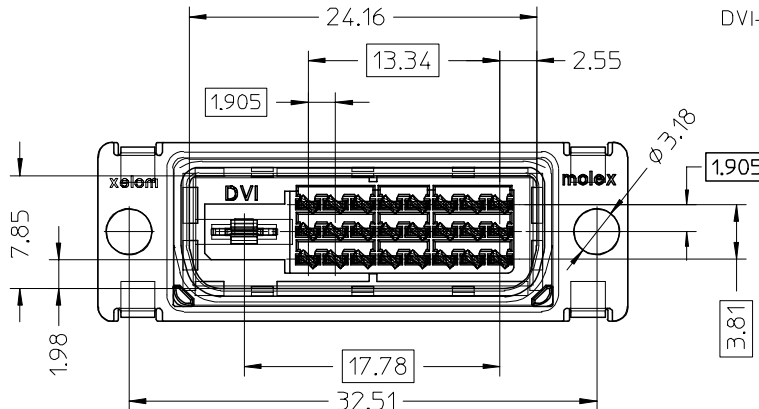
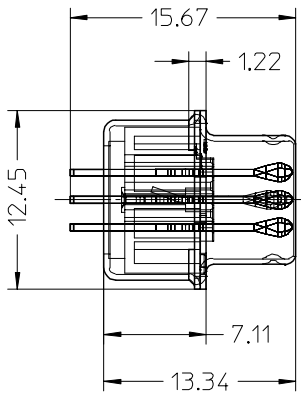
Address: A1208, Overseas Decoration Building, #122 Zhenhua RD., Futian, Shenzhen, China





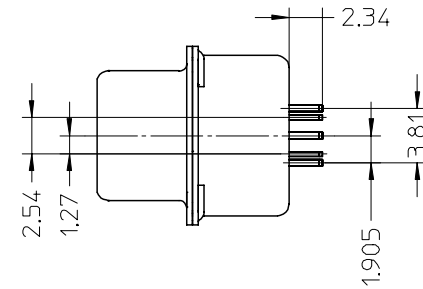
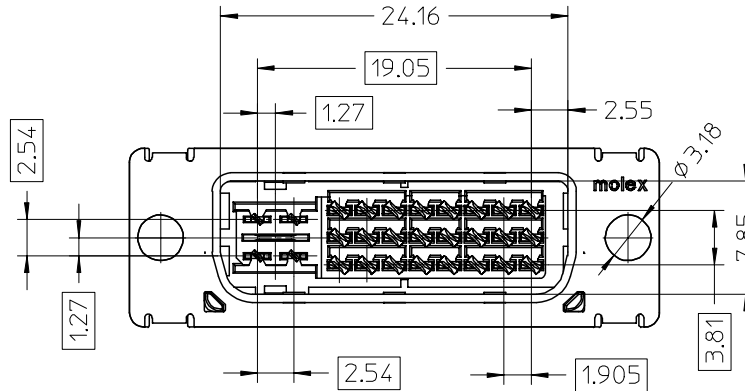
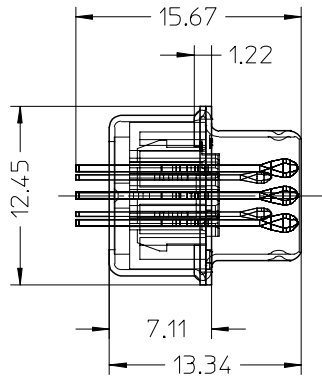
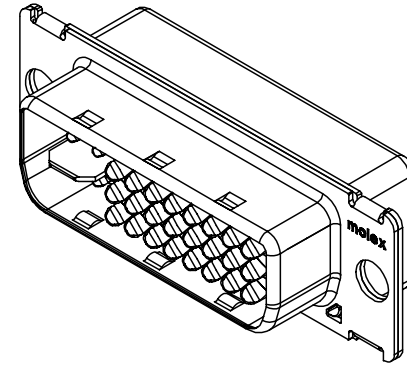
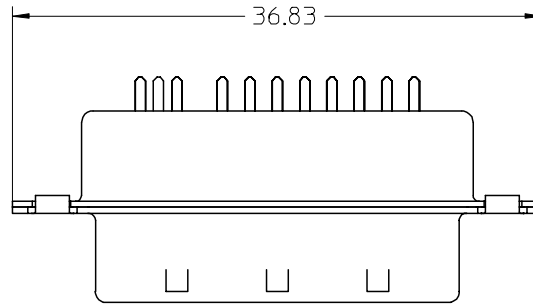
NOTES:

- 1.MATERIALS: HOUSING: HIGH TEMPERATURE PLASTIC  
UL 94V-0, COLOR: BLACK  
TERMINAL: COPPER ALLOY  
SHIELD: STEEL ALLOY
- 2.FINISH: TERMINAL: SEE THE CHART FOR GOLD PLATING OVER 1.27 MICROMETER (50u") NICKEL IN CONTACT AREA AND 3.81 MICROMETER (150u") PURE TIN OVER 1.27 MICROMETER (50u") NICKEL AT SOLDERING AREA.  
SHIELD: 3.81 MICROMETER (150u") BRIGHT TIN OVER 1.27 MICROMETER (50u") NICKEL OVERALL.
- 3.PRODUCT SPECIFICATION: PS-74320-001.
- 4.PACKAGING: PARTS ARE TO BE PACKAGED 40 PCS PER TRAY.
- 5.THE LOADED CIRCUITS SEE THE CHART.
- 6.THE DIMENSION SHOWN ON SHEET 1 REFLECT THE DVI-D SINGLE AND DUAL CHANNEL ASSEMBLY.  
THE DIMENSION SHOWN ON SHEET 2 REFLECT THE DVI-A AND DVI-I ASSEMBLY. FOR ALL OTHER DIMENSIONS REFER TO SHEET 1.

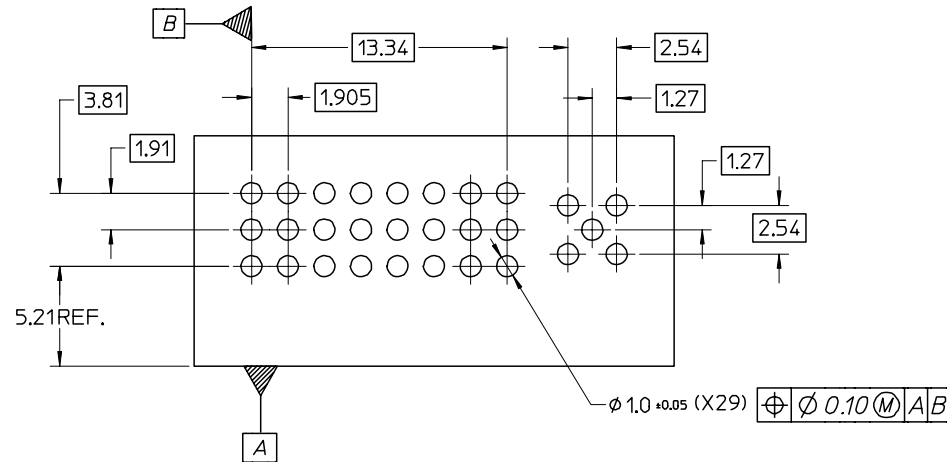


LEAD-FREE EC NO: SH2005-0067 DRWN:DXUE 2004/09/02 CHKD: 2004/09/03 APPR: YTYAP 2004/09/09	QUALITY SYMBOLS $\blacktriangledown = 0$ $\blacktriangledown = 0$	GENERAL TOLERANCES (UNLESS SPECIFIED)		SCALE 1:1	DESIGN UNITS INCH	THIRD ANGLE PROJECTION	REVISE ON CAD ONLY		
		4 PLACES $\pm 0.25$	3 PLACES $\pm 0.25$	2 PLACES $\pm 0.25$	1 PLACE $\pm 0.25$	DIMENSION STYLE MM ONLY		TITLE HIGH VOLUME DVI PLUG CONNECTOR FOR PCB MOUNT	
		ANGULAR $\pm .5^\circ$				DRAWN BY JCHIANG	DATE 00/05/12	MOLEX INCORPORATED	
		DRAFT WHERE APPLICABLE MUST REMAIN WITHIN DIMENSIONS				CHECKED BY MLIN	DATE 00/05/12	MATERIAL NO. SEE TABLE	DOCUMENT NO. SD-74323-005
SHEET NO. 1 OF 3	THIS DRAWING CONTAINS INFORMATION THAT IS PROPRIETARY TO MOLEX INCORPORATED AND SHOULD NOT BE USED WITHOUT WRITTEN PERMISSION								

PART NO.	DESCRIPTION	LOAD CIRCUIT REF
74323-2101	DVI-D Au FLASH SINGLE CHANNEL	1-3,6-8,9-11,14-16,17-19,22-24 WITH KEY
74323-2102	DVI-D 30 u" Au SINGLE CHANNEL	1-3,6-8,9-11,14-16,17-19,22-24 WITH KEY
74323-2103	DVI-D Au FLASH DUAL CHANNEL	1-24, WITH KEY
74323-2104	DVI-D 30 u" Au DUAL CHANNEL	1-24, WITH KEY
74323-2111	DVI-A Au FLASH	1-2,6-8,14-16,17-18,23-24 C1-C5
74323-2112	DVI-A 30 u" Au	1-2,6-8,14-16,17-18,23-24 C1-C5
74323-2131	DVI-I Au FLASH SINGLE CHANNEL	1-3,6-8,9-11,14-16,17-19,22-24 C1-C5
74323-2132	DVI-I 30 u" Au SINGLE CHANNEL	1-3,6-8,9-11,14-16,17-19,22-24 C1-C5
74323-2133	DVI-I Au FLASH DUAL CHANNEL	1-24,C1-C5
74323-2134	DVI-I 30 u" Au DUAL CHANNEL	1-24,C1-C5



LEAD-FREE EC NO: SH2005-0067 DRWN:DXUE 2004/09/02 CHKD: 2004/09/03 APPR: YTYAP 2004/09/03	QUALITY SYMBOLS ▽ = 0 ▽ = 0	GENERAL TOLERANCES (UNLESS SPECIFIED)		SCALE 1:1	DESIGN UNITS INCH	THIRD ANGLE PROJECTION	REVISE ON CAD ONLY
		4 PLACES ± --- ± --- 3 PLACES ± --- ± --- 2 PLACES ± 0.25 ± --- 1 PLACE ± 0.25 ± ---	DIMENSION STYLE MM ONLY	TITLE HIGH VOLUME DVI PLUG CONNECTOR FOR PCB MOUNT			
		ANGULAR ± .5 °	DRAFT WHERE APPLICABLE	DRAWN BY JCHIANG CHECKED BY MLIN	DATE 00/05/12 DATE 00/05/12	MATERIAL NO. SEE TABLE DOCUMENT NO. SD-74323-005	SHEET NO. 2 OF 3
		MUST REMAIN WITHIN DIMENSIONS		THIS DRAWING CONTAINS INFORMATION THAT IS PROPRIETARY TO MOLEX INCORPORATED AND SHOULD NOT BE USED WITHOUT WRITTEN PERMISSION			



RECOMMENDED PCB LAYOUT ,PCB THICKNESS :1.60 MM

LEAD-FREE EC NO: SH2005-0067 DRWN:DXUE 2004/09/02 CHKD: 2004/09/03 APPR: YTYAP 2004/09/09	QUALITY SYMBOLS ▽ = 0 ▽ = 0	GENERAL TOLERANCES (UNLESS SPECIFIED)		SCALE 4:1	DESIGN UNITS INCH	THIRD ANGLE PROJECTION	REVISE ON CAD ONLY
		4 PLACES ± --- ± --- 3 PLACES ± --- ± --- 2 PLACES ± 0.25 ± --- 1 PLACE ± 0.25 ± ---	DIMENSION STYLE MM ONLY	TITLE HIGH VOLUME DVI PLUG CONNECTOR FOR PCB MOUNT			
		ANGULAR ± .5 ° DRAFT WHERE APPLICABLE MUST REMAIN WITHIN DIMENSIONS	DRAWN BY JCHIANG	DATE 00/05/12	MOLEX INCORPORATED		
		APPROVED BY MLIN	DATE 00/05/12	MATERIAL NO. SEE TABLE	DOCUMENT NO. SD-74323-005	SHEET NO. 3 OF 3	