



Chipsmall Limited consists of a professional team with an average of over 10 year of expertise in the distribution of electronic components. Based in Hongkong, we have already established firm and mutual-benefit business relationships with customers from,Europe,America and south Asia,supplying obsolete and hard-to-find components to meet their specific needs.

With the principle of “Quality Parts,Customers Priority,Honest Operation,and Considerate Service”,our business mainly focus on the distribution of electronic components. Line cards we deal with include Microchip,ALPS,ROHM,Xilinx,Pulse,ON,Everlight and Freescale. Main products comprise IC,Modules,Potentiometer,IC Socket,Relay,Connector.Our parts cover such applications as commercial,industrial, and automotives areas.

We are looking forward to setting up business relationship with you and hope to provide you with the best service and solution. Let us make a better world for our industry!



Contact us

Tel: +86-755-8981 8866 Fax: +86-755-8427 6832

Email & Skype: info@chipsmall.com Web: www.chipsmall.com

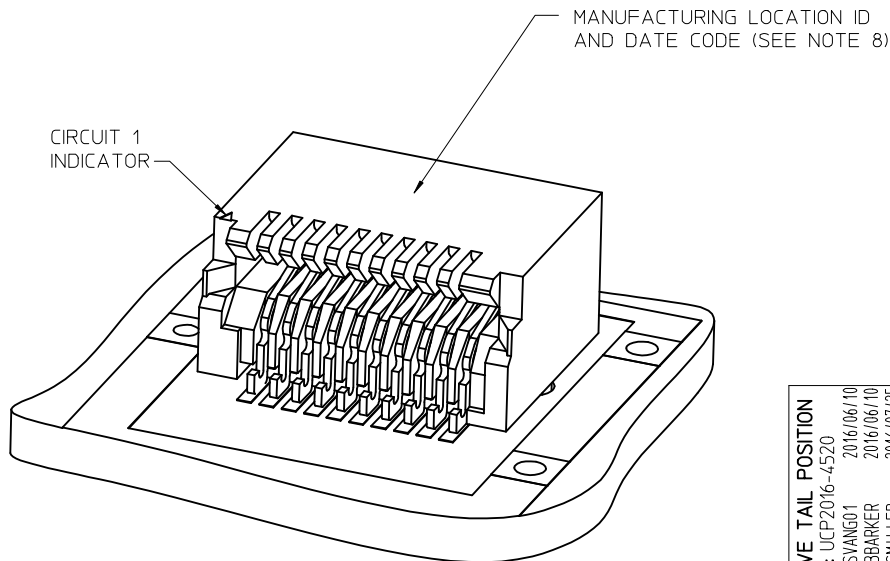
Address: A1208, Overseas Decoration Building, #122 Zhenhua RD., Futian, Shenzhen, China



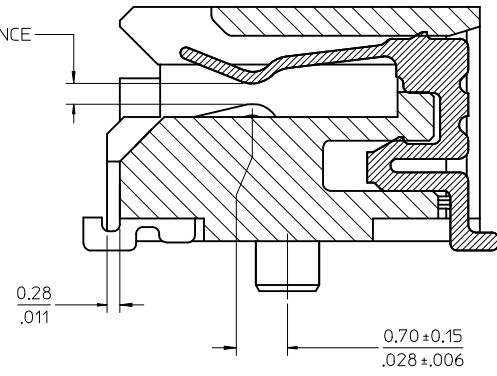
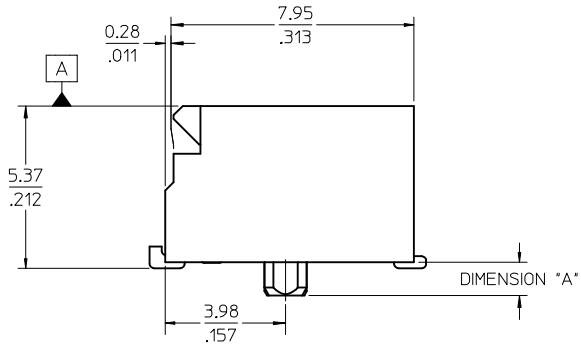
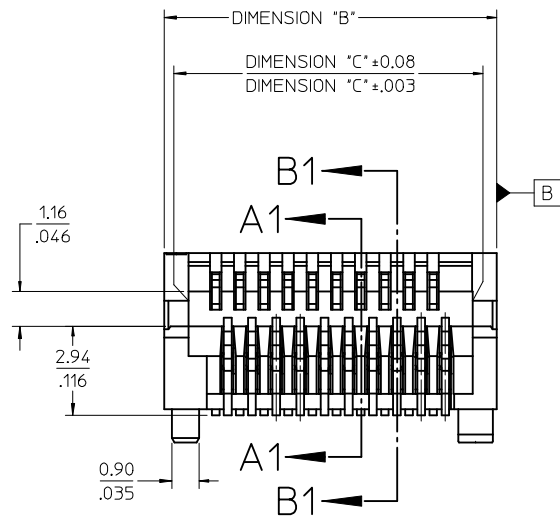
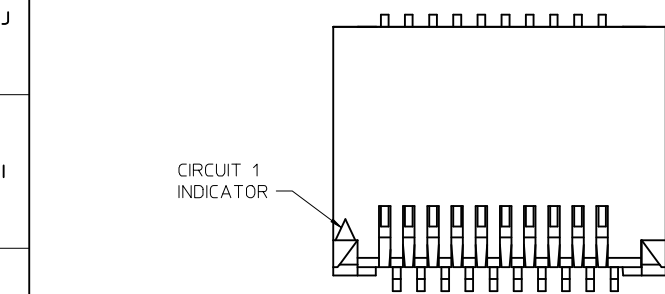
| CKT SIZE | PART NUMBER | TOOLED | DESCRIPTION | DIMENSIONS | | | | MULTI-SOURCE AGREEMENT | CIRCUIT BOARD LAYOUT |
|----------|-------------|--------|-------------------|------------|-------------|-------------|-------------|------------------------|----------------------|
| | | | | "A" | "B" | "C" | "D" | | |
| 20 | 74441-0001 | YES | PLATED PER NOTE 2 | 1.10/.043 | 11.00/.433 | 9.40/.370 | 9.60/.378 | SFP | SEE SHEET 3 |
| | 74441-0004 | NO* | PLATED PER NOTE 2 | 0.76/.030 | | | | | |
| | 74441-0010 | YES | PLATED PER NOTE 3 | 1.10/.043 | | | | | |
| | 74441-0014 | NO* | PLATED PER NOTE 3 | 0.76/.030 | | | | | |
| | 74441-0031 | YES | PLATED PER NOTE 4 | 1.10/.043 | | | | | |
| 30 | 74441-0007 | YES | PLATED PER NOTE 2 | 1.10/.043 | 15.00/.591 | 13.40/.528 | 13.60/.535 | XFP | SEE SHEET 4 |
| | 74441-0017 | YES | PLATED PER NOTE 3 | 1.10/.043 | | | | | |
| | 74441-0037 | YES | PLATED PER NOTE 4 | 1.10/.043 | | | | | |
| 40 | 74441-0005 | YES | PLATED PER NOTE 2 | 1.10/.043 | 19.00/.748 | 17.40/.685 | 17.60/.693 | | SEE SHEET 5 |
| | 74441-0015 | YES | PLATED PER NOTE 3 | 1.10/.043 | | | | | |
| | 74441-0035 | YES | PLATED PER NOTE 4 | 1.10/.043 | | | | | |
| 50 | 74441-0008 | YES | PLATED PER NOTE 2 | 1.10/.043 | 23.00/.906 | 21.40/.843 | 21.60/.850 | | SEE SHEET 6 |
| | 74441-0018 | YES | PLATED PER NOTE 3 | 1.10/.043 | | | | | |
| | 74441-0038 | YES | PLATED PER NOTE 5 | 1.10/.043 | | | | | |
| 70 | 74441-0003 | YES | PLATED PER NOTE 2 | 1.10/.043 | 31.00/1.220 | 29.40/1.517 | 29.60/1.165 | XENPAK XPAK X2 | SEE SHEET 7 |
| | 74441-0013 | YES | PLATED PER NOTE 3 | 1.10/.043 | | | | | |
| | 74441-0033 | YES | PLATED PER NOTE 4 | 1.10/.043 | | | | | |

NOTES

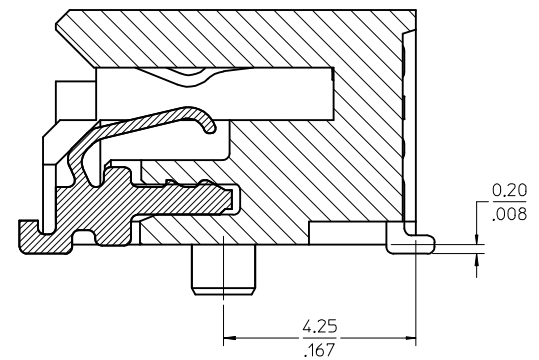
- MATERIAL:**
HOUSING - HIGH TEMPERATURE THERMOPLASTIC GLASS FILLED, UL 94V-0, BLACK
TERMINALS - COPPER ALLOY
- PLATING (SEE TABLE):**
CONTACT AREA - 0.38 MICROMETER MINIMUM GOLD OVER NICKEL
SOLDER FOOT AREA - 2.54 MICROMETER MINIMUM TIN OVER NICKEL
- PLATING (SEE TABLE):**
CONTACT AREA - 0.76 MICROMETER MINIMUM GOLD OVER NICKEL
SOLDER AREA - 2.54 MICROMETER MINIMUM TIN OVER NICKEL
- PLATING (SEE TABLE):**
CONTACT AREA - 0.76 MICROMETER MINIMUM GOLD OVER
2.54 MICROMETERS MINIMUM NICKEL.
SOLDER AREA: GOLD FLASH OVER NICKEL.
- PLATING (SEE TABLE):**
CONTACT AREA - 0.38 MICROMETER MINIMUM GOLD OVER NICKEL,
SOLDER AREA: GOLD FLASH OVER NICKEL.
- SOLDER FEET COPLANAR WITHIN 0.10/.004 FOR 20, 30 AND 40 CIRCUIT CONNECTORS,
WITHIN 0.15/.006 FOR 50 AND 70 CIRCUIT CONNECTORS**
- * CONTACT PLANT FOR MORE INFORMATION**
- DATE CODE: 4 DIGIT (3 DIGIT DAY, 1 DIGIT YEAR)**
- THE CIRCUIT 1 INDICATOR MAY VARY IN SIZE AND APPEARANCE.**



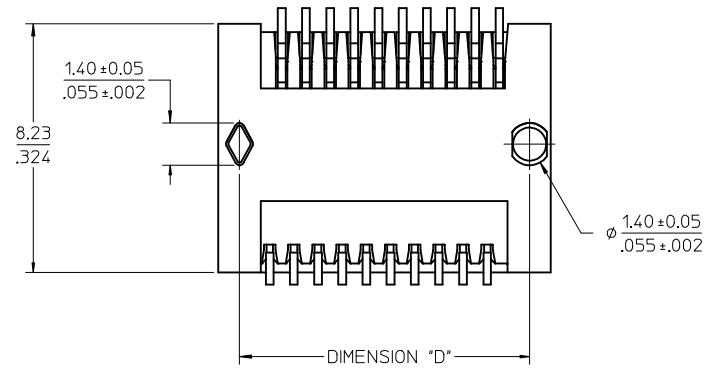
| | | | | | | | | | | | |
|--|--------------------------------------|---------------------------------------|-------|--|-------|---|------------------------|---|--|---------------------|--|
| REMOVE TAIL POSITION EC NO: UCP2016-4520 DRWNSVANG01 2016/06/10 CHKD:BBARKER 2016/06/10 APPR:SMILLER 2016/07/25 | QUALITY SYMBOLS ▽=0 ▽=0 ▽=0 | GENERAL TOLERANCES (UNLESS SPECIFIED) | | DIMENSION STYLE MM/IN | | SCALE 1:1 | DESIGN UNITS METRIC | THIRD ANGLE PROJECTION | | | |
| | | | | mm | INCH | DRAWN BY HAVERY | DATE 00/04/06 | SALES ASSEMBLY Z AXIS PLUGGABLE PCB CONNECTOR molex | | | |
| | | | | 4 PLACES ±--- | ±--- | CHECKED BY KSWEENEY | DATE 00/04/06 | | | | |
| | | | | 3 PLACES ±--- | ±.005 | APPROVED BY MBANAKIS | DATE 00/04/06 | DOCUMENT NO. SD-74441-001 | | SHEET NO. 1 OF 7 | |
| | | 2 PLACES ±0.13 | ±.010 | MATERIAL NO. SEE TABLE | | | | | | | |
| | | 1 PLACE ±0.25 | ±--- | DRAFT WHERE APPLICABLE MUST REMAIN WITHIN DIMENSIONS | | THIS DRAWING CONTAINS INFORMATION THAT IS PROPRIETARY TO MOLEX INCORPORATED AND SHOULD NOT BE USED WITHOUT WRITTEN PERMISSION | | | | | |
| | | 0 PLACE ± | ± | | | | | | | | |



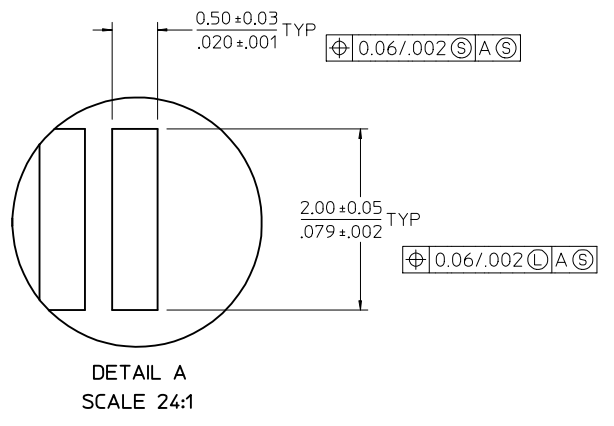
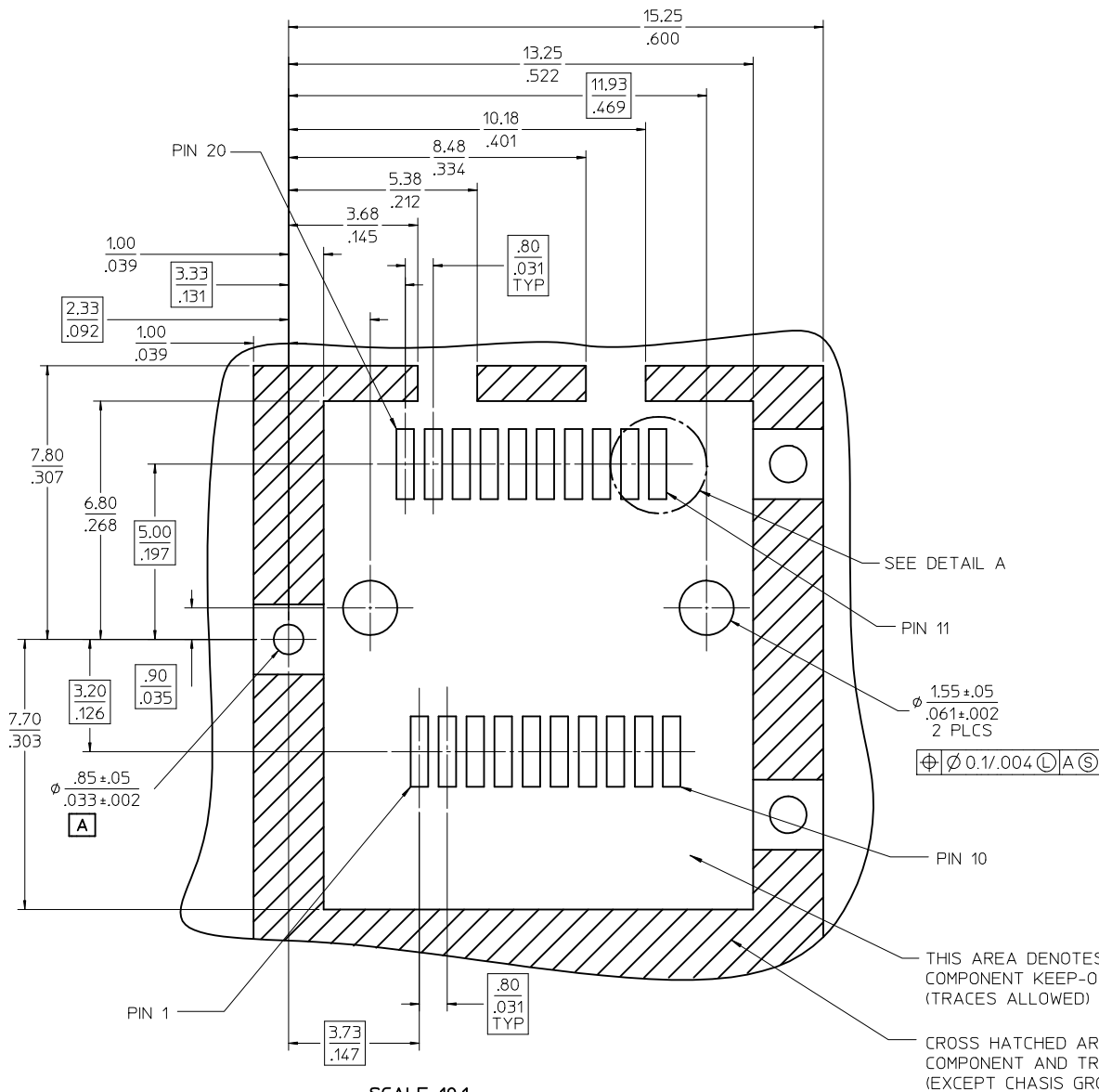
SECTION A1-A1
SCALE 12:1



SECTION B1-B1
SCALE 12:1



| | | | | | | | |
|---|--------------------------------------|--|--------|-----------------|--------------|--------------|---|
| SEE SHEET 1 EC NO: UCP2016-4520 DRW:VYANG01 2016/06/10 CHKD:BBARKER 2016/06/10 APPR:SMILLER 2016/07/25 | QUALITY SYMBOLS ▽=0 ▽=0 ▽=0 | GENERAL TOLERANCES (UNLESS SPECIFIED) | | DIMENSION STYLE | SCALE | DESIGN UNITS | THIRD ANGLE PROJECTION |
| | | mm | INCH | MM/IN | 6:1 | METRIC | |
| REV: Y | DESCRIPTION | 4 PLACES | ± --- | ± --- | DRAWN BY | DATE | SALES ASSEMBLY Z AXIS PLUGGABLE PCB CONNECTOR molex |
| | | 3 PLACES | ± --- | ± .005 | HAVERY | 00/04/06 | |
| | | 2 PLACES | ± 0.13 | ± .010 | CHECKED BY | DATE | |
| | | 1 PLACE | ± 0.25 | ± --- | KSWEENEY | 00/04/06 | |
| | | 0 PLACE | ± | ± | APPROVED BY | DATE | |
| ANGULAR ±1/2° | | DRAFT WHERE APPLICABLE MUST REMAIN WITHIN DIMENSIONS | | MATERIAL NO. | DOCUMENT NO. | SHEET NO. | |
| SIZE C | | SEE TBL, SHT 1 | | SD-74441-001 | | 2 OF 7 | |
| THIS DRAWING CONTAINS INFORMATION THAT IS PROPRIETARY TO MOLEX INCORPORATED AND SHOULD NOT BE USED WITHOUT WRITTEN PERMISSION | | | | | | | |



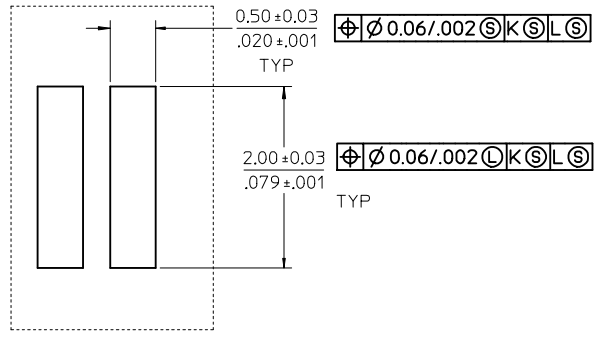
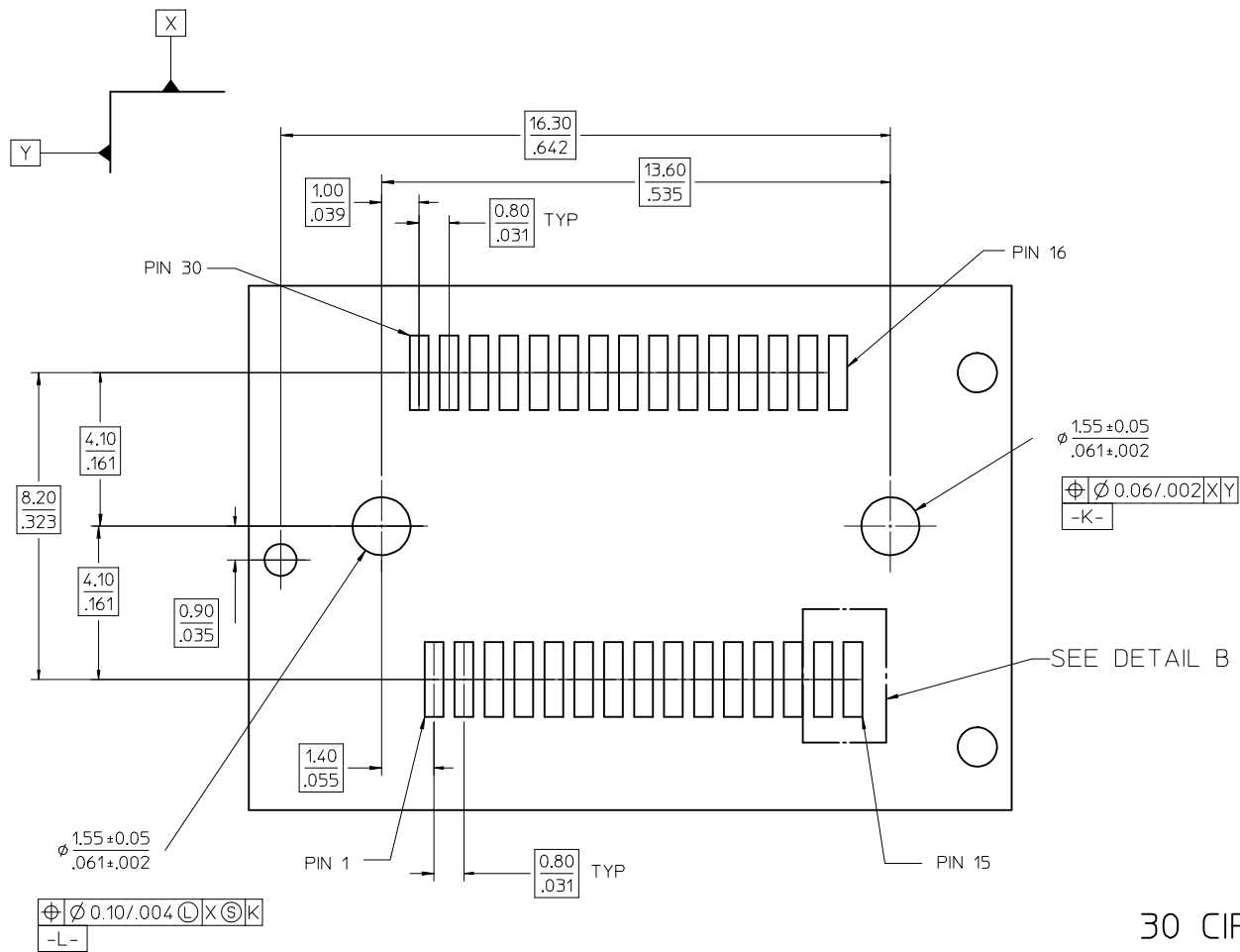
20 CIRCUIT MOTHER BOARD
RECOMMENDED PCB LAYOUT

THIS AREA DENOTES
COMPONENT KEEP-OUT
(TRACES ALLOWED)

CROSS HATCHED AREA DENOTES
COMPONENT AND TRACE KEEP-OUT
(EXCEPT CHASSIS GROUND)

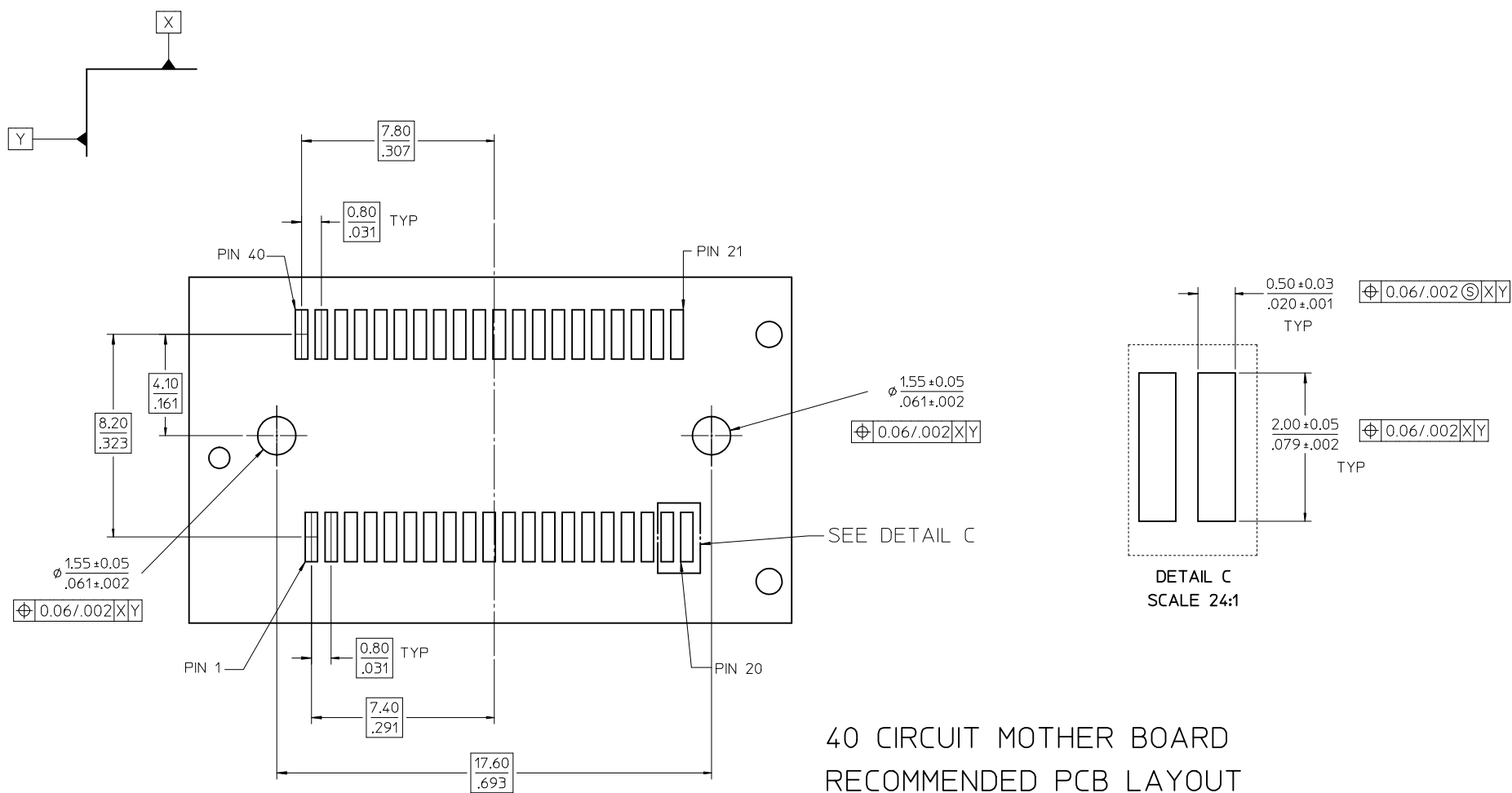
SCALE 10:1

| | | | | | | |
|---|----------------------|---------------------------------------|---------------------------------------|--|---|------------------------|
| SEE SHEET 1 EC NO: UCP2016-4520 DRWNS:VANG01 2016/06/10 CHKD:BBARKER 2016/06/10 APPR:SMILLER 2016/07/25 | QUALITY SYMBOLS | GENERAL TOLERANCES (UNLESS SPECIFIED) | DIMENSION STYLE MM/IN | SCALE 8:1 | DESIGN UNITS METRIC | THIRD ANGLE PROJECTION |
| | ▽=0 | 4 PLACES ± --- ± --- | DRAWN BY DATE HAVERY 00/04/06 | TITLE SALES ASSEMBLY Z AXIS PLUGGABLE PCB CONNECTOR | molex DOCUMENT NO. SD-74441-001 SHEET NO. 3 OF 7 | |
| | ▽=0 | 3 PLACES ± --- ± .005 | CHECKED BY DATE KSWEENEY 00/04/06 | | | |
| | ▽=0 | 2 PLACES ± .013 ± .010 | APPROVED BY DATE MBANAKIS 00/04/06 | | | |
| | 1 PLACE ± 0.25 ± --- | MATERIAL NO. | | | | |
| REV | DESCRIPTION | ANGULAR ±1/2° | SIZE C | THIS DRAWING CONTAINS INFORMATION THAT IS PROPRIETARY TO MOLEX INCORPORATED AND SHOULD NOT BE USED WITHOUT WRITTEN PERMISSION | | |



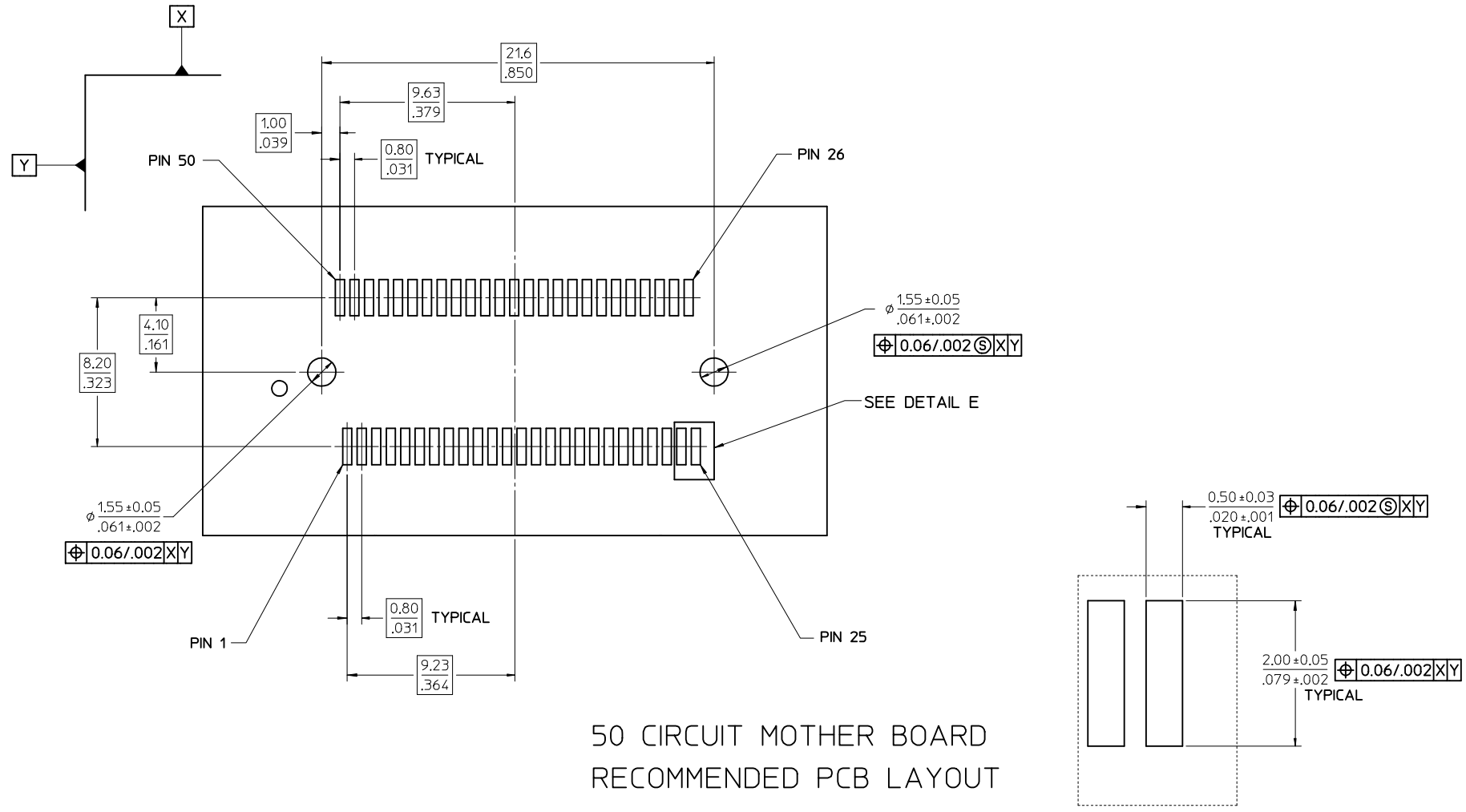
30 CIRCUIT MOTHER BOARD
RECOMMENDED PCB LAYOUT

| | | | | | | | |
|---|-----------------|---------------------------------------|--------|--|---|--------------|------------------------|
| SEE SHEET 1 EC NO: UCP2016-4520 DRWNS:VANG01 2016/06/10 CHKD:BBARKER 2016/06/10 APPR:SMILLER 2016/07/25 | QUALITY SYMBOLS | GENERAL TOLERANCES (UNLESS SPECIFIED) | | DIMENSION STYLE | SCALE | DESIGN UNITS | THIRD ANGLE PROJECTION |
| | ▽=0 | mm | INCH | MM/IN | 6:1 | METRIC | ☉ |
| | ▽=0 | 4 PLACES ± --- | ± --- | DRAWN BY DATE | TITLE | | |
| | ▽=0 | 3 PLACES ± --- | ± .005 | HAVERY 00/04/06 | SALES ASSEMBLY | | |
| | | 2 PLACES ± 0.13 | ± .010 | CHECKED BY DATE | Z AXIS PLUGGABLE | | |
| | | 1 PLACE ± 0.25 | ± --- | MBANEY 00/04/06 | PCB CONNECTOR | | |
| | | 0 PLACE ± | ± | APPROVED BY DATE | molex | | |
| | | | | MBANAK IS 00/04/06 | SD-74441-001 | | |
| | | | | MATERIAL NO. | DOCUMENT NO. | SHEET NO. | |
| | | | | SEE TBL, SHT 1 | | 4 OF 7 | |
| | | | | ANGULAR ±1/2° | THIS DRAWING CONTAINS INFORMATION THAT IS PROPRIETARY TO MOLEX INCORPORATED AND SHOULD NOT BE USED WITHOUT WRITTEN PERMISSION | | |
| | | | | DRAFT WHERE APPLICABLE MUST REMAIN WITHIN DIMENSIONS | | | |

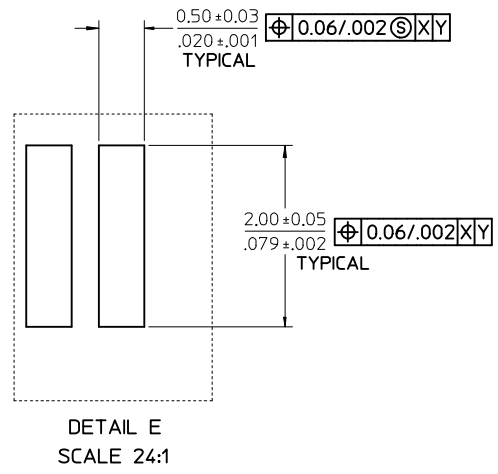


40 CIRCUIT MOTHER BOARD
RECOMMENDED PCB LAYOUT

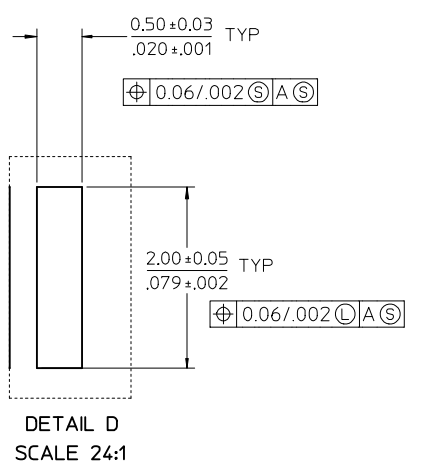
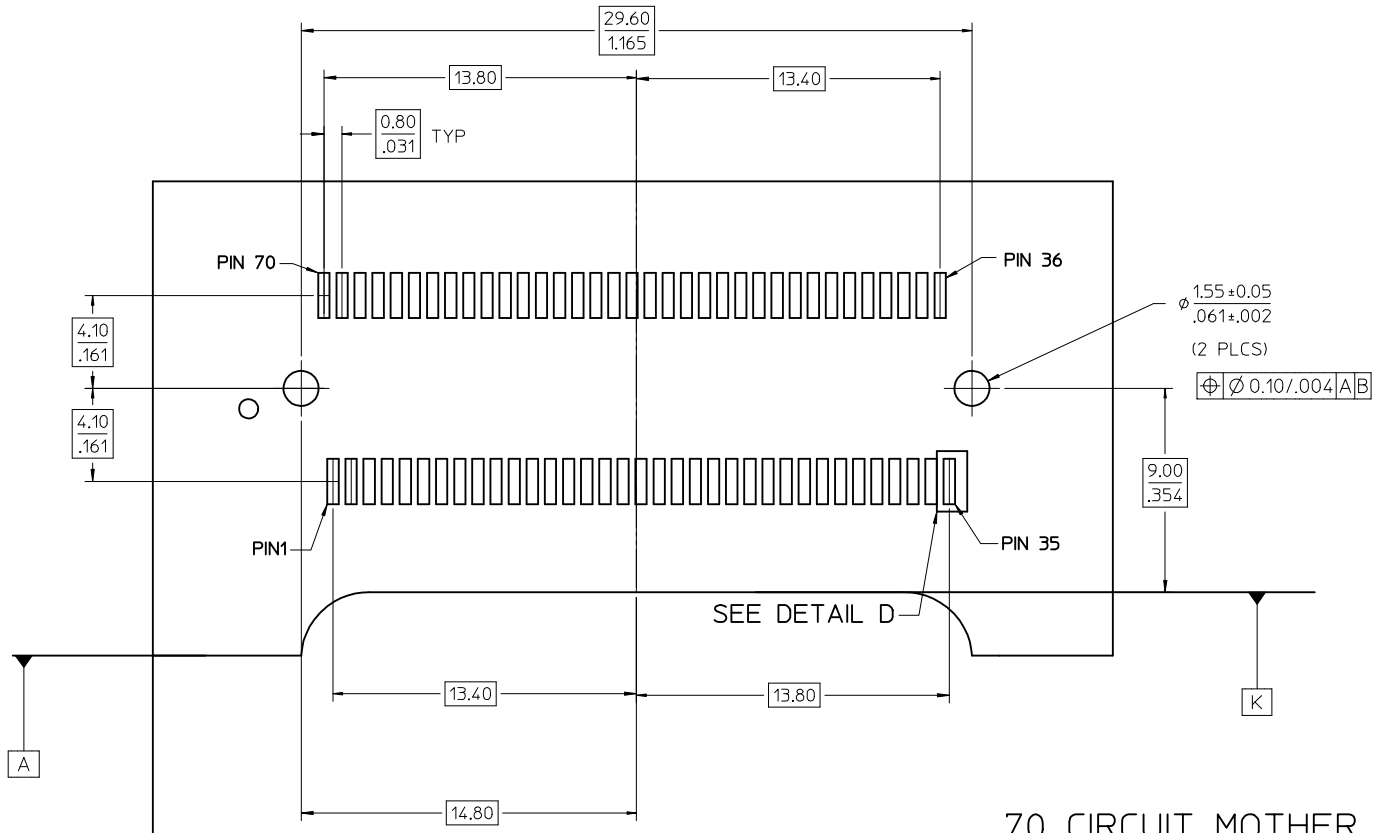
| SEE SHEET 1 EC NO: UCP2016-4520 DRWNS:VANG01 2016/06/10 CHKD:BBARKER 2016/06/10 APPR:SMILLER 2016/07/25 Y | QUALITY SYMBOLS ▽=0 ▽=0 ▽=0 | GENERAL TOLERANCES (UNLESS SPECIFIED) <table border="1"> <thead> <tr> <th></th> <th>mm</th> <th>INCH</th> </tr> </thead> <tbody> <tr> <td>4 PLACES</td> <td>± .---</td> <td>± .---</td> </tr> <tr> <td>3 PLACES</td> <td>± .---</td> <td>± .005</td> </tr> <tr> <td>2 PLACES</td> <td>± 0.13</td> <td>± .010</td> </tr> <tr> <td>1 PLACE</td> <td>± 0.25</td> <td>± .---</td> </tr> <tr> <td>0 PLACE</td> <td>±</td> <td>±</td> </tr> </tbody> </table> | | mm | INCH | 4 PLACES | ± .--- | ± .--- | 3 PLACES | ± .--- | ± .005 | 2 PLACES | ± 0.13 | ± .010 | 1 PLACE | ± 0.25 | ± .--- | 0 PLACE | ± | ± | DIMENSION STYLE MM/IN DRAWN BY: HAVERY DATE: 00/04/06 CHECKED BY: KSWEENEY DATE: 00/04/06 APPROVED BY: MBANAKIS DATE: 00/04/06 | SCALE 6:1 TITLE SALES ASSEMBLY Z AXIS PLUGGABLE PCB CONNECTOR | DESIGN UNITS METRIC | MATERIAL NO. SEE TBL, SHT 1 | DOCUMENT NO. SD-74441-001 | SHEET NO. 5 OF 7 |
|---|--------------------------------------|--|--------|--------------|------|---|--------|--------|----------|--------|--------|----------|--------|--------|---------|--------|--------|---------|---|---|--|--|-----------------------------------|---------------------------------------|-------------------------------------|----------------------------|
| | | mm | INCH | | | | | | | | | | | | | | | | | | | | | | | |
| | 4 PLACES | ± .--- | ± .--- | | | | | | | | | | | | | | | | | | | | | | | |
| | 3 PLACES | ± .--- | ± .005 | | | | | | | | | | | | | | | | | | | | | | | |
| 2 PLACES | ± 0.13 | ± .010 | | | | | | | | | | | | | | | | | | | | | | | | |
| 1 PLACE | ± 0.25 | ± .--- | | | | | | | | | | | | | | | | | | | | | | | | |
| 0 PLACE | ± | ± | | | | | | | | | | | | | | | | | | | | | | | | |
| DRAFT WHERE APPLICABLE MUST REMAIN WITHIN DIMENSIONS | | ANGULAR ±1/2° | | molex | | THIS DRAWING CONTAINS INFORMATION THAT IS PROPRIETARY TO MOLEX INCORPORATED AND SHOULD NOT BE USED WITHOUT WRITTEN PERMISSION | | | | | | | | | | | | | | | | | | | | |
| | | | | | | | | | | | | | | | | | | | | | | | | | | |
| | | | | | | | | | | | | | | | | | | | | | | | | | | |



50 CIRCUIT MOTHER BOARD
RECOMMENDED PCB LAYOUT



| | | | | | | |
|--|-----------------|--|----------------------|---|---|------------------------|
| SEE SHEET 1 IEC NO: UCP2016-4520 DRWNS:VANG01 2016/06/10 CHKD:BBARKER 2016/06/10 APPR:SMILLER 2016/07/25 | QUALITY SYMBOLS | GENERAL TOLERANCES (UNLESS SPECIFIED) | DIMENSION STYLE | SCALE | DESIGN UNITS | THIRD ANGLE PROJECTION |
| | ▽=0 | 4 PLACES ± --- ± --- | MM/IN | 6:1 | METRIC | ☉ |
| | ▽=0 | 3 PLACES ± --- ± .005 | mm INCH | DRAWN BY DATE | TITLE | |
| | ▽=0 | 2 PLACES ± 0.13 ± .010 | 1 PLACE ± 0.25 ± --- | HAVERY 00/04/06 | SALES ASSEMBLY Z AXIS PLUGGABLE PCB CONNECTOR | |
| REV | DESCRIPTION | 0 PLACE ± ± | CHECKED BY DATE | DOCUMENT NO. | | SHEET NO. |
| Y | | ANGULAR ±1/2° | APPROVED BY DATE | SD-74441-001 | | 6 OF 7 |
| | | DRAFT WHERE APPLICABLE MUST REMAIN WITHIN DIMENSIONS | MATERIAL NO. | SEE TBL, SHT 1 | | |
| | | | SIZE | THIS DRAWING CONTAINS INFORMATION THAT IS PROPRIETARY TO MOLEX INCORPORATED AND SHOULD NOT BE USED WITHOUT WRITTEN PERMISSION | | |



70 CIRCUIT MOTHER BOARD
RECOMMENDED PCB LAYOUT

| | | | | | | |
|---|-----------------|--|-------------------|---|--------------|------------------------|
| SEE SHEET 1 EC NO: UCP2016-4520 DRWNS:VANG01 2016/06/10 CHKD:BBARKER 2016/06/10 APPR:SMILLER 2016/07/25 | QUALITY SYMBOLS | GENERAL TOLERANCES (UNLESS SPECIFIED) | DIMENSION STYLE | SCALE | DESIGN UNITS | THIRD ANGLE PROJECTION |
| | ▽=0 | mm INCH | MM/IN | 6:1 | METRIC | ☉ |
| | ▽=0 | 4 PLACES ± --- ± --- | DRAWN BY DATE | | | |
| | ▽=0 | 3 PLACES ± --- ± .005 | HAVERY 00/04/06 | TITLE | | |
| | | 2 PLACES ± 0.13 ± .010 | CHECKED BY DATE | SALES ASSEMBLY Z AXIS PLUGGABLE PCB CONNECTOR | | |
| | | 1 PLACE ± 0.25 ± --- | APPROVED BY DATE | molex DOCUMENT NO. SD-74441-001 SHEET NO. 7 OF 7 | | |
| | | 0 PLACE ± ± | MBANAKIS 00/04/06 | | | |
| | | ANGULAR ±1/2° | MATERIAL NO. | | | |
| | | DRAFT WHERE APPLICABLE MUST REMAIN WITHIN DIMENSIONS | SEE TBL, SHT 1 | | | |
| | | | SIZE C | THIS DRAWING CONTAINS INFORMATION THAT IS PROPRIETARY TO MOLEX INCORPORATED AND SHOULD NOT BE USED WITHOUT WRITTEN PERMISSION | | |