



Chipsmall Limited consists of a professional team with an average of over 10 year of expertise in the distribution of electronic components. Based in Hongkong, we have already established firm and mutual-benefit business relationships with customers from,Europe,America and south Asia,supplying obsolete and hard-to-find components to meet their specific needs.

With the principle of “Quality Parts,Customers Priority,Honest Operation,and Considerate Service”,our business mainly focus on the distribution of electronic components. Line cards we deal with include Microchip,ALPS,ROHM,Xilinx,Pulse,ON,Everlight and Freescale. Main products comprise IC,Modules,Potentiometer,IC Socket,Relay,Connector.Our parts cover such applications as commercial,industrial, and automotives areas.

We are looking forward to setting up business relationship with you and hope to provide you with the best service and solution. Let us make a better world for our industry!



Contact us

Tel: +86-755-8981 8866 Fax: +86-755-8427 6832

Email & Skype: info@chipsmall.com Web: www.chipsmall.com

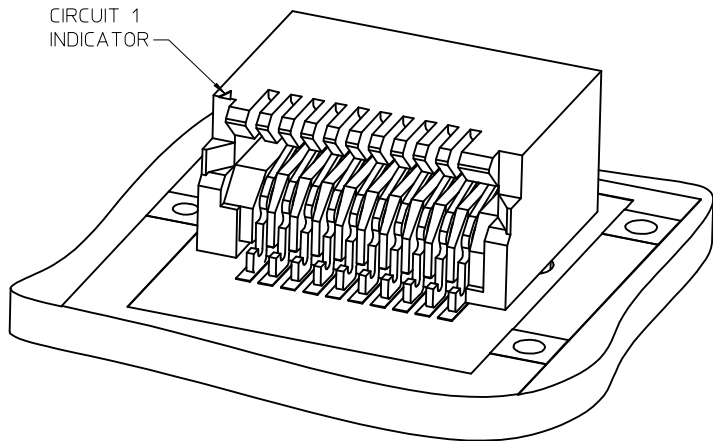
Address: A1208, Overseas Decoration Building, #122 Zhenhua RD., Futian, Shenzhen, China



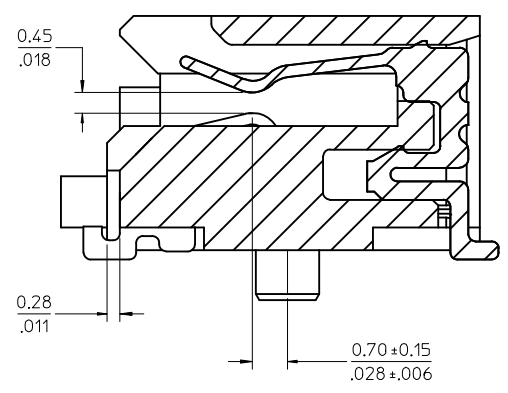
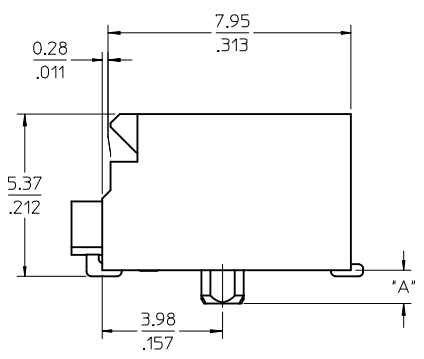
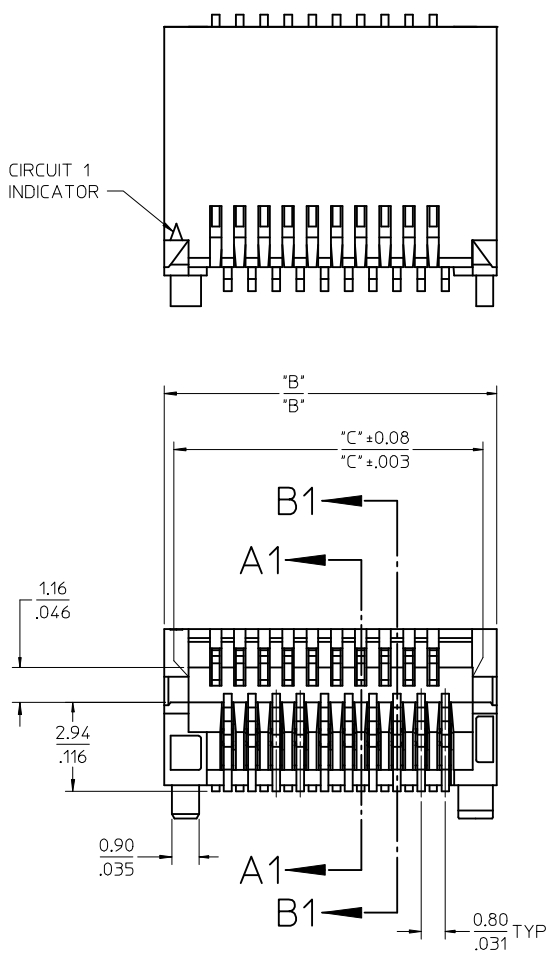
CKT SIZE	PART NUMBER	TOOLED	DESCRIPTION	"A"	"B"	"C"	"D"	MULTI-SOURCE AGREEMENT	CONNECTOR DRAWING	CIRCUIT BOARD DRAWING
20	74441-0001	YES	PLATED PER NOTE 2	1.10/.043	11.00/.433	9.40/.370	9.60/.378	SFP	PAGE 2	PAGE 3
	74441-0004	NO*	PLATED PER NOTE 2	0.76/.030						
	74441-0010	YES	PLATED PER NOTE 3	1.10/.043						
	74441-0014	NO*	PLATED PER NOTE 3	0.76/.030						
	74441-0021	YES	PLATED PER NOTE 4	1.10/.043						
	74441-0031	YES	PLATED PER NOTE 5	1.10/.043						
30	74441-0007	YES	PLATED PER NOTE 2	1.10/.043	15.00/.591	13.40/.528	13.60/.535	XFP	PAGE 2	PAGE 4
	74441-0017	YES	PLATED PER NOTE 3	1.10/.043						
	74441-0027	YES	PLATED PER NOTE 4	1.10/.043						
40	74441-0005	YES	PLATED PER NOTE 2	1.10/.043	19.00/.748	17.40/.685	17.60/.693		PAGE 2	PAGE 5
	74441-0015	YES	PLATED PER NOTE 3	1.10/.043						
	74441-0025	YES	PLATED PER NOTE 4	1.10/.043						
50	74441-0008	YES	PLATED PER NOTE 2	1.10/.043	23.00/.906	21.40/.843	21.60/.850		PAGE 2	PAGE 6
	74441-0018	YES	PLATED PER NOTE 3	1.10/.043						
	74441-0028	YES	PLATED PER NOTE 4	1.10/.043						
	74441-0038	YES	PLATED PER NOTE 5	1.10/.043						
70	74441-0003	YES	PLATED PER NOTE 2	1.10/.043	31.00/1.220	29.40/1.157	29.60/1.165	XENPAK XPAK X2	PAGE 2	PAGE 7
	74441-0013	YES	PLATED PER NOTE 3	1.10/.043						
	74441-0023	YES	PLATED PER NOTE 4	1.10/.043						
	74441-0033	YES	PLATED PER NOTE 5	1.10/.043						

NOTES

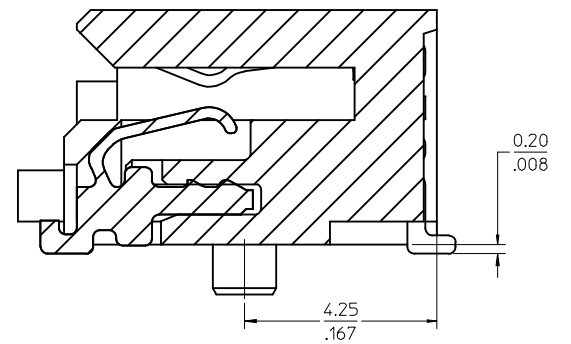
- MATERIAL:**
HOUSING - HIGH TEMPERATURE THERMOPLASTIC GLASS FILLED, UL 94V-0, BLACK
TERMINALS - COPPER ALLOY
- PLATING (SEE TABLE):**
CONTACT AREA - 0.38 MICROMETER MINIMUM GOLD OVER NICKEL
SOLDER FOOT AREA - 2.54 MICROMETER MINIMUM TIN OVER NICKEL
- PLATING (SEE TABLE):**
CONTACT AREA - 0.76 MICROMETER MINIMUM GOLD OVER NICKEL
SOLDER AREA - 2.54 MICROMETER MINIMUM TIN OVER NICKEL
- PLATING (SEE TABLE):**
CONTACT AREA - 0.76 MICROMETER MINIMUM GOLD OVER NICKEL, LUBRICATED
SOLDER AREA: GOLD FLASH OVER NICKEL
- PLATING (SEE TABLE):**
CONTACT AREA - 0.76 MICROMETER MINIMUM GOLD OVER 2.54 NICKEL
SOLDER AREA: GOLD FLASH OVER NICKEL.
- PLATING (SEE TABLE):**
CONTACT AREA - 0.38 MICROMETER MINIMUM GOLD OVER NICKEL,
SOLDER AREA: GOLD FLASH OVER NICKEL.
- SOLDER FEET COPLANAR WITHIN 0.10/0.04 FOR 20, 30 AND 40 CIRCUIT CONNECTORS,
WITHIN 0.15/0.06 FOR 50 AND 70 CIRCUIT CONNECTORS**
- * CONTACT PLANT FOR MORE INFORMATION**
- DATE CODE: 4 DIGIT (3 DIGIT DAY, 1 DIGIT YEAR)**
- THE CIRCUIT 1 INDICATOR MAY VARY IN SIZE AND APPEARANCE.**



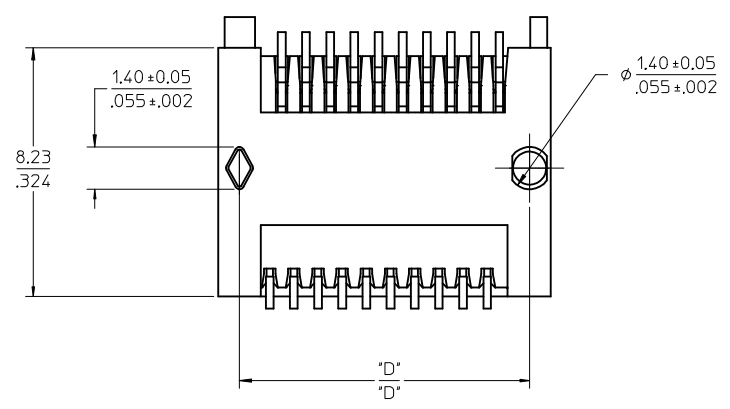
CLARIFY NOTE 10 EC NO: UCP2013-3493 DRW: MBARKER 2013/02/18 CHKD: APPR: MBANAKIS 2013/04/09	QUALITY SYMBOLS ▽=0 ▽=0 ▽=0	GENERAL TOLERANCES (UNLESS SPECIFIED) mm INCH 4 PLACES ± --- ± --- 3 PLACES ± --- ± --- 2 PLACES ± 0.13 ± .005 1 PLACE ± 0.25 ± .010 0 PLACE ± ±	DIMENSION STYLE MM/IN DRAWN BY DATE HAVERY 00/04/06 CHECKED BY DATE KSWEENEY 00/04/06 APPROVED BY DATE MBANAKIS 00/04/06	SCALE 1:1 DESIGN UNITS METRIC	THIRD ANGLE PROJECTION
	DRAFT WHERE APPLICABLE MUST REMAIN WITHIN DIMENSIONS		MATERIAL NO. SEE TABLE	DOCUMENT NO. SD-74441-001	SHEET NO. 1 OF 7
	SALES ASSEMBLY Z AXIS PLUGGABLE PCB CONNECTOR 				
	THIS DRAWING CONTAINS INFORMATION THAT IS PROPRIETARY TO MOLEX INCORPORATED AND SHOULD NOT BE USED WITHOUT WRITTEN PERMISSION				



SECTION A1-A1
SCALE 12:1



SECTION B1-B1
SCALE 12:1

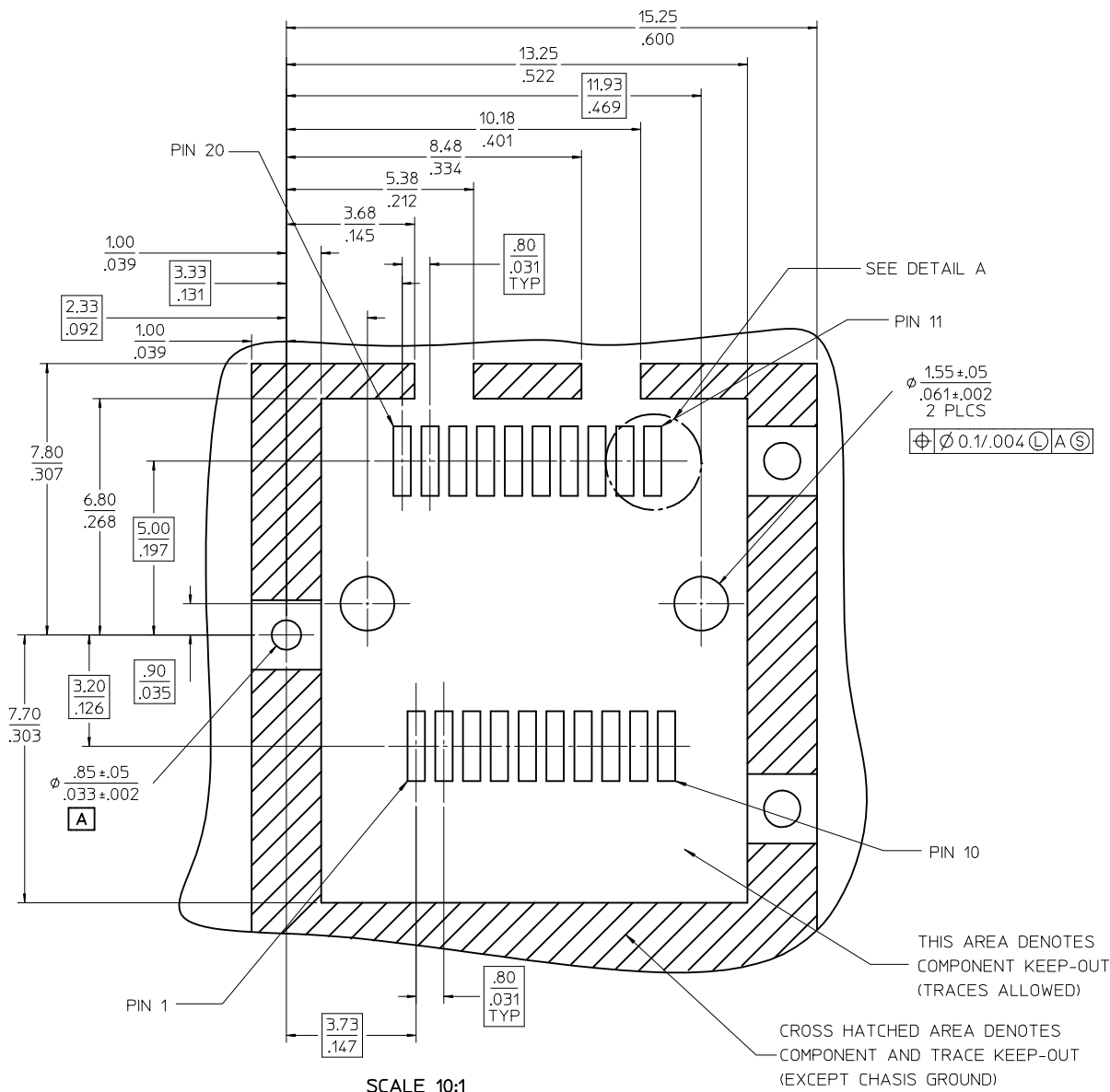


SEE SHEET 1 EC NO: UCP2013-3493 DRW:MBARKER 2013/02/18 CHKD: APPR:MBANAKIS 2013/04/09	QUALITY SYMBOLS	GENERAL TOLERANCES (UNLESS SPECIFIED)	DIMENSION STYLE	SCALE	DESIGN UNITS	THIRD ANGLE PROJECTION
	▽=0	mm	MM/IN	6:1	METRIC	☉
	▽=0	INCH				
	▽=0					

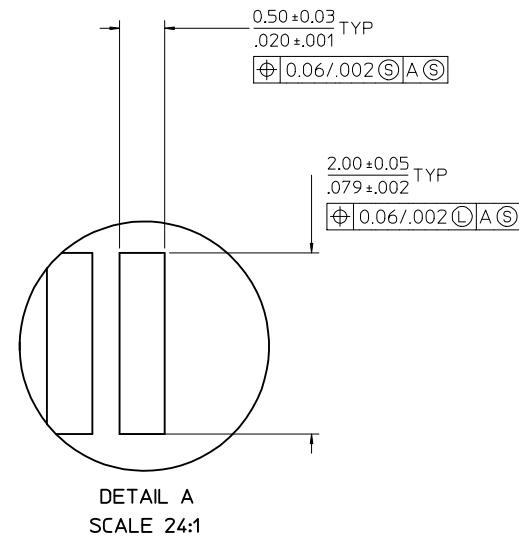
4 PLACES	± ---	± ---
3 PLACES	± ---	± ---
2 PLACES	± 0.13	± .005
1 PLACE	± 0.25	± .010
0 PLACE	±	±
ANGULAR ±1/2°		
DRAFT WHERE APPLICABLE MUST REMAIN WITHIN DIMENSIONS		

DRAWN BY	DATE
HAVERY	00/04/06
CHECKED BY	DATE
KSWEENEY	00/04/06
APPROVED BY	DATE
MBANAKIS	00/04/06
MATERIAL NO.	
SEE TBL, SHT 1	

TITLE		DOCUMENT NO.		SHEET NO.
SALES ASSEMBLY Z AXIS PLUGGABLE PCB CONNECTOR		SD-74441-001		2 OF 7
molex				
THIS DRAWING CONTAINS INFORMATION THAT IS PROPRIETARY TO MOLEX INCORPORATED AND SHOULD NOT BE USED WITHOUT WRITTEN PERMISSION				



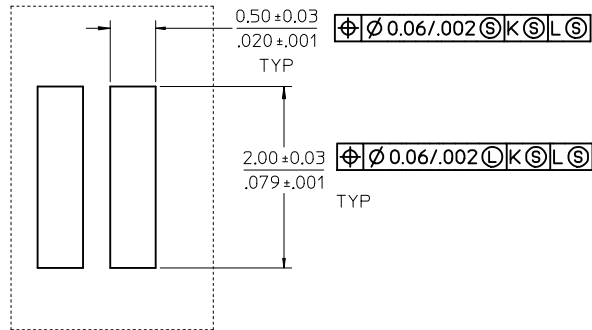
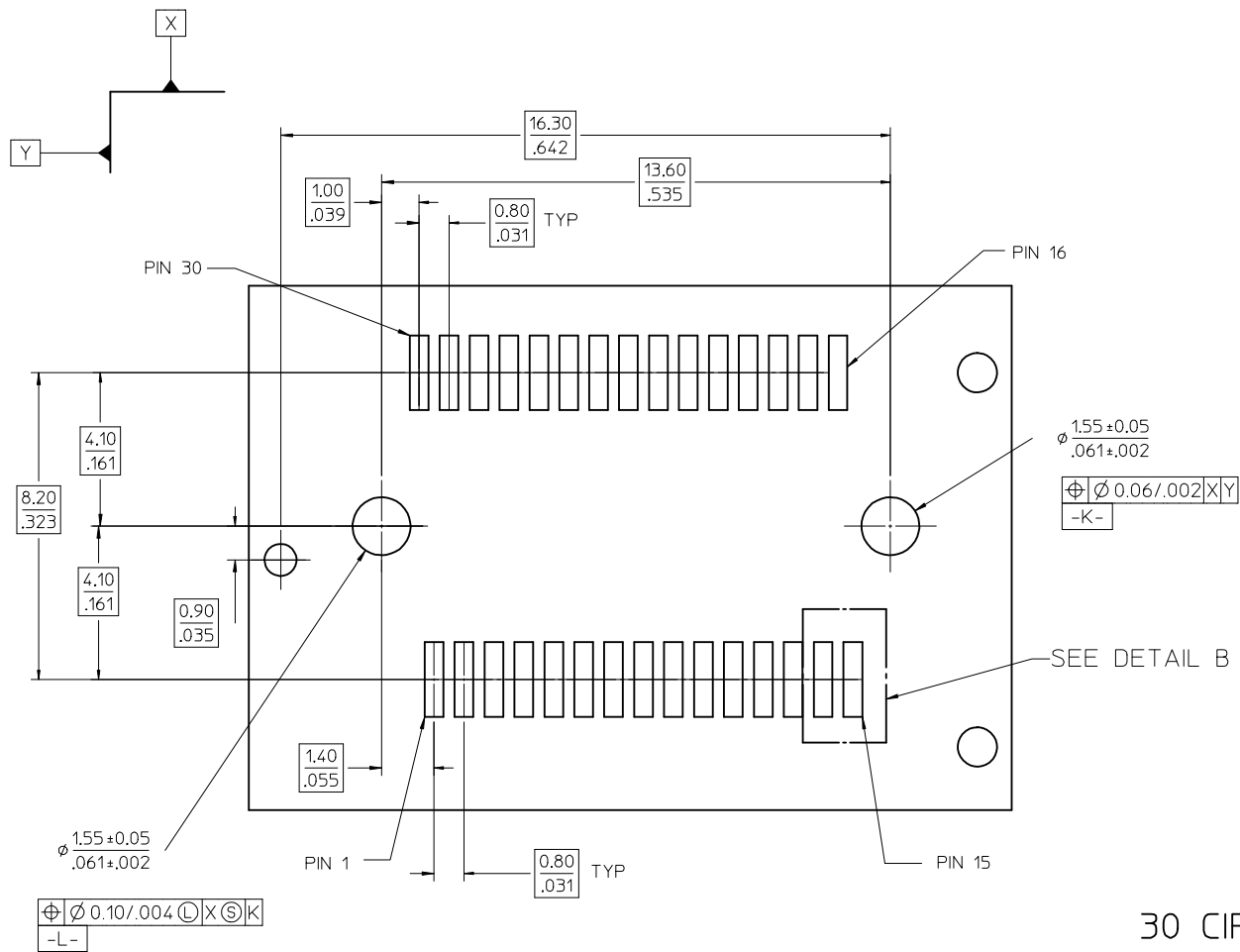
SCALE 10:1



DETAIL A
SCALE 24:1

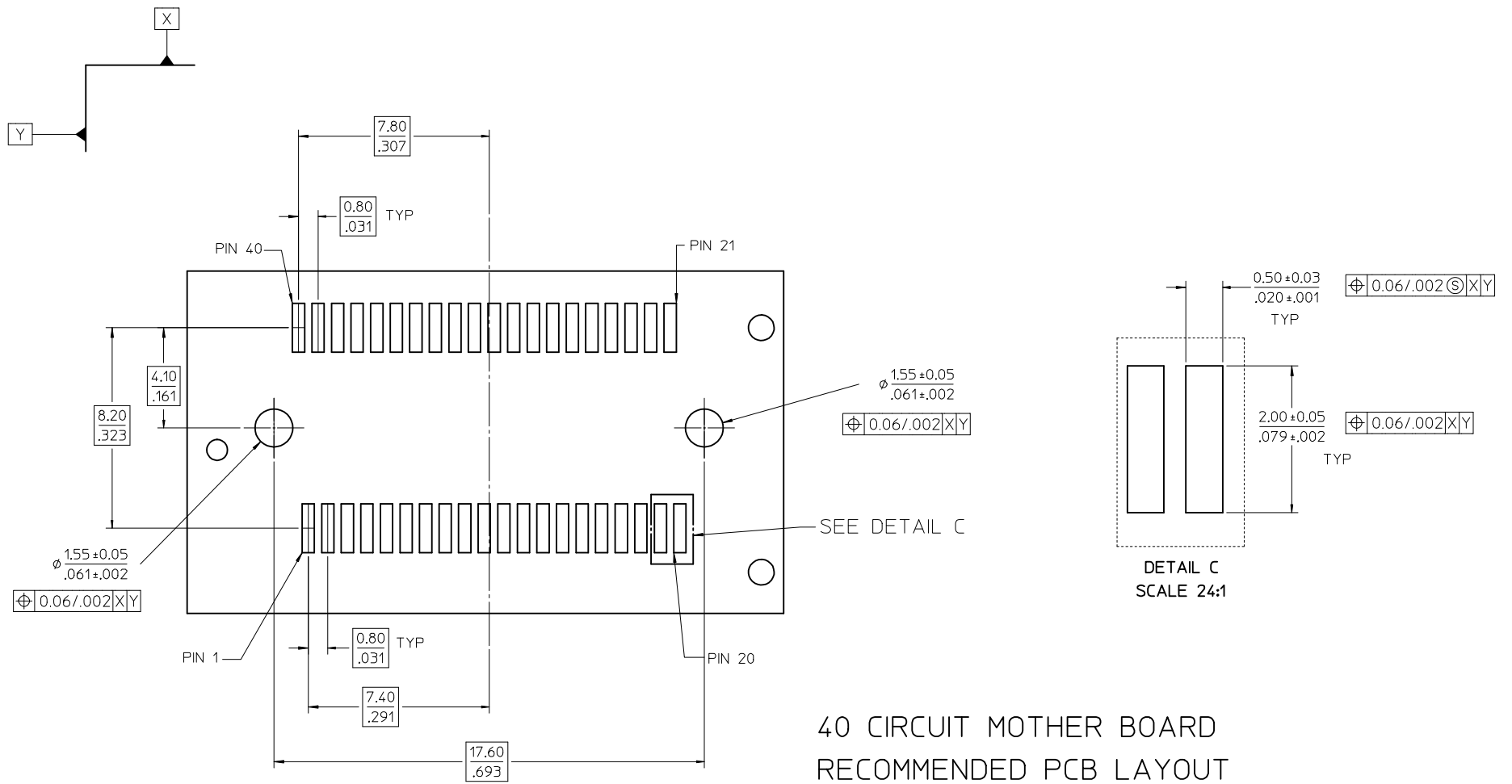
20 CIRCUIT MOTHER BOARD RECOMMENDED PCB LAYOUT

SEE SHEET 1 EC NO: UCP2013-3493 DRWN:BBARKER 2013/02/18 CHKD: APPR:MBANAKIS 2013/04/09	QUALITY SYMBOLS 	GENERAL TOLERANCES (UNLESS SPECIFIED) <table border="1"> <thead> <tr> <th></th> <th>mm</th> <th>INCH</th> </tr> </thead> <tbody> <tr> <td>4 PLACES</td> <td>± .005</td> <td>± .0005</td> </tr> <tr> <td>3 PLACES</td> <td>± .005</td> <td>± .0005</td> </tr> <tr> <td>2 PLACES</td> <td>± 0.13</td> <td>± .005</td> </tr> <tr> <td>1 PLACE</td> <td>± 0.25</td> <td>± .010</td> </tr> <tr> <td>0 PLACE</td> <td>±</td> <td>±</td> </tr> </tbody> </table>		mm	INCH	4 PLACES	± .005	± .0005	3 PLACES	± .005	± .0005	2 PLACES	± 0.13	± .005	1 PLACE	± 0.25	± .010	0 PLACE	±	±	DIMENSION STYLE MM/IN	SCALE 8:1	DESIGN UNITS METRIC	THIRD ANGLE PROJECTION
		mm	INCH																					
	4 PLACES	± .005	± .0005																					
	3 PLACES	± .005	± .0005																					
2 PLACES	± 0.13	± .005																						
1 PLACE	± 0.25	± .010																						
0 PLACE	±	±																						
DRAWN BY HAVERY 00/04/06	DATE 00/04/06	CHECKED BY KSWEENEY 00/04/06	DATE 00/04/06	SALES ASSEMBLY Z AXIS PLUGGABLE PCB CONNECTOR																				
APPROVED BY MBANAKIS 00/04/06	DATE 00/04/06	MATERIAL NO. SEE TBL, SHT 1					DOCUMENT NO. SD-74441-001	SHEET NO. 3 OF 7																
DRAFT WHERE APPLICABLE MUST REMAIN WITHIN DIMENSIONS		THIS DRAWING CONTAINS INFORMATION THAT IS PROPRIETARY TO MOLEX INCORPORATED AND SHOULD NOT BE USED WITHOUT WRITTEN PERMISSION																						



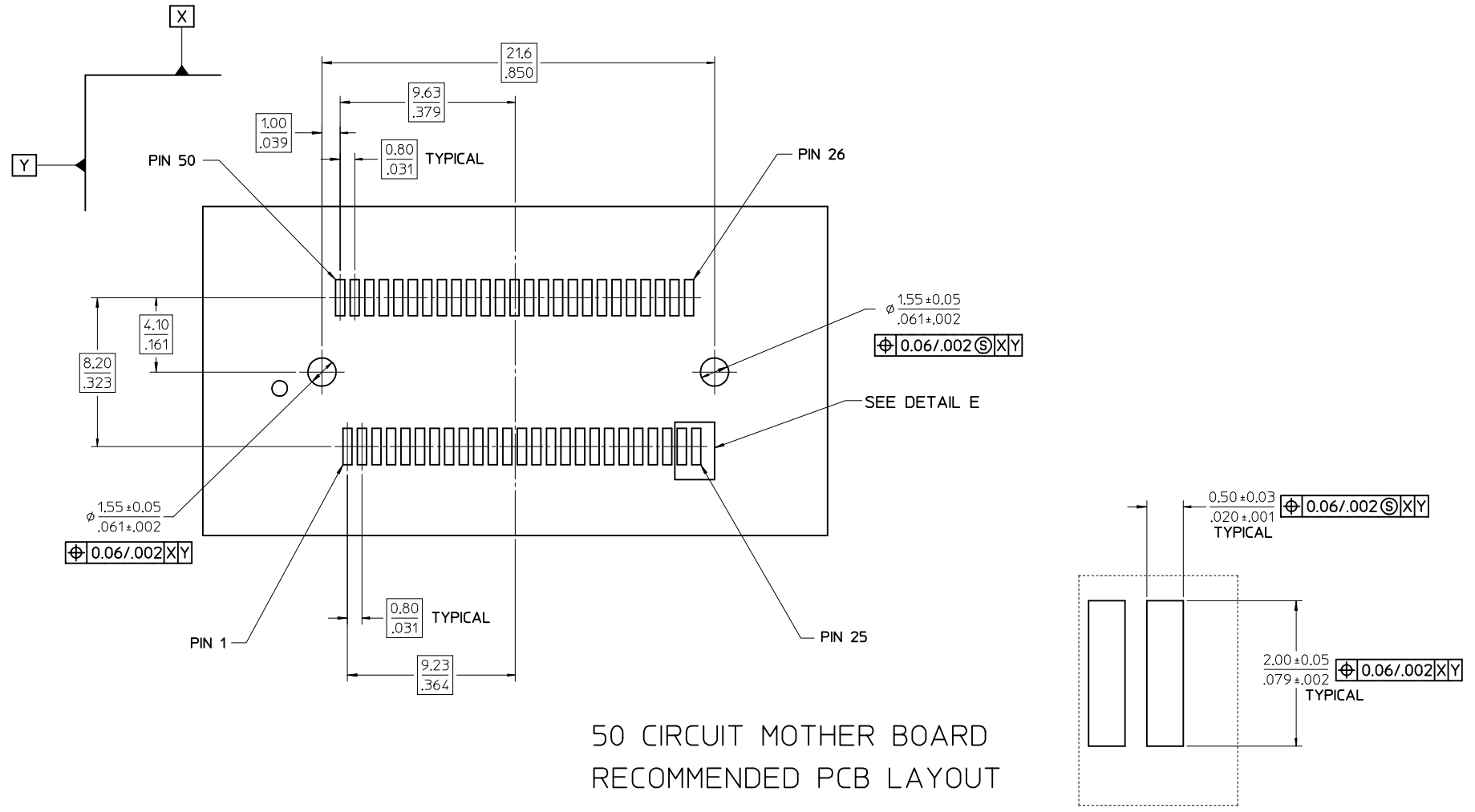
30 CIRCUIT MOTHER BOARD
RECOMMENDED PCB LAYOUT

SEE SHEET 1 EC NO: UCP2013-3493 DRWN:BBARKER 2013/02/18 CHKD: APPR:MBANAK IS 2013/04/09	QUALITY SYMBOLS	GENERAL TOLERANCES (UNLESS SPECIFIED)		DIMENSION STYLE		SCALE	DESIGN UNITS	THIRD ANGLE PROJECTION	
	▽=0	mm	INCH	MM/IN		6:1	METRIC		
	▽=0	4 PLACES ± --- ± ---		DRAWN BY	DATE	SALES ASSEMBLY Z AXIS PLUGGABLE PCB CONNECTOR molex			
	▽=0	3 PLACES ± --- ± ---	HAVERY	00/04/06					
REV	DESCRIPTION	2 PLACES ± 0.13 ± .005	CHECKED BY	DATE	DOCUMENT NO. SD-74441-001 SHEET NO. 4 OF 7				
		1 PLACE ± 0.25 ± .010	KSWEENEY	00/04/06					
		0 PLACE ± ±	APPROVED BY	DATE	THIS DRAWING CONTAINS INFORMATION THAT IS PROPRIETARY TO MOLEX INCORPORATED AND SHOULD NOT BE USED WITHOUT WRITTEN PERMISSION				
			MBANAK IS	00/04/06					
			ANGULAR ±1/2°		MATERIAL NO.				
			DRAFT WHERE APPLICABLE MUST REMAIN WITHIN DIMENSIONS		SEE TBL, SHT 1				

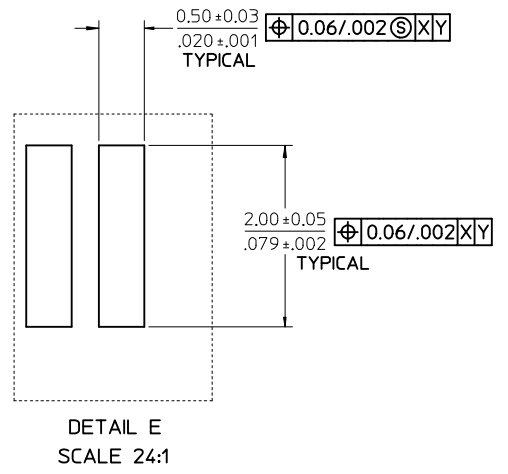


40 CIRCUIT MOTHER BOARD
RECOMMENDED PCB LAYOUT

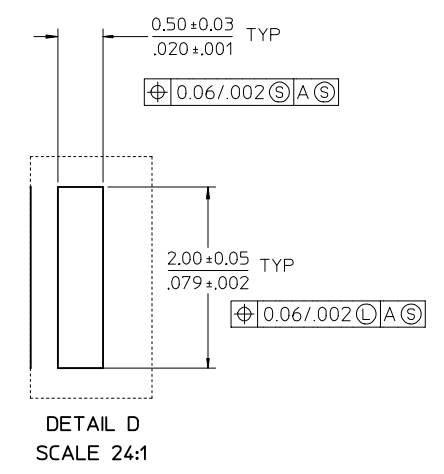
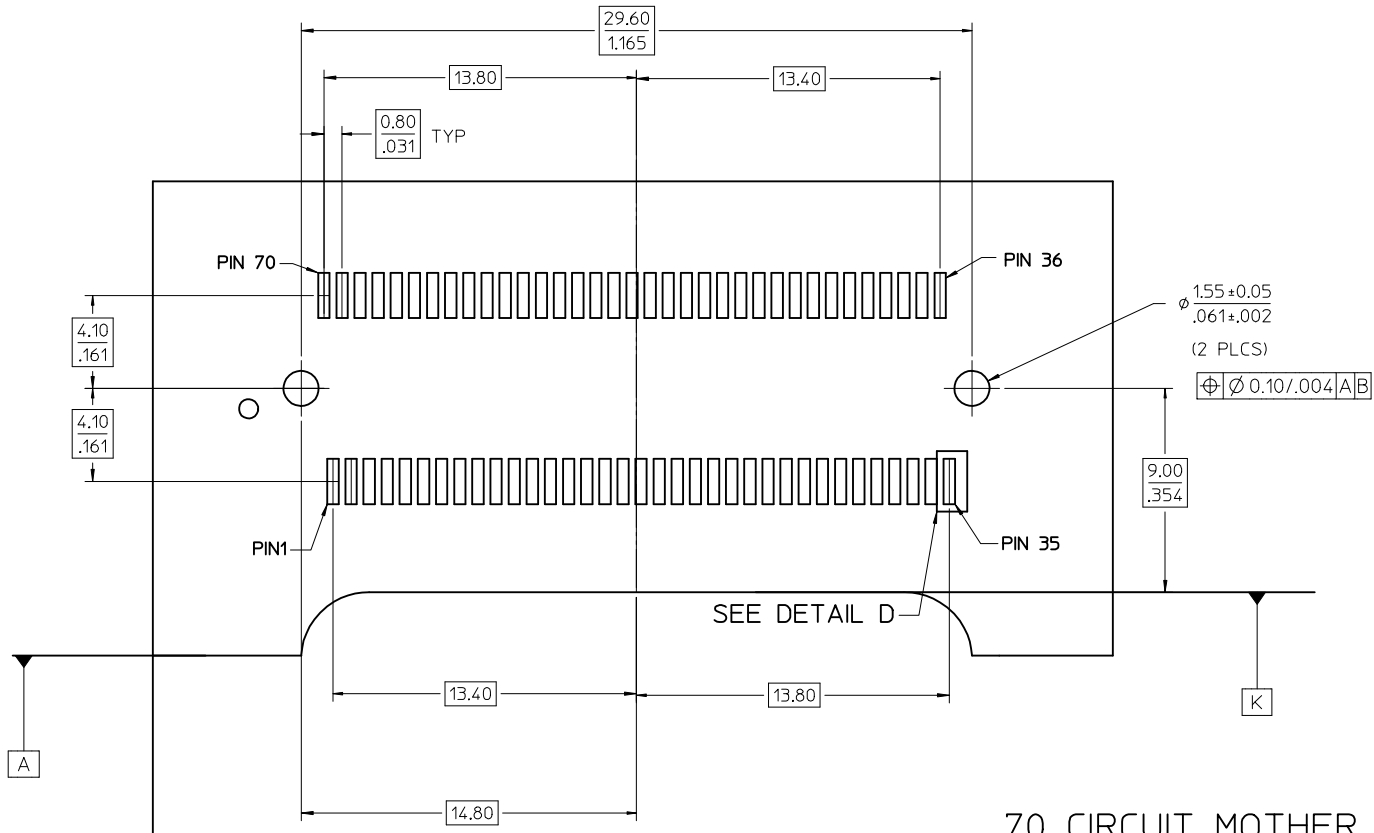
SEE SHEET 1 EC NO: UCP2013-3493 DRWN:BBARKER 2013/02/18 CHKD: APPR:MBANAKIS 2013/04/09	QUALITY SYMBOLS	GENERAL TOLERANCES (UNLESS SPECIFIED)	DIMENSION STYLE	SCALE	DESIGN UNITS	THIRD ANGLE PROJECTION
	▽=0	mm INCH	MM/IN	6:1	METRIC	
	▽=0	4 PLACES ± --- ± ---	DRAWN BY DATE	TITLE	SALES ASSEMBLY Z AXIS PLUGGABLE PCB CONNECTOR molex	
	▽=0	3 PLACES ± --- ± ---	HAVERY 00/04/06	SD-74441-001		
	2 PLACES ± 0.13 ± .005	CHECKED BY DATE	DOCUMENT NO.		SHEET NO.	
	1 PLACE ± 0.25 ± .010	KSWEENEY 00/04/06	SD-74441-001		5 OF 7	
	0 PLACE ± ±	APPROVED BY DATE	THIS DRAWING CONTAINS INFORMATION THAT IS PROPRIETARY TO MOLEX INCORPORATED AND SHOULD NOT BE USED WITHOUT WRITTEN PERMISSION			
		MBANAKIS 00/04/06				
		MATERIAL NO.				
		SEE TBL, SHT 1				
		ANGULAR ±1/2°				
		DRAFT WHERE APPLICABLE MUST REMAIN WITHIN DIMENSIONS				



50 CIRCUIT MOTHER BOARD
RECOMMENDED PCB LAYOUT



SEE SHEET 1 IEC NO: UCP2013-3493 DRWN:BBARKER 2013/02/18 CHKD: APPR:MBANAKIS 2013/04/09	QUALITY SYMBOLS	GENERAL TOLERANCES (UNLESS SPECIFIED)		DIMENSION STYLE	SCALE	DESIGN UNITS	THIRD ANGLE PROJECTION
	▽=0	mm	INCH	MM/IN	6:1	METRIC	☉
	▽=0	4 PLACES ± ---	± ---	DRAWN BY	DATE	TITLE	
	▽=0	3 PLACES ± ---	± ---	HAVERY	00/04/06	SALES ASSEMBLY Z AXIS PLUGGABLE PCB CONNECTOR	
	2 PLACES ± 0.13	± .005	CHECKED BY	DATE	molex DOCUMENT NO. SD-74441-001 SHEET NO. 6 OF 7		
	1 PLACE ± 0.25	± .010	KSWEENEY	00/04/06			
	0 PLACE ±	±	APPROVED BY	DATE			
			MBANAKIS	00/04/06			
			MATERIAL NO.				
			ANGULAR ±1/2°				
			DRAFT WHERE APPLICABLE MUST REMAIN WITHIN DIMENSIONS				
			SIZE	THIS DRAWING CONTAINS INFORMATION THAT IS PROPRIETARY TO MOLEX INCORPORATED AND SHOULD NOT BE USED WITHOUT WRITTEN PERMISSION			
			C				



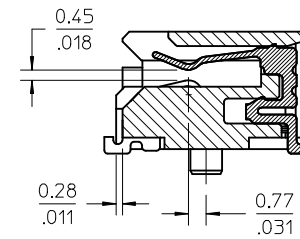
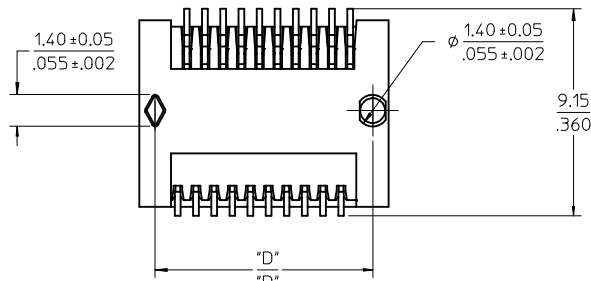
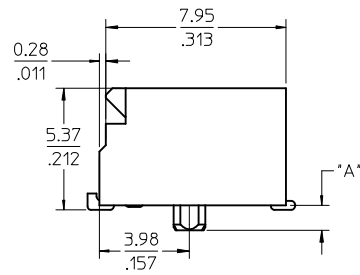
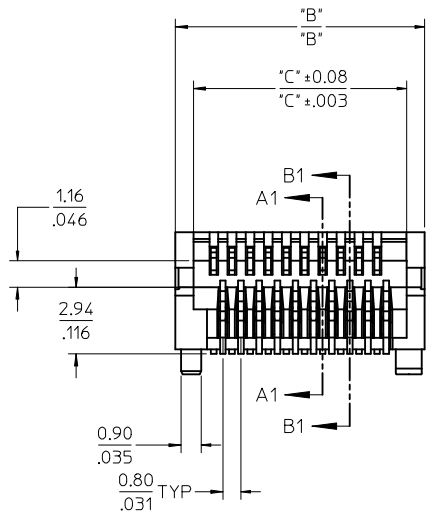
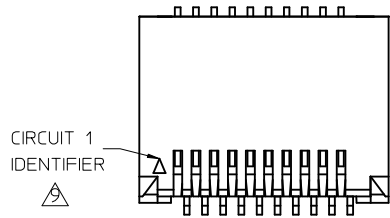
70 CIRCUIT MOTHER BOARD
RECOMMENDED PCB LAYOUT

SEE SHEET 1 EC NO: UCP2013-3493 DRAWN: BBARKER 2013/02/18 CHKD: APPR: MBANAKIS 2013/04/09 REVISION SYMBOLS DESCRIPTION	QUALITY SYMBOLS	GENERAL TOLERANCES (UNLESS SPECIFIED)	DIMENSION STYLE	SCALE	DESIGN UNITS	THIRD ANGLE PROJECTION
		mm INCH	MM/IN	6:1	METRIC	
		4 PLACES ± --- ± ---	DRAWN BY DATE	TITLE		
		3 PLACES ± --- ± ---	CHECKED BY DATE	SALES ASSEMBLY Z AXIS PLUGGABLE PCB CONNECTOR		
	2 PLACES ± 0.13 ± .005	APPROVED BY DATE	molex			
	1 PLACE ± 0.25 ± .010	MATERIAL NO.	DOCUMENT NO.			
	0 PLACE ± ±	SEE TBL, SHT 1	SD-74441-001			
	ANGULAR ±1/2°		SHEET NO.			
	DRAFT WHERE APPLICABLE MUST REMAIN WITHIN DIMENSIONS		7 OF 7			
			THIS DRAWING CONTAINS INFORMATION THAT IS PROPRIETARY TO MOLEX INCORPORATED AND SHOULD NOT BE USED WITHOUT WRITTEN PERMISSION			

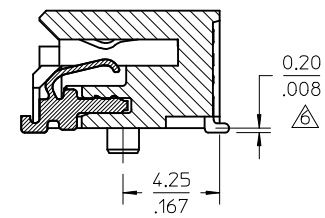
CKT SIZE	PART NUMBER	DESCRIPTION	"A"	"B"	"C"	"D"
20	74441-9001	PLATED PER NOTE 2	1.10/.043	11.00/.433	9.40/.378	9.60/.378
20	74441-9010	PLATED PER NOTE 3	1.10/.043	11.00/.433	9.40/.378	9.60/.378
30	74441-9007	PLATED PER NOTE 2	1.10/.043	15.00/.591	13.40/.528	13.60/.535
40	74441-9005	PLATED PER NOTE 2	1.10/.043	19.00/.748	17.40/.685	17.60/.693
70	74441-9003	PLATED PER NOTE 2	1.10/.043	31.00/1.220	29.40/1.1517	29.60/1.165

NOTES

- MATERIAL:
HOUSING - HIGH TEMPERATURE THERMOPLASTIC GLASS FILLED, UL 94V-0, BLACK
TERMINALS - COPPER ALLOY
 - PLATING:
CONTACT AREA - 0.38 μ m MIN GOLD OVER 2.54 μ m MIN NICKEL
SOLDER FOOT AREA - 2.54 - 5.09 μ m TIN OVER 2.54 μ m MIN NICKEL.
 - PLATING:
CONTACT AREA - 0.76 μ m MIN GOLD OVER 2.54 μ m NICKEL
SOLDER AREA - 2.54 - 5.09 μ m TIN OVER 2.54 μ m MIN NICKEL
 - PLATING:
CONTACT AREA - 0.76 μ m MIN GOLD OVER 2.54 μ m NICKEL, LUBRICATED
SOLDER AREA: GOLD FLASH OVER 2.54 μ m MIN NICKEL.
 - PLATING:
CONTACT AREA - 0.76 μ m MIN GOLD OVER 2.54 μ m NICKEL,
SOLDER AREA: GOLD FLASH OVER 2.54 μ m MIN NICKEL.
- ⚠ TERMINAL SOLDER FEET TO BE COPLANAR WITHIN 0.10/.004 FOR 20, 30 AND 40 CIRCUIT CONNECTORS
TERMINAL SOLDER FEET TO BE COPLANAR WITHIN 0.15/.006 FOR 70 CIRCUIT CONNECTOR
7. * CONTACT PLANT FOR MORE INFORMATION
8. DATE CODE: 4 DIGIT (3 DIGIT DATE, 1 DIGIT YEAR)
- ⚠ CIRCUIT 1 IDENTIFIER LOCATED ON ALL PART NUMBERS



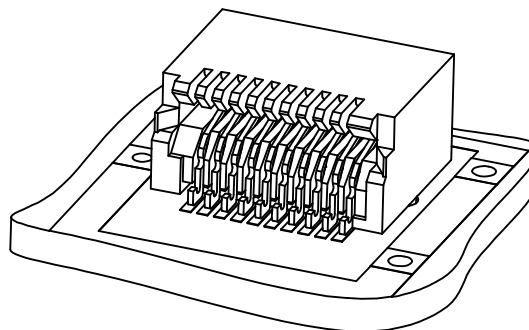
SECTION A1-A1



SECTION B1-B1

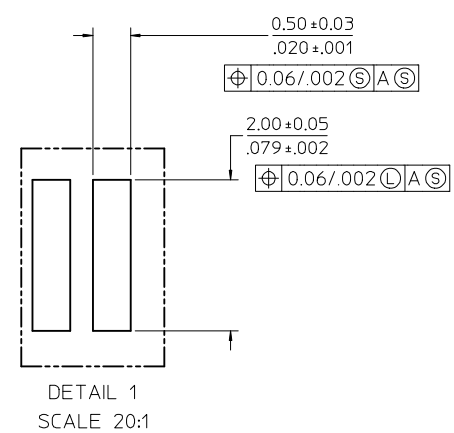
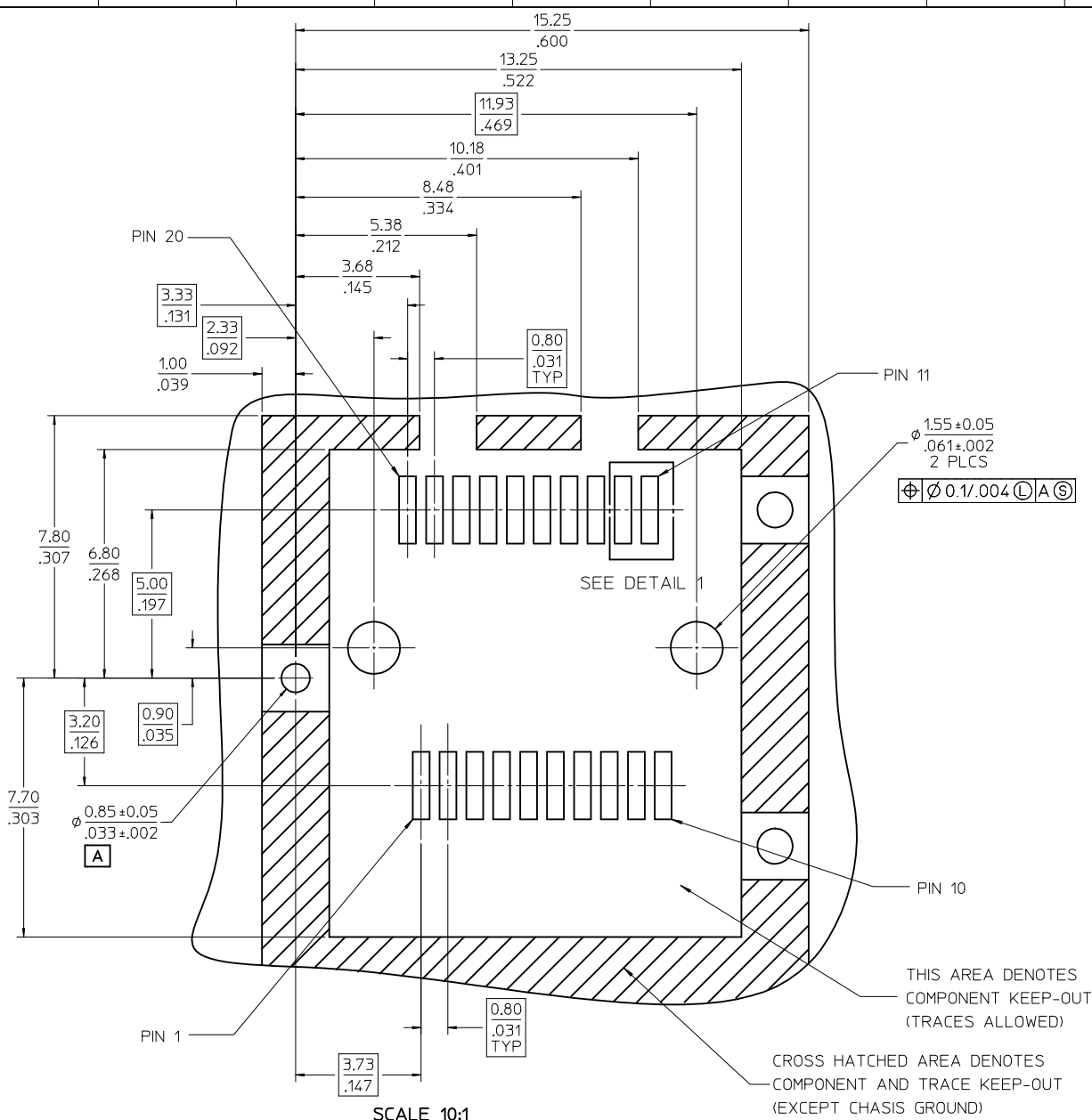
INITIAL RELEASE EC NO: UCP2010-0714 DRW:MS IBARRA 2009/09/16 CHKD:BBARKER 2009/09/24 APPR:SMILLER 2009/09/24	DESCRIPTION REV	QUALITY SYMBOLS	GENERAL TOLERANCES (UNLESS SPECIFIED)	DIMENSION STYLE	SCALE	DESIGN UNITS	THIRD ANGLE PROJECTION	
		▽=0	mm INCH	MM/IN	6:1	METRIC	⊙	
		▽=0	4 PLACES ± --- ± ---	DRAWN BY DATE	TITLE	SALES ASSEMBLY- LEADFREE Z AXIS PLUGGABLE PCB CONNECTOR		
		▽=0	3 PLACES ± --- ± ---	CHECKED BY DATE	MOLEX INCORPORATED			
			2 PLACES ± --- ± ---	APPROVED BY DATE	DOCUMENT NO. SD-74441-004			
			1 PLACE ± --- ± ---	MATERIAL NO.	SHEET NO. 1 OF 6			
			ANGULAR ± 1/2°	SEE TABLE	THIS DRAWING CONTAINS INFORMATION THAT IS PROPRIETARY TO MOLEX INCORPORATED AND SHOULD NOT BE USED WITHOUT WRITTEN PERMISSION			
			DRAFT WHERE APPLICABLE MUST REMAIN WITHIN DIMENSIONS	SIZE				

SALES ASSEMBLY DRAWINGS FOR SMALL FORM-FACTOR AND Z AXIS PLUGGABLE CONNECTORS



CIRCUIT SIZE	MSA	CONNECTOR DRAWING	CIRCUIT BOARD DRAWING
20	SFP	PAGE 2	PAGE 3
30	XFP	PAGE 2	PAGE 4
40		PAGE 2	PAGE 5
70	XENPAK XPAK X2	PAGE 2	PAGE 6

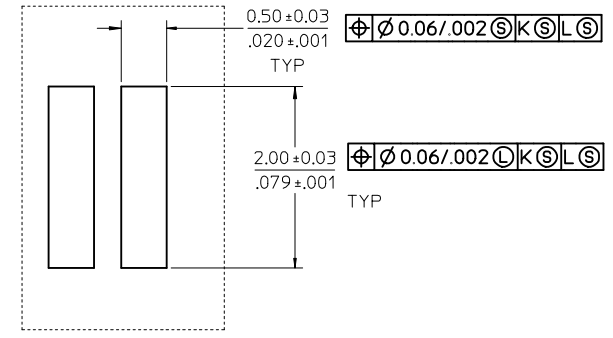
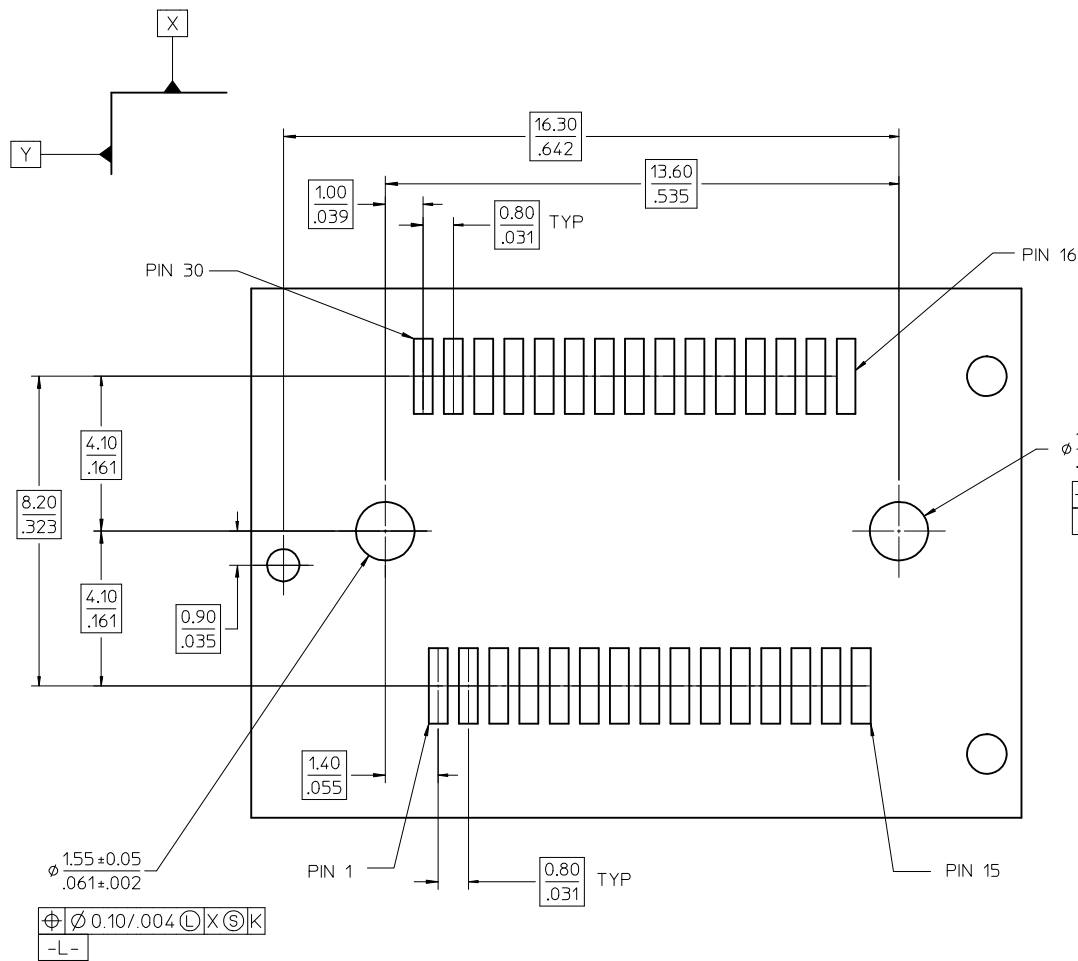
INITIAL RELEASE EC NO: UCP2010-0714 DRW:MSIBARRA 2009/09/16 CHK:BBARKER 2009/09/16 APPR:SMILLER 2009/09/16	DESCRIPTION REV: A	QUALITY SYMBOLS	GENERAL TOLERANCES (UNLESS SPECIFIED)	DIMENSION STYLE	SCALE	DESIGN UNITS	THIRD ANGLE PROJECTION
				MM/IN	1:1	METRIC	
				DRAWN BY DATE	TITLE		
				CHECKED BY DATE	SALES ASSEMBLY- LEADFREE Z AXIS PLUGGABLE PCB CONNECTOR		
				APPROVED BY DATE	MOLEX INCORPORATED		
				SMILLER 2009/09/16	DOCUMENT NO. SD-74441-004		
				MATERIAL NO.	SHEET NO. 2 OF 6		
			DRAFT WHERE APPLICABLE MUST REMAIN WITHIN DIMENSIONS	SEE TABLE	THIS DRAWING CONTAINS INFORMATION THAT IS PROPRIETARY TO MOLEX INCORPORATED AND SHOULD NOT BE USED WITHOUT WRITTEN PERMISSION		



20 CIRCUIT MOTHER BOARD
RECOMMENDED PCB LAYOUT

SCALE 10:1

INITIAL RELEASE EC NO: UCP2010-0714 DRWN:MSIBARRA 2009/09/16 CHKD:BBARKER 2009/09/16 APPR:SMILLER 2009/09/16 REV A	QUALITY SYMBOLS	GENERAL TOLERANCES (UNLESS SPECIFIED)	DIMENSION STYLE	SCALE	DESIGN UNITS	THIRD ANGLE PROJECTION
	▽=0	mm INCH	MM/IN	8:1	METRIC	☉
	▽=0	4 PLACES ± --- ± ---	DRAWN BY DATE	TITLE		
	▽=0	3 PLACES ± --- ± ---	MSIBARRA 2009/09/16	SALES ASSEMBLY- LEADFREE		
	▽=0	2 PLACES ± --- ± ---	CHECKED BY DATE	Z AXIS PLUGGABLE		
	1 PLACE ± --- ± ---	BBARKER 2009/09/16	PCB CONNECTOR			
	ANGULAR ±1/2°	APPROVED BY DATE	MOLEX INCORPORATED			
		SMILLER 2009/09/16	MATERIAL NO. DOCUMENT NO.			
			SEE TABLE		SD-74441-004	SHEET NO. 3 OF 6
			THIS DRAWING CONTAINS INFORMATION THAT IS PROPRIETARY TO MOLEX INCORPORATED AND SHOULD NOT BE USED WITHOUT WRITTEN PERMISSION			

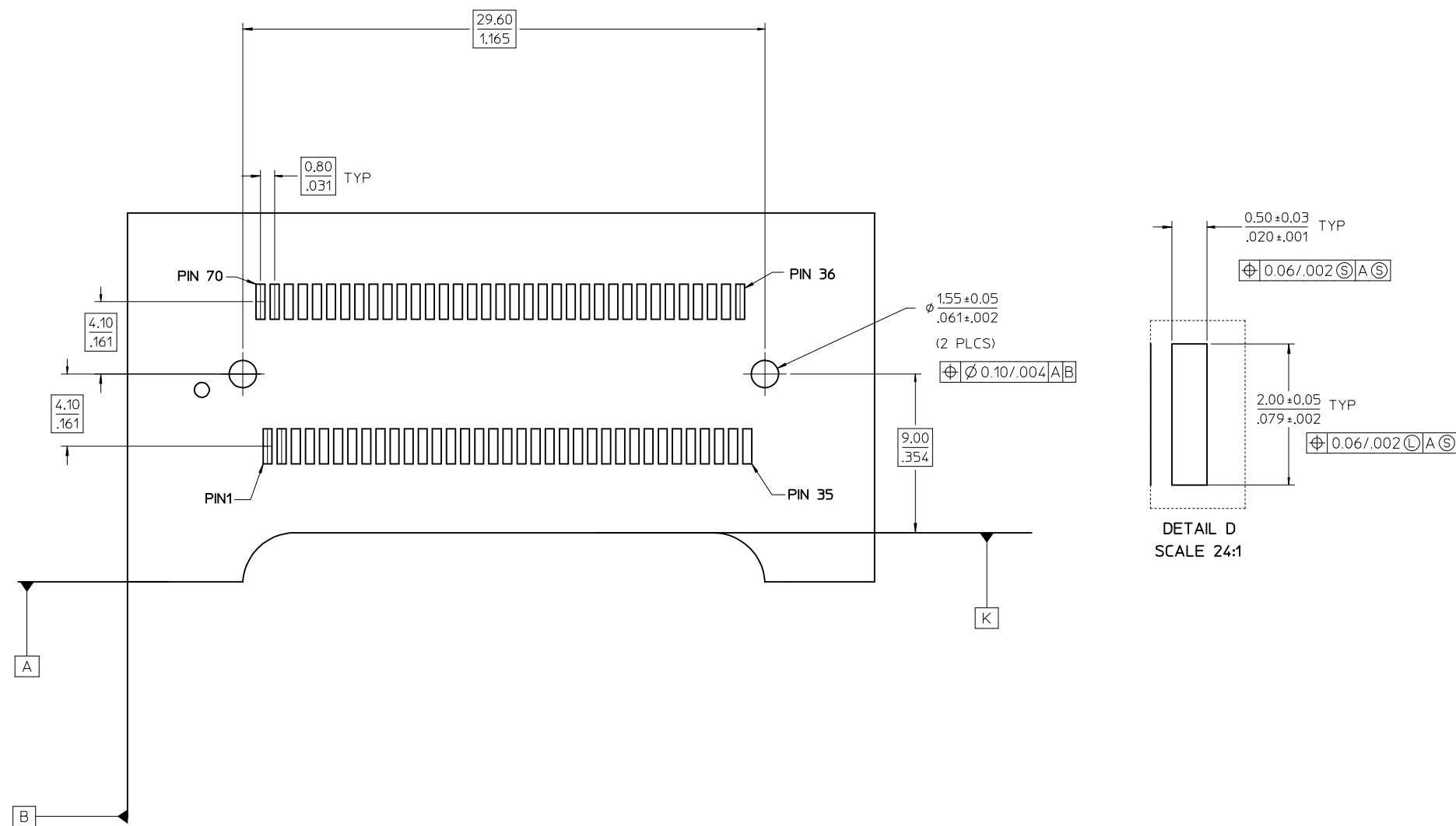


DETAIL B
SCALE 24:1

30 CIRCUIT MOTHER BOARD
RECOMMENDED PCB LAYOUT

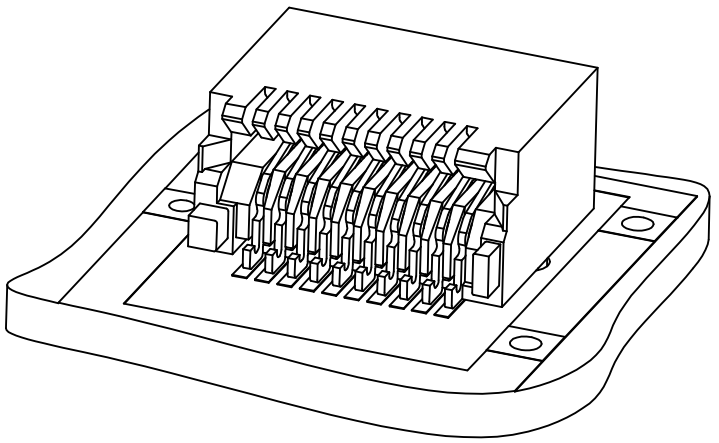
INITIAL RELEASE EC NO: UCP2010-0714 DRW:MS IBARRA 2009/09/16 CHKD:BBARKER 2009/09/24 APPR:SMILLER 2009/09/24	QUALITY SYMBOLS ▽=0 ▽=0 ▽=0	GENERAL TOLERANCES (UNLESS SPECIFIED)		DIMENSION STYLE MM/IN	SCALE 6:1	DESIGN UNITS METRIC	THIRD ANGLE PROJECTION		
		4 PLACES ± --- ± ---	3 PLACES ± --- ± ---	2 PLACES ± --- ± ---	1 PLACE ± --- ± ---	DRAWN BY MS IBARRA	DATE 2009/09/16	TITLE SALES ASSEMBLY- LEADFREE Z AXIS PLUGGABLE PCB CONNECTOR	
		ANGULAR ±1/2°				CHECKED BY BBARKER	DATE 2009/09/16	MOLEX INCORPORATED	
		DRAFT WHERE APPLICABLE MUST REMAIN WITHIN DIMENSIONS				APPROVED BY SMILLER	DATE 2009/09/16	MATERIAL NO. SEE TABLE	DOCUMENT NO. SD-74441-004
REV A	DESCRIPTION	SIZE C		THIS DRAWING CONTAINS INFORMATION THAT IS PROPRIETARY TO MOLEX INCORPORATED AND SHOULD NOT BE USED WITHOUT WRITTEN PERMISSION				SHEET NO. 4 OF 6	

70 CIRCUIT MOTHER BOARD RECOMMENDED PCB LAYOUT



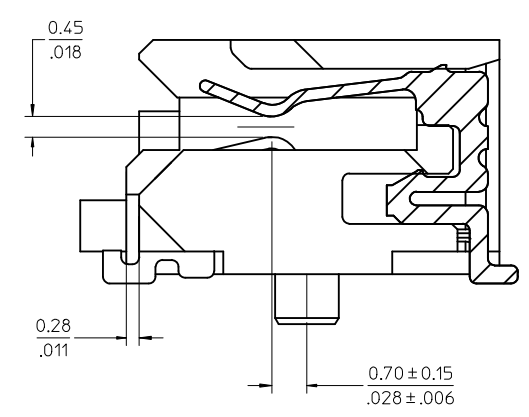
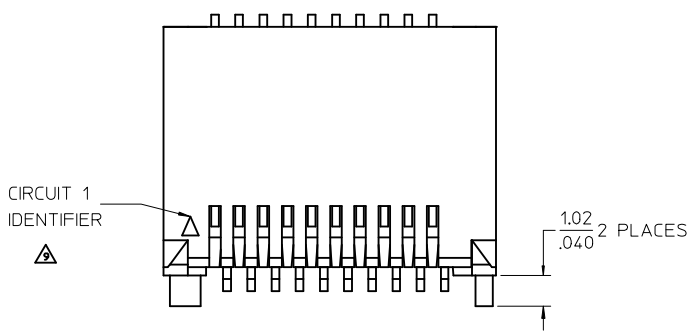
INITIAL RELEASE EC NO: UCP2010-0714 DRW:MSI BARRA 2009/09/16 CHK:DBARKER 2009/09/24 APPR:SMILLER 2009/09/24	QUALITY SYMBOLS ▽=0 ▽=0 ▽=0	GENERAL TOLERANCES (UNLESS SPECIFIED)		DIMENSION STYLE MM/IN		SCALE 6:1	DESIGN UNITS METRIC	THIRD ANGLE PROJECTION		
		4 PLACES	± ---	± ---	DRAWN BY MSI BARRA	DATE 2009/09/16	TITLE SALES ASSEMBLY- LEADFREE Z AXIS PLUGGABLE PCB CONNECTOR			
		3 PLACES	± ---	± ---	CHECKED BY BBARKER	DATE 2009/09/16				
		2 PLACES	± ---	± ---	APPROVED BY SMILLER	DATE 2009/09/16	MOLEX INCORPORATED DOCUMENT NO. SD-74441-004		SHEET NO. 6 OF 6	
1 PLACE	± ---	± ---	MATERIAL NO. SEE TABLE							
ANGULAR ±1/2°		DRAFT WHERE APPLICABLE MUST REMAIN WITHIN DIMENSIONS		SIZE C		THIS DRAWING CONTAINS INFORMATION THAT IS PROPRIETARY TO MOLEX INCORPORATED AND SHOULD NOT BE USED WITHOUT WRITTEN PERMISSION				

CKT SIZE	PART NUMBER	TOOLED	DESCRIPTION	*A*	*B*	*C*	*D*	MULTI-SOURCE AGREEMENT	CONNECTOR DRAWING	CIRCUIT BOARD DRAWING
20	74441-5001	YES	PLATED PER NOTE 2	1.10/.043	11.00/.433	9.40/.370	9.60/.378	SFP+	PAGE 2	PAGE 3
	74441-5010	YES	PLATED PER NOTE 3	1.10/.043						

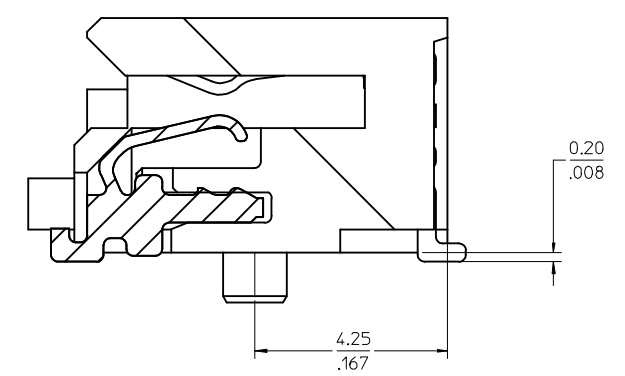
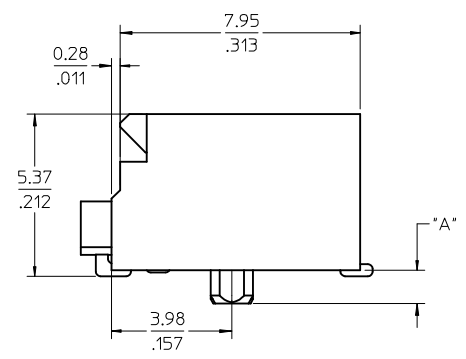
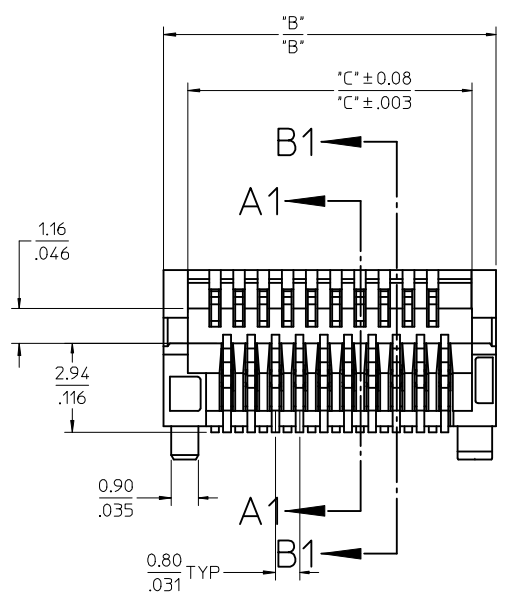


- NOTES**
- MATERIAL:**
HOUSING - HIGH TEMPERATURE THERMOPLASTIC GLASS FILLED, UL 94V-0, BLACK
TERMINALS - COPPER ALLOY
 - PLATING:**
CONTACT AREA - 0.38 μ m MIN GOLD OVER 2.54 μ m MIN NICKEL
SOLDER FOOT AREA - 2.54 - 5.09 μ m TIN OVER 2.54 μ m MIN NICKEL.
 - PLATING:**
CONTACT AREA - 0.76 μ m MIN GOLD OVER 2.54 μ m NICKEL
SOLDER AREA - 2.54 - 5.09 μ m TIN OVER 2.54 μ m MIN NICKEL
 - PLATING:**
CONTACT AREA - 0.76 μ m MIN GOLD OVER 2.54 μ m NICKEL, LUBRICATED
SOLDER AREA: GOLD FLASH OVER 2.54 μ m MIN NICKEL.
 - PLATING:**
CONTACT AREA - 0.76 μ m MIN GOLD OVER 2.54 μ m NICKEL,
SOLDER AREA: GOLD FLASH OVER 2.54 μ m MIN NICKEL.
 - TERMINAL SOLDER FEET TO BE COPLANAR WITHIN 0.10/.004 FOR 20, 30 AND 40 CIRCUIT CONNECTORS
TERMINAL SOLDER FEET TO BE COPLANAR WITHIN 0.15/.006 FOR 70 CIRCUIT CONNECTOR
 - * CONTACT PLANT FOR MORE INFORMATION
 - DATE CODE: 4 DIGIT (3 DIGIT DATE, 1 DIGIT YEAR)
 - CIRCUIT 1 IDENTIFIER LOCATED ON ALL PART NUMBERS

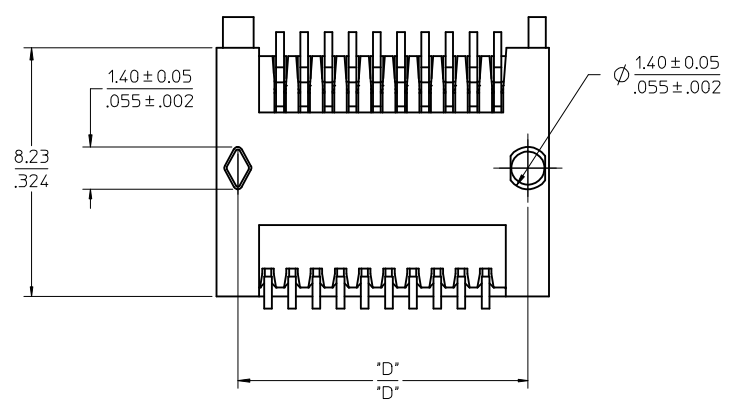
INITIAL RELEASE EC NO: UCP2007-0704 DRWN:MBARRA 2007/07/26 CHKD:BBARKER 2007/07/27 APPR:MBANKS 2007/08/08	QUALITY SYMBOLS ▽=0 ▽=0	GENERAL TOLERANCES (UNLESS SPECIFIED)		DIMENSION STYLE MM/IN		SCALE 1:1	DESIGN UNITS METRIC	THIRD ANGLE PROJECTION		
			mm	INCH	DRAWN BY BBARKER	DATE 2007/01/23	TITLE SALES ASSEMBLY SFP PLUS HOST CONNECTOR 20 CIRCUIT			
		4 PLACES ±.005	±.005	CHECKED BY MSIBARRA	DATE 2007/01/23					
		3 PLACES ±.010	±.010	APPROVED BY SMILLER	DATE 2007/01/23	MATERIAL NO. SEE TABLE		DOCUMENT NO. SD-74441-008		SHEET NO. 1 OF 3
2 PLACES ±0.13	±.010	DRAFT WHERE APPLICABLE MUST REMAIN WITHIN DIMENSIONS		SIZE C		THIS DRAWING CONTAINS INFORMATION THAT IS PROPRIETARY TO MOLEX INCORPORATED AND SHOULD NOT BE USED WITHOUT WRITTEN PERMISSION				
1 PLACE ±0.25	±.005									
		ANGULAR ±1/2°								



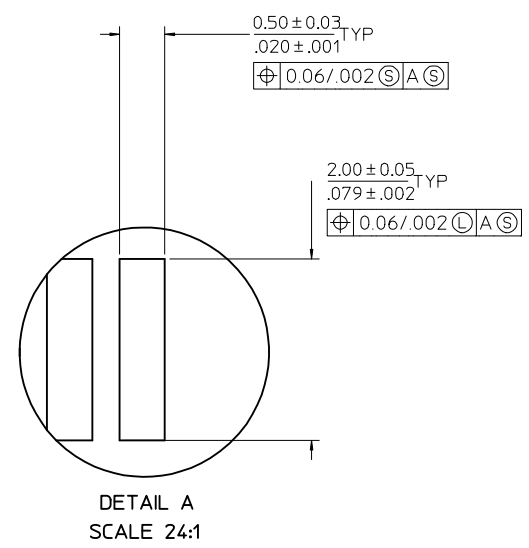
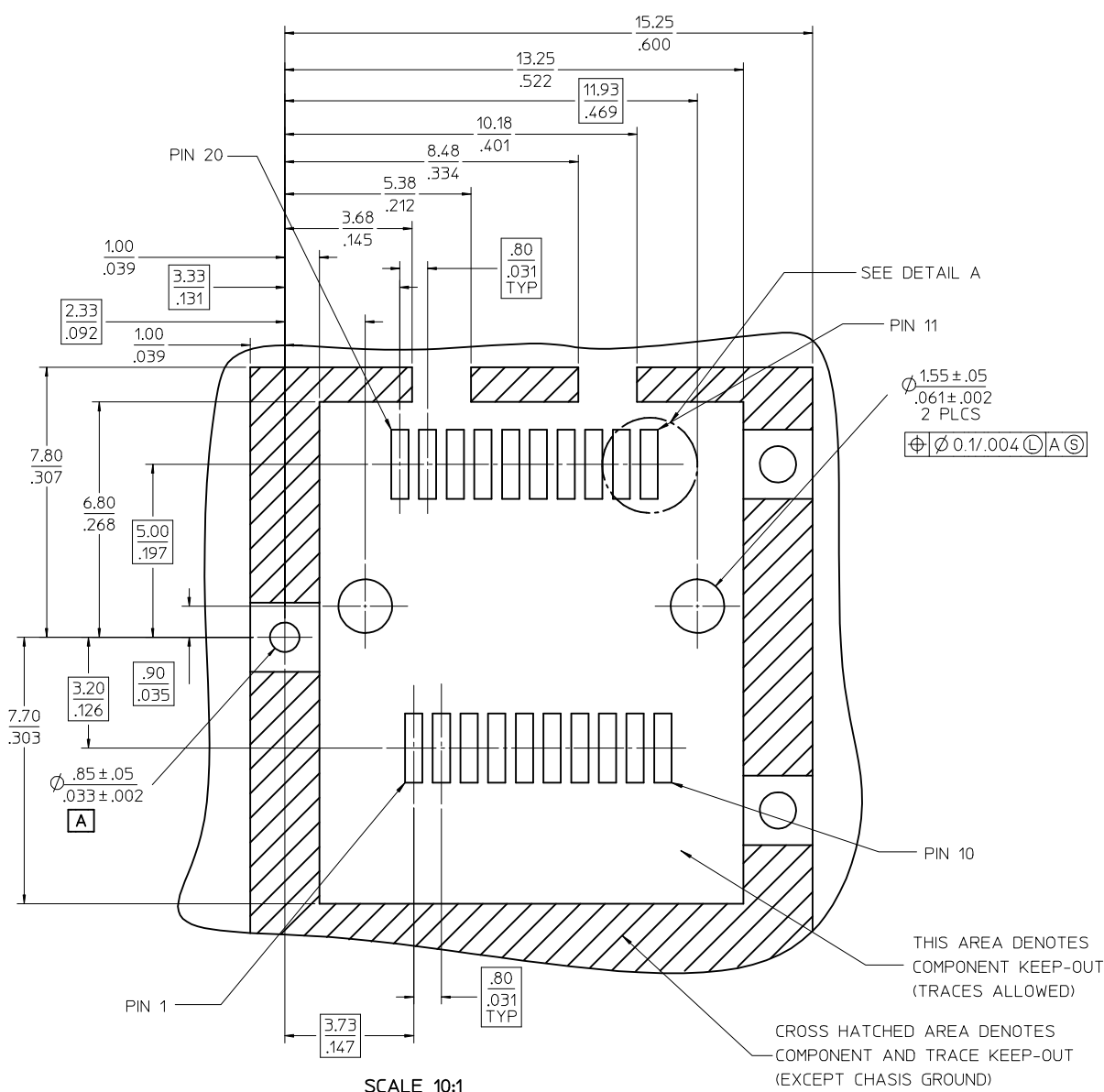
SECTION A1-A1
SCALE 12:1



SECTION B1-B1
SCALE 12:1



INITIAL RELEASE EC NO: UCP2007-0704 DRWN: MIBARRA 2007/07/26 CHKD: BBARKER 2007/07/27 APPR: MBANAKIS 2007/08/08	QUALITY SYMBOLS ▽=0 ▽=0	GENERAL TOLERANCES (UNLESS SPECIFIED)		DIMENSION STYLE MM/IN		SCALE 6:1	DESIGN UNITS METRIC	THIRD ANGLE PROJECTION			
		4 PLACES ± --- ± ---	3 PLACES ± --- ± .005	2 PLACES ± 0.13 ± .010	1 PLACE ± 0.25 ± ---	DRAWN BY BBARKER	DATE 2007/01/23	SALES ASSEMBLY SFP PLUS HOST CONNECTOR 20 CIRCUIT			
		ANGULAR ± 1/2°				CHECKED BY MSIBARRA	DATE 2007/01/23	MOLEX INCORPORATED			
		DRAFT WHERE APPLICABLE MUST REMAIN WITHIN DIMENSIONS				APPROVED BY SMILLER	DATE 2007/01/23	MATERIAL NO. SEE TABLE	DOCUMENT NO. SD-74441-008	SHEET NO. 2 OF 3	



20 CIRCUIT MOTHER BOARD RECOMMENDED PCB LAYOUT

INITIAL RELEASE EC NO: UCP2007-0704 DRWN: MIBARRA 2007/07/26 CHKD: BBARKER 2007/07/27 APPR: MBANK IS 2007/08/08 REVISION: A	QUALITY SYMBOLS ▽=0 ▽=0	GENERAL TOLERANCES (UNLESS SPECIFIED) <table border="1"> <thead> <tr> <th></th> <th>mm</th> <th>INCH</th> </tr> </thead> <tbody> <tr> <td>4 PLACES</td> <td>± .---</td> <td>± .---</td> </tr> <tr> <td>3 PLACES</td> <td>± .---</td> <td>± .005</td> </tr> <tr> <td>2 PLACES</td> <td>± 0.13</td> <td>± .010</td> </tr> <tr> <td>1 PLACE</td> <td>± 0.25</td> <td>± .---</td> </tr> </tbody> </table>		mm	INCH	4 PLACES	± .---	± .---	3 PLACES	± .---	± .005	2 PLACES	± 0.13	± .010	1 PLACE	± 0.25	± .---	DIMENSION STYLE MM/IN	SCALE 8:1	DESIGN UNITS METRIC	THIRD ANGLE PROJECTION
		mm	INCH																		
	4 PLACES	± .---	± .---																		
	3 PLACES	± .---	± .005																		
2 PLACES	± 0.13	± .010																			
1 PLACE	± 0.25	± .---																			
DRAFT WHERE APPLICABLE MUST REMAIN WITHIN DIMENSIONS	SEE TABLE	DRAWN BY BBARKER	DATE 2007/01/23	TITLE SALES ASSEMBLY SFP PLUS HOST CONNECTOR 20 CIRCUIT																	
MATERIAL NO. SEE TABLE	APPROVED BY SMILLER	DATE 2007/01/23	MOLEX INCORPORATED	DOCUMENT NO. SD-74441-008																	
SIZE C	THIS DRAWING CONTAINS INFORMATION THAT IS PROPRIETARY TO MOLEX INCORPORATED AND SHOULD NOT BE USED WITHOUT WRITTEN PERMISSION			SHEET NO. 3 OF 3																	