



Chipsmall Limited consists of a professional team with an average of over 10 year of expertise in the distribution of electronic components. Based in Hongkong, we have already established firm and mutual-benefit business relationships with customers from,Europe,America and south Asia,supplying obsolete and hard-to-find components to meet their specific needs.

With the principle of “Quality Parts,Customers Priority,Honest Operation,and Considerate Service”,our business mainly focus on the distribution of electronic components. Line cards we deal with include Microchip,ALPS,ROHM,Xilinx,Pulse,ON,Everlight and Freescale. Main products comprise IC,Modules,Potentiometer,IC Socket,Relay,Connector.Our parts cover such applications as commercial,industrial, and automotives areas.

We are looking forward to setting up business relationship with you and hope to provide you with the best service and solution. Let us make a better world for our industry!



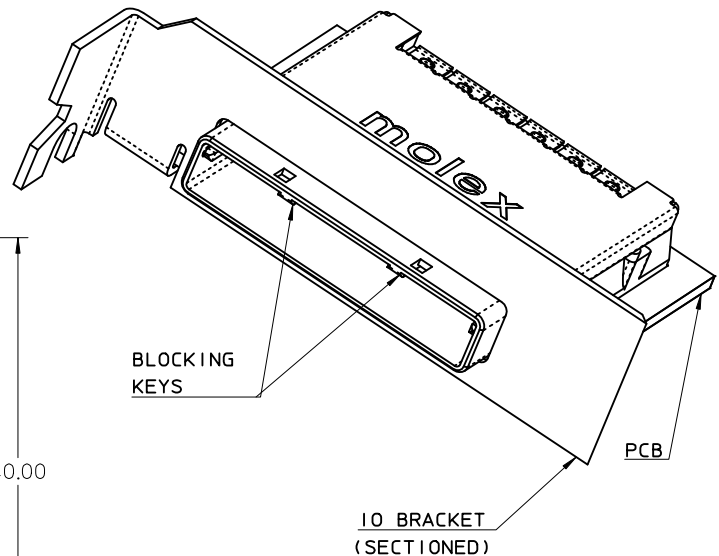
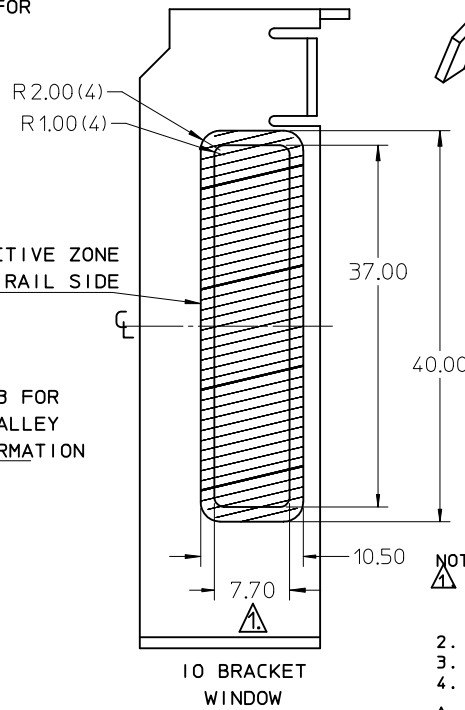
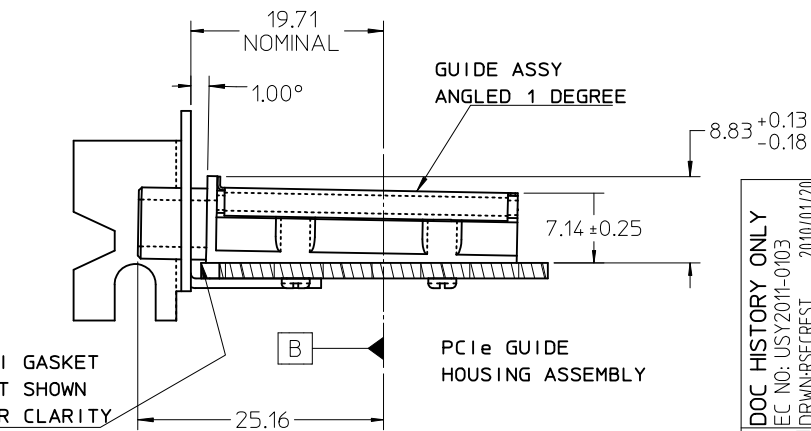
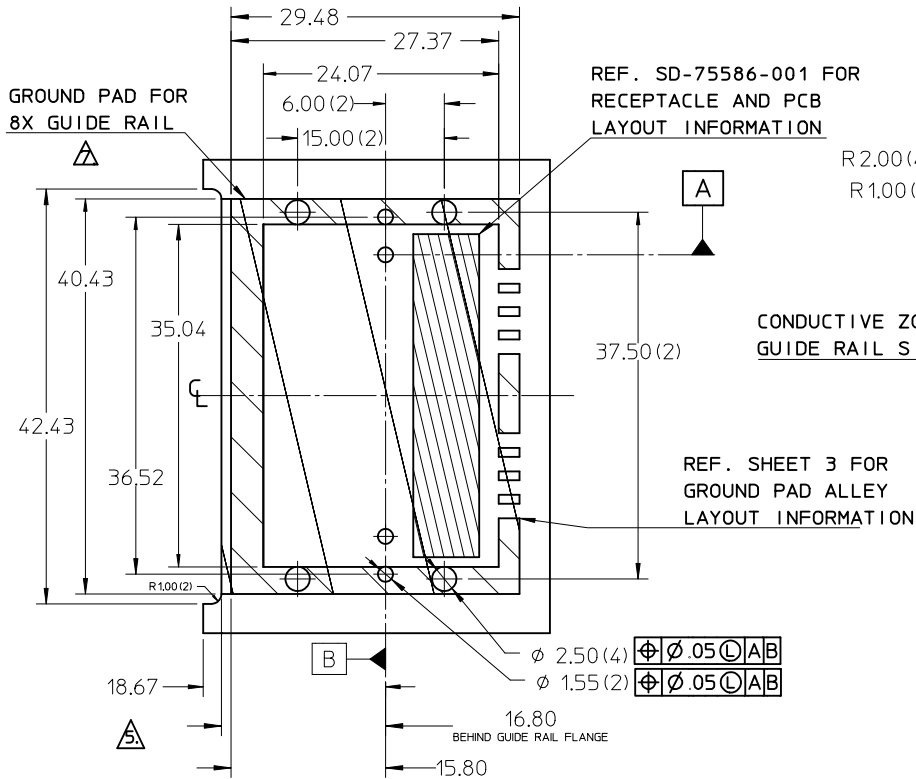
## Contact us

Tel: +86-755-8981 8866 Fax: +86-755-8427 6832

Email & Skype: info@chipsmall.com Web: www.chipsmall.com

Address: A1208, Overseas Decoration Building, #122 Zhenhua RD., Futian, Shenzhen, China



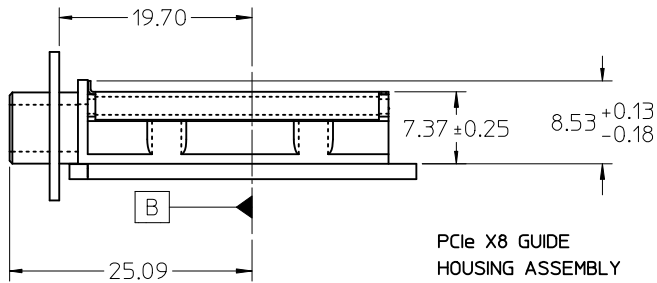


- NOTES:**
- REF. PCI EXPRESS CARD ELECTROMECHANICAL SPECIFICATION, REV 1.0a FOR IO BRACKET WINDOW LOCATION.
  - PCB AND IO BRACKET SHOWN FOR REFERENCE ONLY.
  - REFER TO SHEET 2 FOR ATCA GUIDE HOUSING ASSY.
  - GUIDE HOUSING MOUNTING THREAD= M2 X 0.4. SEE SHEET 3 FOR SCREW LENGTH + TORQUE SPEC.
  - PCB NOTCH IS SHOWN FOR PCI COMPLIANT BOARD.
  - THIS PRODUCT MEETS THE RESTRICTION OF HAZARDOUS SUBSTANCES IN ELECTRICAL AND ELECTRONIC EQUIPMENT (RoHS) DIRECTIVE (2002/95/EC).
  - PLATE GROUND PAD WITH EMERSON SILVER OR GOLD.
  - MATES WITH MOLEX 8X CABLE SERIES 74546-080X.
  - GUIDE HOUSING PEGS FOR ALIGNMENT ONLY, DO NOT SOLDER.

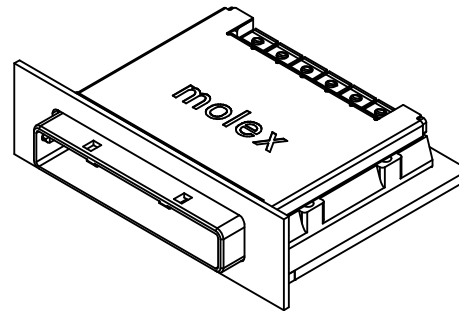
PCIe EXPANSION CARD APPLICATION SHOWN USING 1 DEGREE GUIDE HOUSING ASSEMBLY

iPass™ is a trademark of Molex

<b>DOC HISTORY ONLY</b> EC NO: USY2011-0103 TDR:WNRSECRET 2010/01/20 CHKD:SYTSMIA APPR:DDOYE 2010/08/27	QUALITY SYMBOLS ▽=0 ▽=0	GENERAL TOLERANCES (UNLESS SPECIFIED) mm INCH 4 PLACES ± --- ± --- 3 PLACES ± --- ± --- 2 PLACES ± 0.05 ± --- 1 PLACE ± 0.10 ± --- ANGULAR ± 1/2°	DIMENSION STYLE MM ONLY DRAWN BY DATE JERWIN 2006/05/25 CHECKED BY DATE BREED 2006/05/25 APPROVED BY DATE DDOYE 2006/05/25	SCALE 2:1 DESIGN UNITS METRIC THIRD ANGLE PROJECTION	TITLE I-PASS X8 EMI GUIDE HOUSING ASSEMBLY W/ KEYS
	DRAFT WHERE APPLICABLE MUST REMAIN WITHIN DIMENSIONS		MATERIAL NO. SEE TABLE	DOCUMENT NO. SD-74540-101	SHEET NO. 1 OF 3
	MOLEX INCORPORATED				
	THIS DRAWING CONTAINS INFORMATION THAT IS PROPRIETARY TO MOLEX INCORPORATED AND SHOULD NOT BE USED WITHOUT WRITTEN PERMISSION				

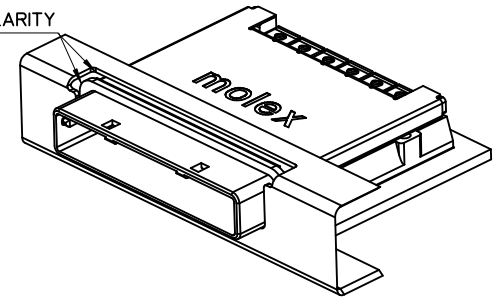


PCIe X8 GUIDE HOUSING ASSEMBLY

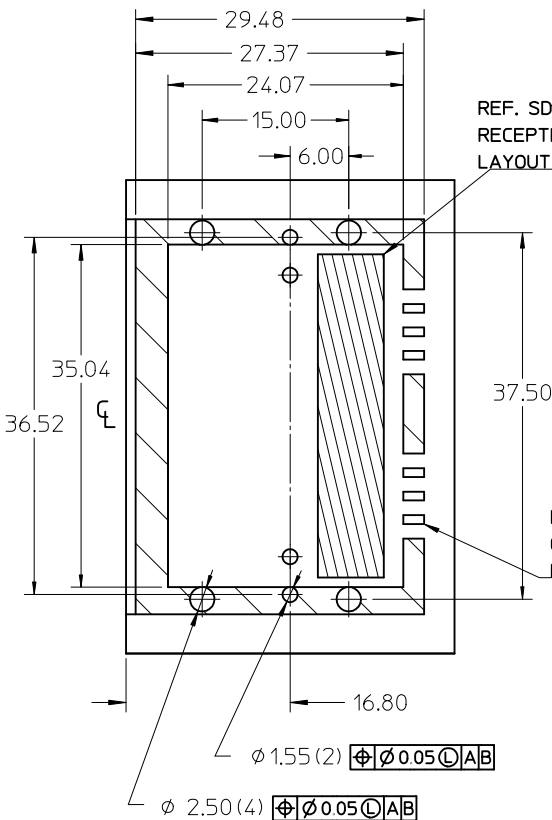


STANDARD APPLICATION SHOWN USING 0 DEG GUIDE HOUSING ASSEMBLY

GASKETS NOT SHOWN FOR CLARITY

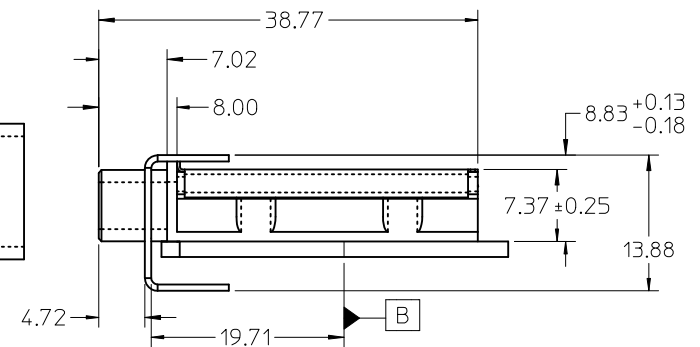
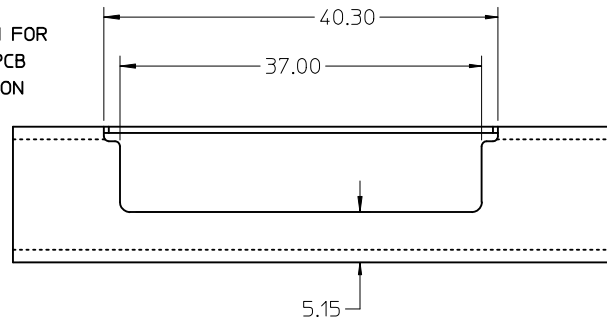


ADVANCED TCA APPLICATION USING 0 DEG GUIDE HOUSING ASSEMBLY



REF. SD-75586-001 FOR RECEPTAL AND PCB LAYOUT INFORMATION

REF. SHEET 3 FOR GROUND PAD ALLEY LAYOUT INFORMATION

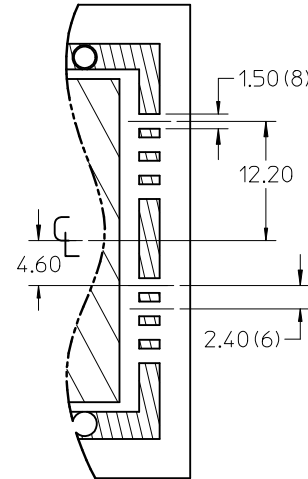


iPass™ is a trademark of Molex

<b>DOC HISTORY ONLY</b> EC NO: USY2011-0103 TDR:WNRSECRET 2010/01/20 CHKD:PSYISMA 2010/01/20 APPR:DDOYE 2010/08/27	QUALITY SYMBOLS ▽=0 ▽=0	GENERAL TOLERANCES (UNLESS SPECIFIED)		DIMENSION STYLE <b>MM ONLY</b>		SCALE 1:1	DESIGN UNITS METRIC	THIRD ANGLE PROJECTION			
		4 PLACES ± --- ± ---	mm INCH	DRAWN BY JERWIN	DATE 2006/05/25	TITLE <b>I-PASS X8 EMI GUIDE HOUSING ASSEMBLY W/ KEYS</b>					
		3 PLACES ± --- ± ---	2 PLACES ± 0.05 ± ---	CHECKED BY BREED	DATE 2006/05/25						
		1 PLACE ± 0.10 ± ---	ANGULAR ± 1/2°	APPROVED BY DDOYE	DATE 2006/05/25	MATERIAL NO. SEE TABLE		DOCUMENT NO. SD-74540-101	SHEET NO. 2 OF 3		
DRAFT WHERE APPLICABLE MUST REMAIN WITHIN DIMENSIONS		SIZE B		THIS DRAWING CONTAINS INFORMATION THAT IS PROPRIETARY TO MOLEX INCORPORATED AND SHOULD NOT BE USED WITHOUT WRITTEN PERMISSION							

MOLEX P/N	DESCRIPTION	GEN
745400101	8x EMI Guide Housing Assembly - PCIe / 1 Deg	Gen 1
745400201	8x EMI Guide Housing Assembly - ATCA / 0 Deg	Gen 1

PCB THICKNESS	SCREW LENGTH	TORQUE (IN LBS)
1.6 (.063")	5MM	2.3
2.38 (.093")	6MM	2.3
3.2 (.125")	6MM	2.3
X	+4MM MAX	2.3



PARTIAL1  
SCALE 2:1  
GROUND PAD ALLEY  
LAYOUT INFORMATION



<b>DOC HISTORY ONLY</b> EC NO: USY2011-0103 TDR: MNRSECRET 2010/01/20 CHKD: PYSYMA 2010/01/20 APPR: DDOYE 2010/08/27	QUALITY SYMBOLS	GENERAL TOLERANCES (UNLESS SPECIFIED)	DIMENSION STYLE	SCALE	DESIGN UNITS	THIRD ANGLE PROJECTION
	▽=0	mm INCH	MM ONLY	1:1	METRIC	
	▽=0	4 PLACES ± --- ± ---	DRAWN BY DATE	TITLE <b>I-PASS X8 EMI GUIDE HOUSING ASSEMBLY W/ KEYS</b>		
		3 PLACES ± --- ± ---	JERWIN 2006/05/25			
	2 PLACES ± 0.05 ± ---	CHECKED BY DATE	MOLEX INCORPORATED			
	1 PLACE ± 0.10 ± ---	BREED 2006/05/25				
	ANGULAR ± 1/2°	APPROVED BY DATE	DOCUMENT NO. <b>SD-74540-101</b>			
		DDOYE 2006/05/25				
	DRAFT WHERE APPLICABLE MUST REMAIN WITHIN DIMENSIONS	MATERIAL NO.	SHEET NO. <b>3 OF 3</b>			
		SEE TABLE				
		SIZE B	THIS DRAWING CONTAINS INFORMATION THAT IS PROPRIETARY TO MOLEX INCORPORATED AND SHOULD NOT BE USED WITHOUT WRITTEN PERMISSION			