



Chipsmall Limited consists of a professional team with an average of over 10 year of expertise in the distribution of electronic components. Based in Hongkong, we have already established firm and mutual-benefit business relationships with customers from,Europe,America and south Asia,supplying obsolete and hard-to-find components to meet their specific needs.

With the principle of “Quality Parts,Customers Priority,Honest Operation,and Considerate Service”,our business mainly focus on the distribution of electronic components. Line cards we deal with include Microchip,ALPS,ROHM,Xilinx,Pulse,ON,Everlight and Freescale. Main products comprise IC,Modules,Potentiometer,IC Socket,Relay,Connector.Our parts cover such applications as commercial,industrial, and automotives areas.

We are looking forward to setting up business relationship with you and hope to provide you with the best service and solution. Let us make a better world for our industry!



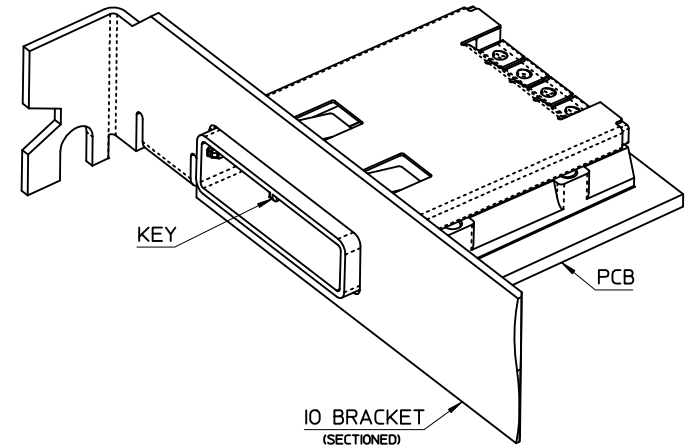
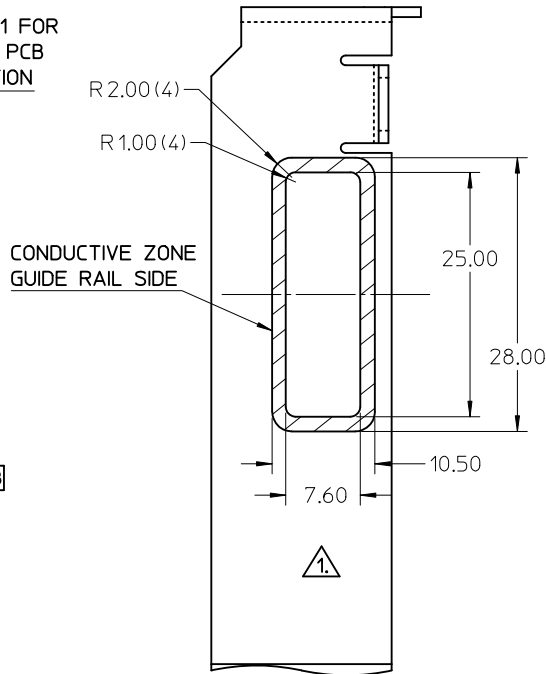
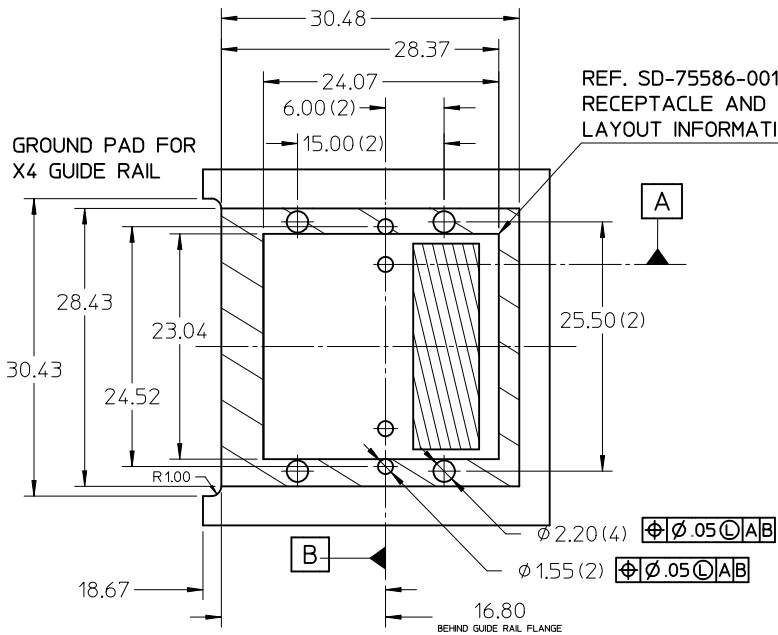
Contact us

Tel: +86-755-8981 8866 Fax: +86-755-8427 6832

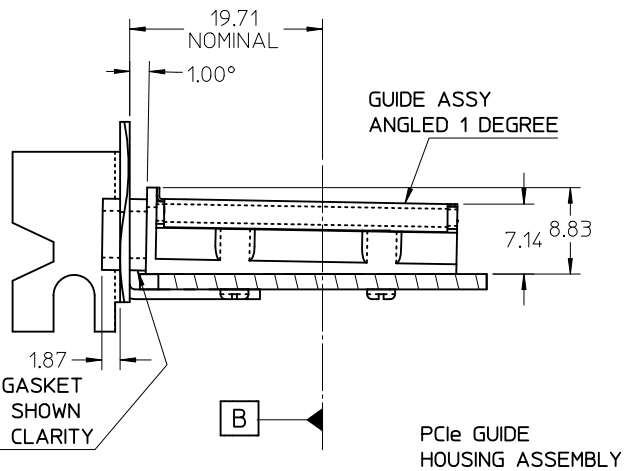
Email & Skype: info@chipsmall.com Web: www.chipsmall.com

Address: A1208, Overseas Decoration Building, #122 Zhenhua RD., Futian, Shenzhen, China





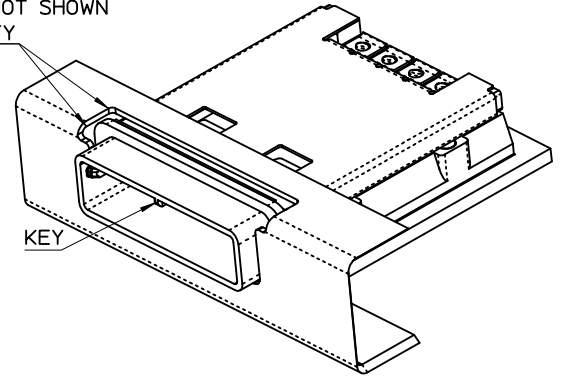
- NOTES:
- REF. PCI EXPRESS CARD ELECTROMECHANICAL SPECIFICATION, REV 1.0a FOR IO BRACKET WINDOW LOCATION.
 - PCB AND IO BRACKET SHOWN FOR REFERENCE ONLY.
 - REFER TO SHEET 2 FOR ATCA GUIDE HOUSING ASSEMBLY.
 - GUIDE HOUSING MOUNTING THREAD= M2.5 X 0.45.



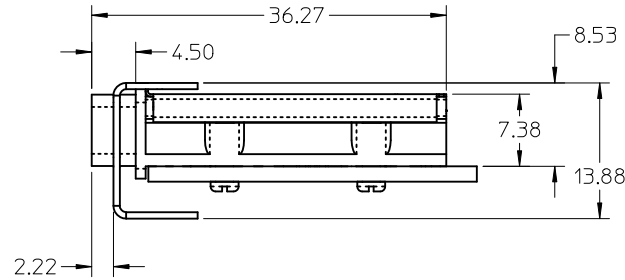
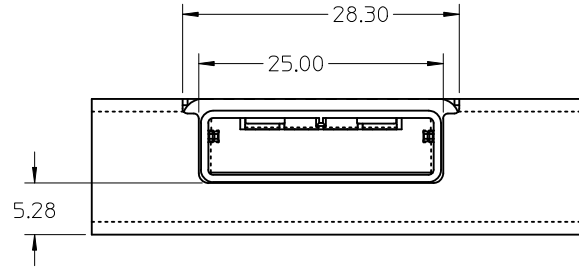
iPass™ is a trademark of Molex.

DOC HISTORY ONLY EC NO: USY2011-0103 DRW: BREED 2005/02/03 CHKD: DDOYE 2005/02/03 APPR: DDOYE 2010/08/27 REV A	QUALITY SYMBOLS $\nabla=0$ $\nabla 7=0$	GENERAL TOLERANCES (UNLESS SPECIFIED)		DIMENSION STYLE MM ONLY		SCALE 2:1	DESIGN UNITS METRIC	THIRD ANGLE PROJECTION			
		4 PLACES \pm --- \pm ---	mm INCH	DRAWN BY BAREED	DATE 2005/02/03	TITLE IPASS X4 EMI GUIDE HOUSING ASSEMBLY GEN 1					
		3 PLACES \pm --- \pm ---		CHECKED BY DDOYE	DATE 2005/02/03	MOLEX INCORPORATED					
		2 PLACES ± 0.05 \pm ---		APPROVED BY DDOYE	DATE 2005/02/03	MATERIAL NO. SEE TABLE	DOCUMENT NO. SD-74540-400	SHEET NO. 1 OF 2			
DRAFT WHERE APPLICABLE MUST REMAIN WITHIN DIMENSIONS		ANGULAR $\pm 1/2^\circ$		THIS DRAWING CONTAINS INFORMATION THAT IS PROPRIETARY TO MOLEX INCORPORATED AND SHOULD NOT BE USED WITHOUT WRITTEN PERMISSION							

GASKETS NOT SHOWN FOR CLARITY



KEY



ADVANCED TCA
LOW PROFILE GUIDE
HOUSING ASSEMBLY

iPass™ is a trademark of Molex.

PART NUMBER	DESCRIPTION
74540-0400	X4 EMI GUIDE HOUSING ASSEMBLY - PCIe
74540-0500	X4 EMI GUIDE HOUSING ASSEMBLY - ATCA

DOC HISTORY ONLY EC NO: USY2011-0103 DRAWN BY: DRWIN/BREED CHKD: DDOYE APPR: DDOYE 2005/02/03 2005/02/03 2010/08/27	QUALITY SYMBOLS ▽=0 ▽=0	GENERAL TOLERANCES (UNLESS SPECIFIED)		DIMENSION STYLE MM ONLY		SCALE 2:1	DESIGN UNITS METRIC	THIRD ANGLE PROJECTION		
		4 PLACES ± --- ± ---	DRAWN BY BAREED	DATE 2005/02/03	TITLE IPASS X4 EMI GUIDE HOUSING ASSEMBLY GEN 1					
		3 PLACES ± --- ± ---	CHECKED BY DDOYE	DATE 2005/02/03						
		2 PLACES ± 0.05 ± ---	APPROVED BY DDOYE		MATERIAL NO. SEE TABLE		DOCUMENT NO. SD-74540-400		SHEET NO. 2 OF 2	
		1 PLACE ± 0.10 ± ---	DATE 2005/02/03							
ANGULAR ± 1/2°		DRAFT WHERE APPLICABLE MUST REMAIN WITHIN DIMENSIONS								