



Chipsmall Limited consists of a professional team with an average of over 10 year of expertise in the distribution of electronic components. Based in Hongkong, we have already established firm and mutual-benefit business relationships with customers from,Europe,America and south Asia,supplying obsolete and hard-to-find components to meet their specific needs.

With the principle of “Quality Parts,Customers Priority,Honest Operation,and Considerate Service”,our business mainly focus on the distribution of electronic components. Line cards we deal with include Microchip,ALPS,ROHM,Xilinx,Pulse,ON,Everlight and Freescale. Main products comprise IC,Modules,Potentiometer,IC Socket,Relay,Connector.Our parts cover such applications as commercial,industrial, and automotives areas.

We are looking forward to setting up business relationship with you and hope to provide you with the best service and solution. Let us make a better world for our industry!



Contact us

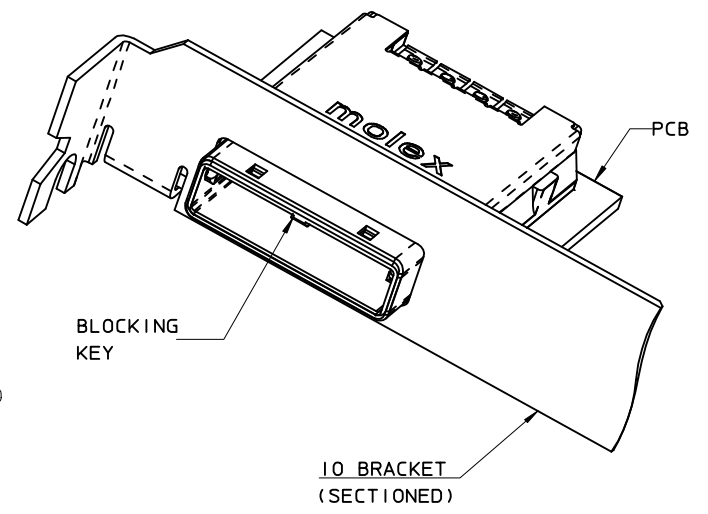
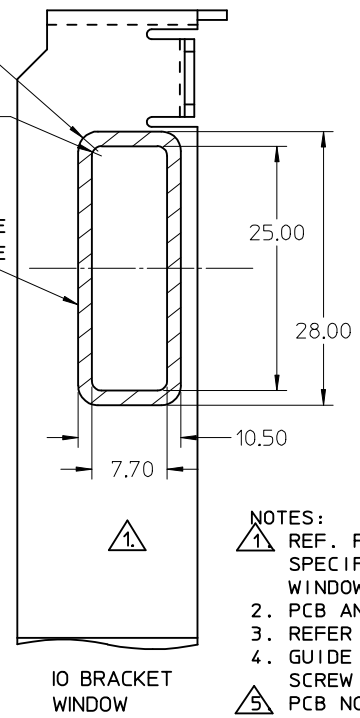
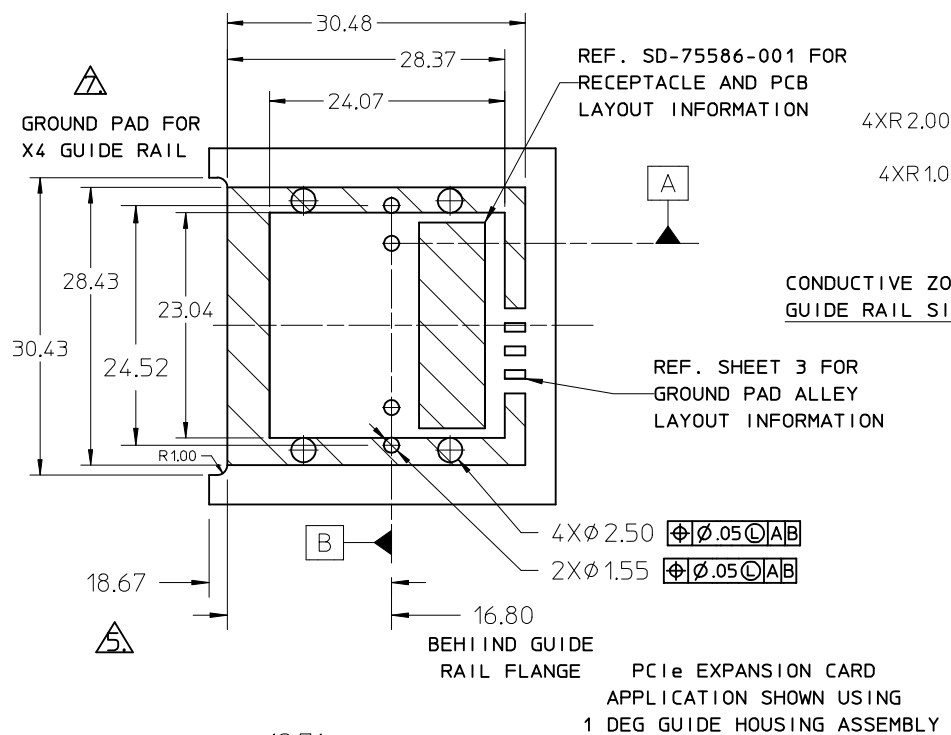
Tel: +86-755-8981 8866 Fax: +86-755-8427 6832

Email & Skype: info@chipsmall.com Web: www.chipsmall.com

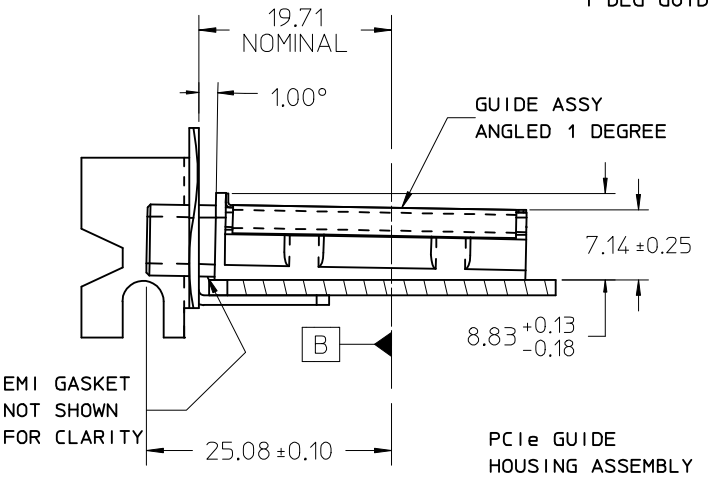
Address: A1208, Overseas Decoration Building, #122 Zhenhua RD., Futian, Shenzhen, China



MM 3D MODEL:TM-74540-0401



- NOTES:**
- REF. PCI EXPRESS CARD ELECTROMECHANICAL SPECIFICATION, REV 1.0a FOR IO BRACKET WINDOW LOCATION.
 - PCB AND IO BRACKET SHOWN FOR REFERENCE ONLY.
 - REFER TO SHEET 2 FOR ATCA GUIDE HOUSING ASSEMBLY.
 - GUIDE HOUSING MOUNTING THREAD= M2 X 0.4, SEE SHEET 3 FOR SCREW LENGTH + TORQUE.
 - PCB NOTCH IS SHOWN FOR PCI COMPLIANT BOARD.
 - NO RoHS EXEMPTIONS
 - PLATE GROUND PAD WITH EMERSON SILVER OR GOLD.
 - MATES WITH MOLEX 4X CABLE SERIES 74546-040X.
 - GUIDE HOUSING PEGS FOR ALIGNMENT ONLY, DO NOT SOLDER.

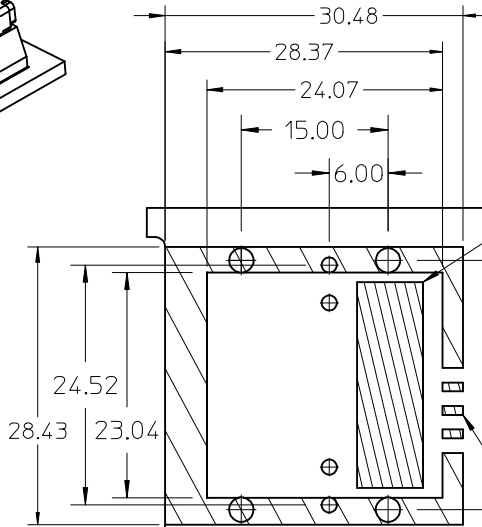
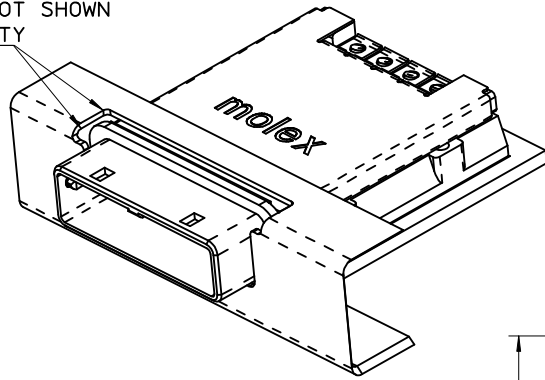


iPass™ is a trademark of Molex.

SEE REVISION TABLE EC NO: CPG2015-4551 DRWN: LLU20 2015/03/02 CHKD: APPR: RCHEN08 2015/03/13	QUALITY SYMBOLS ▽=0 ▽=0 ▽=0	GENERAL TOLERANCES (UNLESS SPECIFIED)	DIMENSION STYLE	SCALE	DESIGN UNITS	THIRD ANGLE PROJECTION TITLE IPASS X4 EMI GUIDE HOUSING ASSEMBLY W/ KEY molex DOCUMENT NO. SD-74540-401 SHEET NO. 1 OF 4
			MM ONLY	2:1	METRIC	
		4 PLACES ± --- ± --- 3 PLACES ± --- ± --- 2 PLACES ± 0.05 ± --- 1 PLACE ± 0.10 ± --- 0 PLACE ± ±	DRAWN BY DATE SNAVARRO 2006/05/26 CHECKED BY DATE BREED 2006/05/26 APPROVED BY DATE DDOYE 2006/05/25			
		ANGULAR ±1/2° DRAFT WHERE APPLICABLE MUST REMAIN WITHIN DIMENSIONS	MATERIAL NO. SEE P/N TABLE			

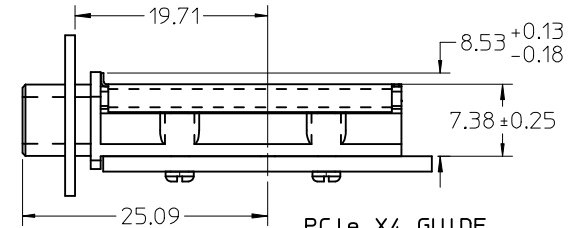
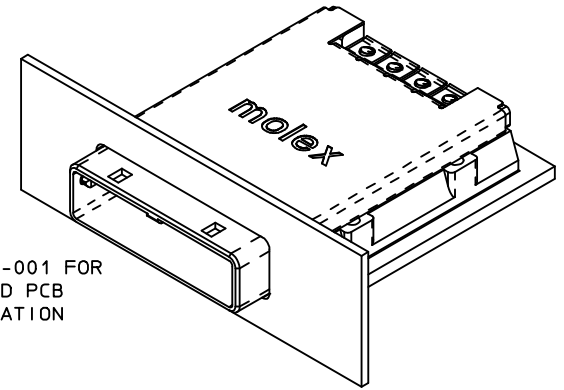
10 9 8 7 6 5 4 3 2 1

GASKETS NOT SHOWN FOR CLARITY

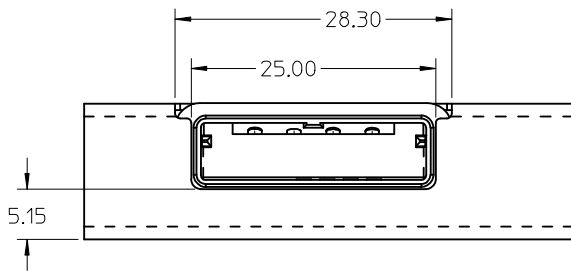
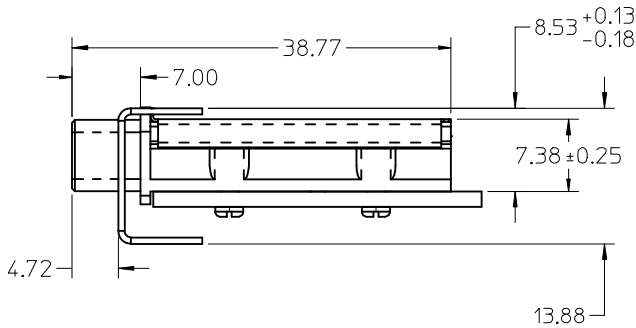


REF. SD-75586-001 FOR RECEPTACLE AND PCB LAYOUT INFORMATION

REF. SHEET 3 FOR GROUND PAD ALLEY LAYOUT INFORMATION



PCIe X4 GUIDE HOUSING ASSEMBLY



ADVANCED TCA APPLICATION SHOWN USING 0 DEGREE GUIDE HOUSING ASSEMBLY

STANDARD APPLICATION SHOWN USING 0 DEGREE GUIDE HOUSING ASSEMBLY

iPass™ is a trademark of Molex.

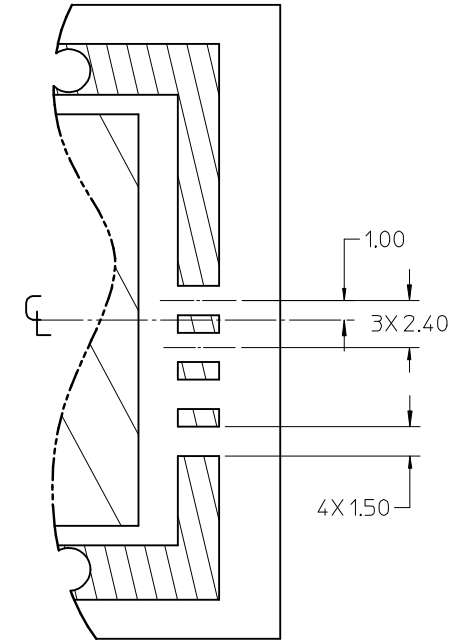
SEE REVISION TABLE EC NO: CPG2015-4551 DRAWN: L1U20 2015/03/02 CHKD: APPR: RCHEN08 2015/03/13 REV	QUALITY SYMBOLS $\nabla=0$ $\nabla=0$ $\nabla=0$	GENERAL TOLERANCES (UNLESS SPECIFIED) <table border="1"> <thead> <tr> <th></th> <th>mm</th> <th>INCH</th> </tr> </thead> <tbody> <tr> <td>4 PLACES</td> <td>± ---</td> <td>± ---</td> </tr> <tr> <td>3 PLACES</td> <td>± ---</td> <td>± ---</td> </tr> <tr> <td>2 PLACES</td> <td>± 0.05</td> <td>± ---</td> </tr> <tr> <td>1 PLACE</td> <td>± 0.10</td> <td>± ---</td> </tr> <tr> <td>0 PLACE</td> <td>±</td> <td>±</td> </tr> </tbody> </table>		mm	INCH	4 PLACES	± ---	± ---	3 PLACES	± ---	± ---	2 PLACES	± 0.05	± ---	1 PLACE	± 0.10	± ---	0 PLACE	±	±	DIMENSION STYLE MM ONLY	SCALE 2:1	DESIGN UNITS METRIC	THIRD ANGLE PROJECTION
		mm	INCH																					
	4 PLACES	± ---	± ---																					
	3 PLACES	± ---	± ---																					
2 PLACES	± 0.05	± ---																						
1 PLACE	± 0.10	± ---																						
0 PLACE	±	±																						
DRAWN BY SNAVARRO	DATE 2006/05/26	CHECKED BY BREED	DATE 2006/05/26	TITLE IPASS X4 EMI GUIDE HOUSING ASSEMBLY W/ KEY																				
APPROVED BY DDOYE	DATE 2006/05/25	MATERIAL NO. SEE P/N TABLE			DOCUMENT NO. SD-74540-401	SHEET NO. 2 OF 4																		
DRAFT WHERE APPLICABLE MUST REMAIN WITHIN DIMENSIONS			SIZE B	THIS DRAWING CONTAINS INFORMATION THAT IS PROPRIETARY TO MOLEX INCORPORATED AND SHOULD NOT BE USED WITHOUT WRITTEN PERMISSION																				

9 8 7 6 5 4 3 2 1

10 9 8 7 6 5 4 3 2 1

P/N	DECRPTION	GEN	ELASTOMERIC GASKET FLAMMABILITY RATING
745400401	4X EMI GUIDE HOUSING ASSEMBLY - PCIE / 1 DEG	GEN1	
745400406	4X EMI GUIDE HOUSING ASSEMBLY - PCIE / 1 DEG	GEN1	EQUATE TO UL94 V-0
745400501	4X EMI GUIDE HOUSING ASSEMBLY - ATCA / 0 DEG	GEN1	
745400407	4X EMI GUIDE HOUSING ASSEMBLY - PCIE / 1 DEG WITH 5MM SCREWS	GEN1	

PCB THICKNESS	SCREW LENGTH	TORQUE(IN LBS)
1.6	5MM	2.3
2.38	6MM	2.3
3.2	6MM	2.3
X	+4MM MAX	2.3



PARTIAL1
SCALE 4:1
GROUND PAD ALLEY
LAYOUT INFORMATION



SEE REVISION TABLE EC NO: CPG2015-4551 DRW:MLL020 2015/03/02 CHKD: I APPR:RCHEN08 2015/03/13	QUALITY SYMBOLS F/0 F/0 F/0	GENERAL TOLERANCES (UNLESS SPECIFIED)		DIMENSION STYLE MM ONLY		SCALE 1:1	DESIGN UNITS METRIC	THIRD ANGLE PROJECTION		
			mm	INCH	DRAWN BY SNAVARRO	DATE 2006/05/26	TITLE IPASS X4 EMI GUIDE HOUSING ASSEMBLY W/ KEY			
		4 PLACES	± ---	± ---	CHECKED BY BREED	DATE 2006/05/26				
			± 0.05	± ---	APPROVED BY DDOYE	DATE 2006/05/25	DOCUMENT NO. SD-74540-401			
3 PLACES	± ---	± ---	MATERIAL NO.		SHEET NO. 3 OF 4					
2 PLACES	± 0.10	± ---	SEE P/N TABLE						THIS DRAWING CONTAINS INFORMATION THAT IS PROPRIETARY TO MOLEX INCORPORATED AND SHOULD NOT BE USED WITHOUT WRITTEN PERMISSION	
1 PLACE	±	±	SIZE B							
0 PLACE	±	±	ANGULAR ±1/2° DRAFT WHERE APPLICABLE MUST REMAIN WITHIN DIMENSIONS							

9 8 7 6 5 4 3 2 1

REVISION TABLE

DATE	REV	DESCRIPTION
2014/05/09	G	1. ADDED "MM 3D MODEL: TM-74540-0401" ON LEFT TOP CORNER [SHT 1] 2. REVISED NOTE 6. FROM "THIS PRODUCT MEETS THE RESTRICTION OF HAZARDOUS SUBSTANCES IN ELECTRICAL AND ELECTRONIC EQUIPMENT (RoHS) DIRECTIVE(2002/95/EC)" TO "NO RoHS EXEMPTIONS" [SHT 1] 3. ADDED P/N 745400406 [SHT 3]
2015/03/02	H	1. ADDED P/N 745400407. [SHT 3]

SEE REVISION TABLE EC NO: CPG2015-4551 2015/03/02 DRWN:LUZ0 CHKD: APPR:RCHEN08 2015/03/13 DESCRIPTION REV	QUALITY SYMBOLS	GENERAL TOLERANCES (UNLESS SPECIFIED)	DIMENSION STYLE	SCALE	DESIGN UNITS	THIRD ANGLE PROJECTION
	$\nabla=0$ $\nabla=0$ $\nabla=0$	mm INCH 4 PLACES \pm --- \pm --- 3 PLACES \pm --- \pm --- 2 PLACES \pm 0.05 \pm --- 1 PLACE \pm 0.10 \pm --- 0 PLACE \pm \pm	MM ONLY		METRIC	
		ANGULAR $\pm 1/2^\circ$ DRAFT WHERE APPLICABLE MUST REMAIN WITHIN DIMENSIONS	DRAWN BY DATE SNAVARRO 2006/05/26	TITLE		IPASS X4 EMI GUIDE HOUSING ASSEMBLY W/ KEY molex
			CHECKED BY DATE BREED 2006/05/26			
				APPROVED BY DATE DDOYE 2006/05/25		
			MATERIAL NO.	DOCUMENT NO.		SHEET NO.
			SEE P/N TABLE	SD-74540-401		4 OF 4
			SIZE B	THIS DRAWING CONTAINS INFORMATION THAT IS PROPRIETARY TO MOLEX INCORPORATED AND SHOULD NOT BE USED WITHOUT WRITTEN PERMISSION		