



Chipsmall Limited consists of a professional team with an average of over 10 year of expertise in the distribution of electronic components. Based in Hongkong, we have already established firm and mutual-benefit business relationships with customers from,Europe,America and south Asia,supplying obsolete and hard-to-find components to meet their specific needs.

With the principle of "Quality Parts,Customers Priority,Honest Operation,and Considerate Service",our business mainly focus on the distribution of electronic components. Line cards we deal with include Microchip,ALPS,ROHM,Xilinx,Pulse,ON,Everlight and Freescale. Main products comprise IC,Modules,Potentiometer,IC Socket,Relay,Connector.Our parts cover such applications as commercial,industrial, and automotives areas.

We are looking forward to setting up business relationship with you and hope to provide you with the best service and solution. Let us make a better world for our industry!



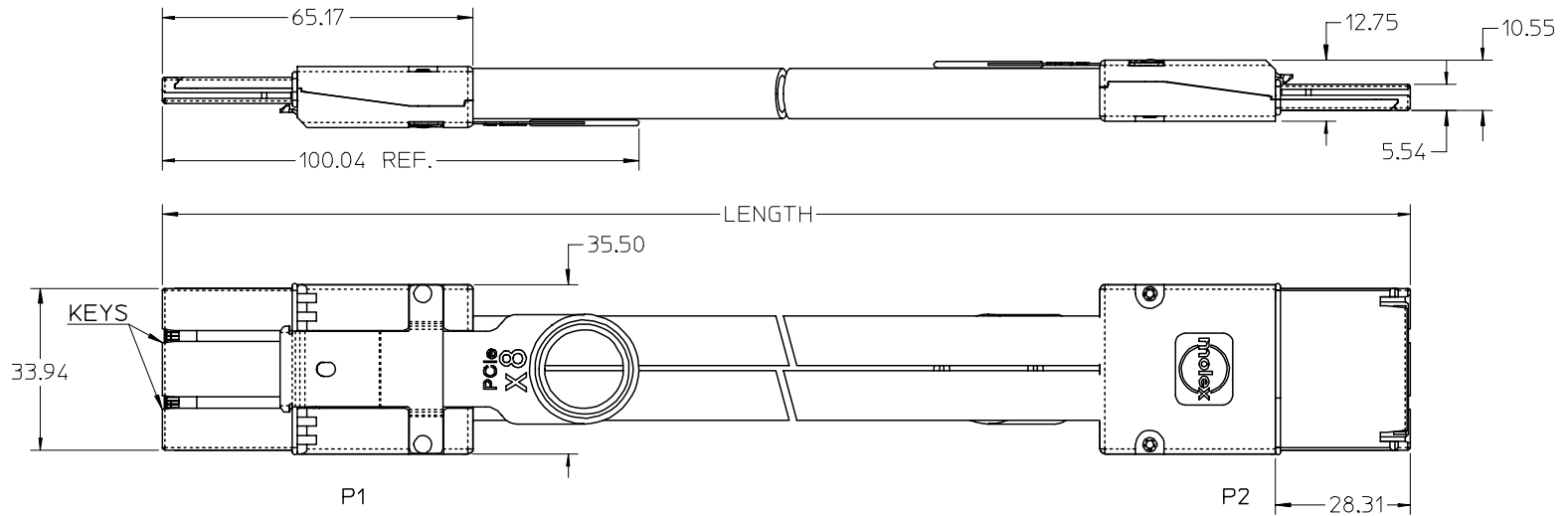
Contact us

Tel: +86-755-8981 8866 Fax: +86-755-8427 6832

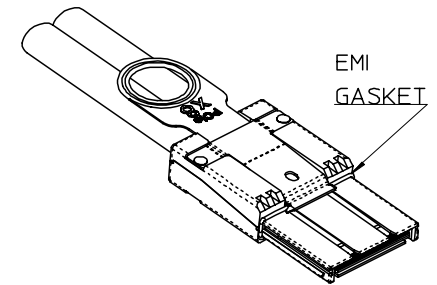
Email & Skype: info@chipsmall.com Web: www.chipsmall.com

Address: A1208, Overseas Decoration Building, #122 Zhenhua RD., Futian, Shenzhen, China





P/N	LENGTH	GAGE	TOLERANCE	JACKET RATING
74546-0801	1M	28	0.05M	VW1
74546-0802	2M	28	0.05M	VW1
74546-0803	3M	28	0.05M	VW1
74546-0804	4M	28	0.10M	VW1
74546-0805	5M	26	0.10M	CL2
74546-0806	6M	26	0.13M	CL2
74546-0807	7M	24	0.13M	CL2
74546-0808	8M Δ	24	0.13M	CL2
74546-0809	9M Δ	24	0.15M	CL2
74546-0810	10M Δ	24	0.15M	CL2
74546-0813	0.5M	28	0.03M	VW1

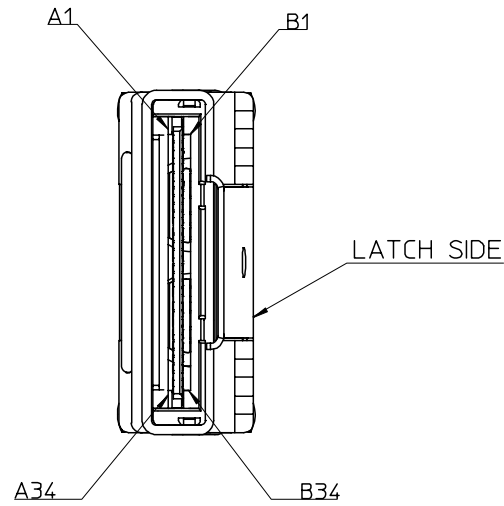


- NOTES:
- MATERIAL=
BACKSHELLS - ZINC DIECAST
PULL - NYLON
CABLE JACKET RATING - SEE TABLE.
 - LENGTH AND TOLERANCE - SEE TABLE
 - ELECTRICAL PERFORMANCE PER PCI EXPRESS EXTERNAL CABLING SPEC.
 - PLUG MATES TO RECEPTACLE 75586-0002, AND EMI GUIDE HOUSING ASSY. 74540-0100
 - ASSEMBLY IS TO BE RoHS COMPLIANT BY FEBRUARY 1, 2006.
- Δ . NOT COMPLIANT WITH INSERTION LOSS SPEC PER THR PCIe CABLING SPEC.

I-PASS™ IS A TRADEMARK OF MOLEX

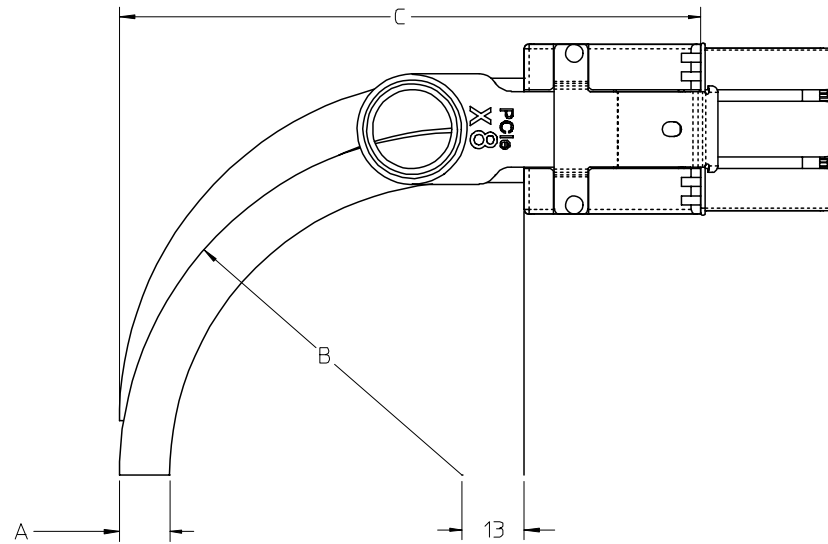
ENTER DESCRIPTION EC NO: USY2006-0481 DRWN: SNAVARRO 2006/06/29 CHKD: BREED 2006/06/29 APPR: DDOYE 2006/07/06	QUALITY SYMBOLS $\nabla=0$ $\nabla=0$	GENERAL TOLERANCES (UNLESS SPECIFIED)		DIMENSION STYLE MM ONLY	SCALE 1:1	DESIGN UNITS METRIC	THIRD ANGLE PROJECTION		
				mm	INCH	DRAWN BY BREED	DATE 2004/11/09	TITLE I-PASS X8 CABLE ASSEMBLY GEN 1	
		4 PLACES \pm ---		\pm ---	\pm ---	CHECKED BY DDOYE	DATE 2004/11/09	MOLEX INCORPORATED	
		3 PLACES \pm ---		\pm ---	\pm ---	APPROVED BY DDOYE	DATE 2004/11/09	MATERIAL NO. SEE TABLE	DOCUMENT NO. SD-74546-800
2 PLACES \pm 0.13		\pm ---	\pm ---	DRAFT WHERE APPLICABLE MUST REMAIN WITHIN DIMENSIONS		SIZE B	SHEET NO. 1 OF 3		
1 PLACE \pm 0.25		\pm ---	\pm ---	THIS DRAWING CONTAINS INFORMATION THAT IS PROPRIETARY TO MOLEX INCORPORATED AND SHOULD NOT BE USED WITHOUT WRITTEN PERMISSION					
ANGULAR \pm 1/2°									

GND	A1	B1	GND
PETp0	A2	B2	PERp0
PETn0	A3	B3	PERn0
GND	A4	B4	GND
PETp1	A5	B5	PERp1
PETn1	A6	B6	PERn1
GND	A7	B7	GND
PETp2	A8	B8	PERp2
PETn2	A9	B9	PERn2
GND	A10	B10	GND
PETp3	A11	B11	PERp3
PETn3	A12	B12	PERn3
GND	A13	B13	GND
CREFLK+	A14	A14	CREFLK+
CREFLK-	A15	A15	CREFLK-
GND	A16	A16	GND
NC	A17	A17	NC
NC	A18	A18	NC
SB_RTN	A19	A19	SB_RTN
CPRSNT#	A20	A20	CPRSNT#
CPWRON	A21	A21	CPWRON
GND	A22	B22	GND
PETp4	A23	B23	PERp4
PETn4	A24	B24	PERn4
GND	A25	B25	GND
PETp5	A26	B26	PERp5
PETn5	A27	B27	PERn5
GND	A28	B28	GND
PETp6	A29	B29	PERp6
PETn6	A30	B30	PERn6
GND	A31	B31	GND
PETp7	A32	B32	PERp7
PETn7	A33	B33	PERn7
GND	A34	B34	GND
GND	B1	A1	GND
PERp0	B2	A2	PETp0
PERn0	B3	A3	PETn0
GND	B4	A4	GND
PERp1	B5	A5	PETp1
PERn1	B6	A6	PETn1
GND	B7	A7	GND
PERp2	B8	A8	PETp2
PERn2	B9	A9	PETn2
GND	B10	A10	GND
PERp3	B11	A11	PETp3
PERn3	B12	A12	PETn3
GND	B13	A13	GND
NC	B14	B14	NC
NC	B15	B15	NC
NC	B16	B16	NC
NC	B17	B17	NC
NC	B18	B18	NC
NC	B19	B19	NC
CWAKE#	B20	B20	CWAKE#
CPERST#	B21	B21	CPERST#
GND	B22	A22	GND
PERp4	B23	A23	PETp4
PERn4	B24	A24	PETn4
GND	B25	A25	GND
PERp5	B26	A26	PETp5
PERn5	B27	A27	PETn5
GND	B28	A28	GND
PERp6	B29	A29	PETp6
PERn6	B30	A30	PETn6
GND	B31	A31	GND
PERp7	B32	A32	PETp7
PERn7	B33	A33	PETn7
GND	B34	A34	GND



IPASS™ IS A TRADEMARK OF MOLEX

ENTER DESCRIPTION EC NO: USY2006-0481 DRWN: SNAVARRO 2006/06/29 CHKD: BREED 2006/06/29 APPR: DDOYE 2006/07/06	QUALITY SYMBOLS ▽=0 ▽=0	GENERAL TOLERANCES (UNLESS SPECIFIED)		DIMENSION STYLE MM ONLY	SCALE 1:1	DESIGN UNITS METRIC	THIRD ANGLE PROJECTION
		4 PLACES ± --- ± ---	DRAWN BY BREED DATE 2004/11/09	TITLE I-PASS X8 CABLE ASSEMBLY GEN 1			
		3 PLACES ± --- ± ---	CHECKED BY DDOYE DATE 2004/11/09				
		2 PLACES ± 0.13 ± --- 1 PLACE ± 0.25 ± --- ANGULAR ±1/2°	APPROVED BY DDOYE DATE 2004/11/09	MATERIAL NO. SEE TABLE DOCUMENT NO. SD-74546-800			
DRAFT WHERE APPLICABLE MUST REMAIN WITHIN DIMENSIONS		SIZE B	THIS DRAWING CONTAINS INFORMATION THAT IS PROPRIETARY TO MOLEX INCORPORATED AND SHOULD NOT BE USED WITHOUT WRITTEN PERMISSION				



CABLE GAGE	24	26	28
A. CABLE DIAMETER	10.4	9.3	8.4
B. MINIMUM OUTER RADIUS	46.9	41.7	37.7
C. FACEPLATE TO OUTER RADIUS	102.2	97.0	93.0

I-PASS™ IS A TRADEMARK OF MOLEX

ENTER DESCRIPTION EC NO: USY2006-0481 DRWN: SNAVARRO 2006/06/29 CHKD: BREED 2006/06/29 APPR: DDOYE 2006/07/06	DESCRIPTION QUALITY SYMBOLS ▽=0 ▽=0	GENERAL TOLERANCES (UNLESS SPECIFIED)		DIMENSION STYLE MM ONLY	SCALE 1:1	DESIGN UNITS METRIC	THIRD ANGLE PROJECTION
		4 PLACES ± --- ± ---	DRAWN BY BREED	DATE 2004/11/09	TITLE I-PASS X8 CABLE ASSEMBLY GEN 1		
		3 PLACES ± --- ± ---	CHECKED BY DDOYE	DATE 2004/11/09			
		2 PLACES ± 0.13 ± ---	APPROVED BY DDOYE	DATE 2004/11/09	MOLEX INCORPORATED		
1 PLACE ± 0.25 ± ---	ANGULAR ± 1/2°						
DRAFT WHERE APPLICABLE MUST REMAIN WITHIN DIMENSIONS		MATERIAL NO. SEE TABLE	DOCUMENT NO. SD-74546-800	SHEET NO. 3 OF 3			
		SIZE B	THIS DRAWING CONTAINS INFORMATION THAT IS PROPRIETARY TO MOLEX INCORPORATED AND SHOULD NOT BE USED WITHOUT WRITTEN PERMISSION				