



Chipsmall Limited consists of a professional team with an average of over 10 year of expertise in the distribution of electronic components. Based in Hongkong, we have already established firm and mutual-benefit business relationships with customers from,Europe,America and south Asia,supplying obsolete and hard-to-find components to meet their specific needs.

With the principle of “Quality Parts,Customers Priority,Honest Operation,and Considerate Service”,our business mainly focus on the distribution of electronic components. Line cards we deal with include Microchip,ALPS,ROHM,Xilinx,Pulse,ON,Everlight and Freescale. Main products comprise IC,Modules,Potentiometer,IC Socket,Relay,Connector.Our parts cover such applications as commercial,industrial, and automotives areas.

We are looking forward to setting up business relationship with you and hope to provide you with the best service and solution. Let us make a better world for our industry!



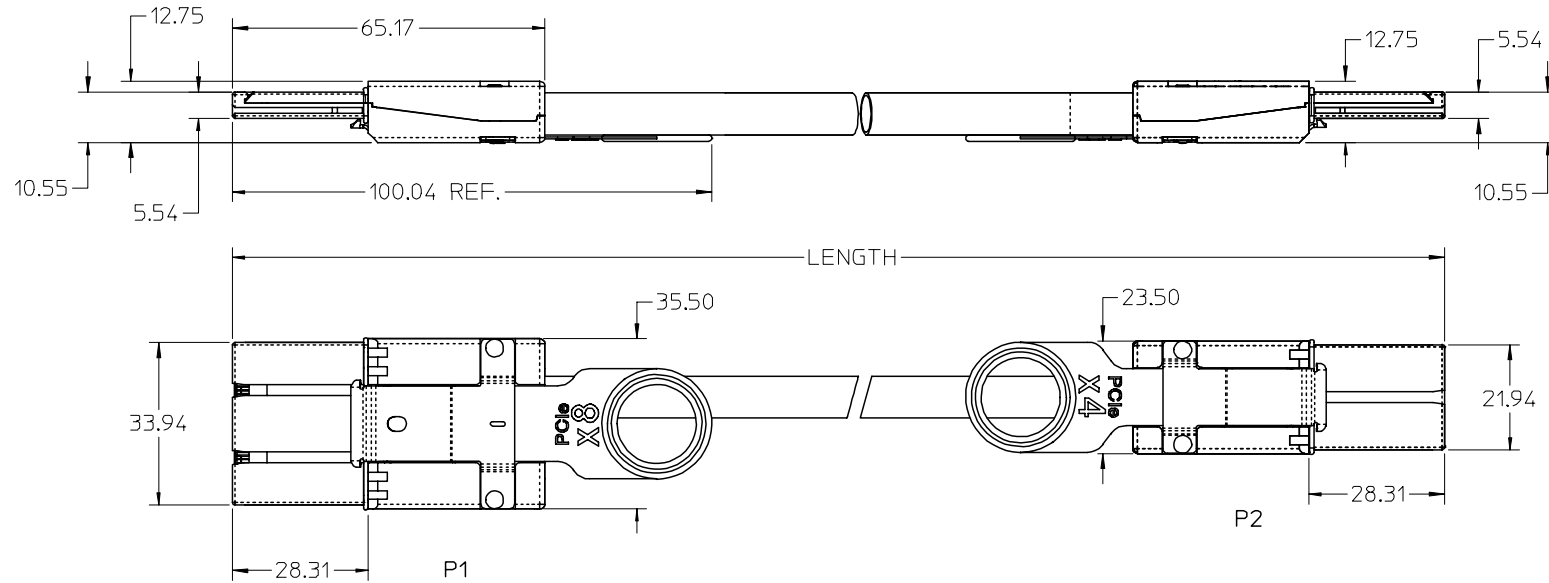
Contact us

Tel: +86-755-8981 8866 Fax: +86-755-8427 6832

Email & Skype: info@chipsmall.com Web: www.chipsmall.com

Address: A1208, Overseas Decoration Building, #122 Zhenhua RD., Futian, Shenzhen, China





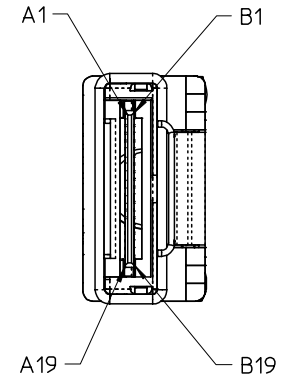
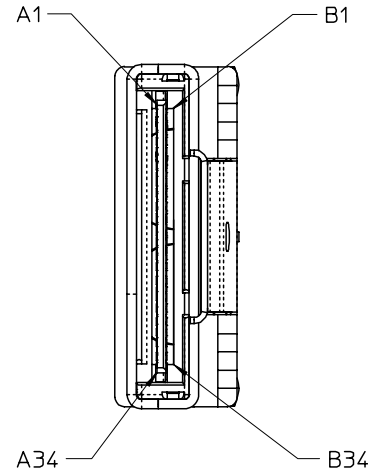
LENGTH	
74546-4080	0.5M
74546-4081	1M
74546-4082	2M
74546-4083	3M
74546-4084	4M
74546-4085	5M
74546-4086	6M
74546-4087	7M

- NOTES:
- MATERIAL =
BACKSHELL - ZINC DIECAST
PULL - NYLON
 - LENGTH= SEE TABLE
 - ELECTRICAL PERFORMANCE PER PCI EXPRESS EXTERNAL CABLING SPEC, REV 1.0
 - X8 PLUG MATES TO RECEPTACLE 75586-0002, AND EMI GUIDE HOUSING ASSY. 74540-0101
 - X4 PLUG MATES TO RECEPTACLE 75586-0010 AND EMI GUIDE HOUSING ASSY. 74540-0401.
 - THIS PRODUCT MEETS THE RESTRICTIONS OF HAZARDOUS SUBSTANCES IN ELECTRICAL AND ELECTRONIC EQUIPMENT (RoHS) DIRECTIVE (2002/95/EC).

IPASS™ IS A TRADEMARK OF MOLEX

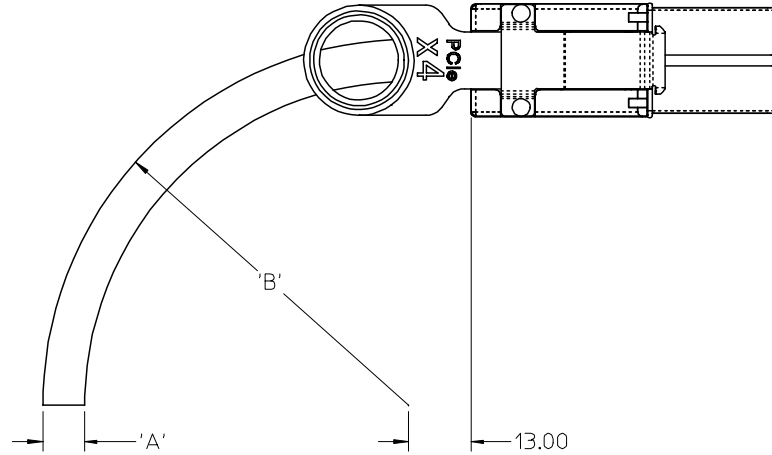
ENTER DESCRIPTION EC NO: USY2007-0450 DRWN: JERWIN 2007/05/23 CHKD: BREED 2007/06/01 APPR: DDOYE 2007/06/18 A	QUALITY SYMBOLS ▽=0 ▽=0	GENERAL TOLERANCES (UNLESS SPECIFIED)		DIMENSION STYLE MM ONLY		SCALE 1:1	DESIGN UNITS METRIC	THIRD ANGLE PROJECTION
		4 PLACES ± --- ± ---	DRAWN BY BAREED	DATE 2006/03/22	TITLE IPASS PCIE TRANSITION CABLE X4 - X8			
		3 PLACES ± --- ± ---	CHECKED BY DDOYE	DATE 2006/03/22				
		2 PLACES ± 0.13 ± ---	APPROVED BY DDOYE		DATE 2006/03/22	MOLEX MOLEX INCORPORATED		
1 PLACE ± 0.25 ± ---	MATERIAL NO. SEE TABLE		DOCUMENT NO. SD-74546-408	SHEET NO. 1 OF 3				
DRAFT WHERE APPLICABLE MUST REMAIN WITHIN DIMENSIONS		SIZE B	THIS DRAWING CONTAINS INFORMATION THAT IS PROPRIETARY TO MOLEX INCORPORATED AND SHOULD NOT BE USED WITHOUT WRITTEN PERMISSION					

GND	A1	B1	GND
PETp0	A2	B2	PERp0
PETn0	A3	B3	PERn0
GND	A4	B4	GND
PETp1	A5	B5	PERp1
PETn1	A6	B6	PERn1
GND	A7	B7	GND
PETp2	A8	B8	PERp2
PETn2	A9	B9	PERn2
GND	A10	B10	GND
PETp3	A11	B11	PERp3
PETn3	A12	B12	PERn3
GND	A13	B13	GND
CREFLCK+	A14	A14	CREFLCK+
CREFLCK-	A15	A15	CREFLCK-
GND	A16	A16	GND
NC	A17		
NC	A18		
SB_RTN	A19	A17	SB_RTN
CPRSNT#	A20	A18	CPRSNT#
CPWRON	A21	A19	CPWRON
GND	B1	A1	GND
PERp0	B2	A2	PETp0
PERn0	B3	A3	PETn0
GND	B4	A4	GND
PERp1	B5	A5	PETp1
PERn1	B6	A6	PETn1
GND	B7	A7	GND
PERp2	B8	A8	PETp2
PERn2	B9	A9	PETn2
GND	B10	A10	GND
PERp3	B11	A11	PETp3
PERn3	B12	A12	PETn3
GND	B13	A13	GND
NC	B14	B14	NC
NC	B15	B15	NC
NC	B16	B16	NC
NC	B17	B17	NC
NC	B18		
NC	B19		
CWAKE#	B20	B18	CWAKE#
CPERST#	B21	B19	CPERST#



IPASS IS™ A TRADEMARK OF MOLEX

ENTER DESCRIPTION EC NO: USY2007-0450 DRWN: JERMIN 2007/05/23 CHKD: BREED 2007/06/01 APPR: DDOYE 2007/06/18	QUALITY SYMBOLS ▽=0 ▽=0	GENERAL TOLERANCES (UNLESS SPECIFIED)		DIMENSION STYLE MM ONLY	SCALE 1:1	DESIGN UNITS METRIC	THIRD ANGLE PROJECTION	
		4 PLACES ± --- ± ---	DRAWN BY BAREED	DATE 2006/03/22	TITLE IPASS PCIE TRANSITION CABLE X4 - X8			
		3 PLACES ± --- ± ---	CHECKED BY DDOYE	DATE 2006/03/22				
		2 PLACES ± 0.13 ± --- 1 PLACE ± 0.25 ± --- ANGULAR ±1/2°	APPROVED BY DDOYE	DATE 2006/03/22	MOLEX INCORPORATED			
DRAFT WHERE APPLICABLE MUST REMAIN WITHIN DIMENSIONS	MATERIAL NO. SEE CHART	DOCUMENT NO. SD-74546-408	SHEET NO. 2 OF 3		THIS DRAWING CONTAINS INFORMATION THAT IS PROPRIETARY TO MOLEX INCORPORATED AND SHOULD NOT BE USED WITHOUT WRITTEN PERMISSION			



CABLE GAUGE	24	26	28
A. CABLE DIAMETER	10.4	9.3	8.4
B. MINIMUM OUTER RADIUS	46.9	41.7	37.7
C. FACEPLATE TO OUTER RADIUS	102.2	97.0	93.0

IPASS™ IS A TRADEMARK OF MOLEX

ENTER DESCRIPTION EC NO: USY2007-0450 DRWN: JERWIN 2007/05/23 CHKD: BREED 2007/06/01 APPR: DDOYE 2007/06/18	DESCRIPTION REV A	QUALITY SYMBOLS ▽=0 ▽=0	GENERAL TOLERANCES (UNLESS SPECIFIED)		DIMENSION STYLE MM ONLY	SCALE 1:1	DESIGN UNITS METRIC	THIRD ANGLE PROJECTION
		4 PLACES ± --- ± --- 3 PLACES ± --- ± --- 2 PLACES ± 0.13 ± --- 1 PLACE ± 0.25 ± ---	mm INCH DRAWN BY BAREED DATE 2006/03/22 CHECKED BY DDOYE DATE 2006/03/22 APPROVED BY DDOYE DATE 2006/03/22	TITLE IPASS PCIE TRANSITION CABLE X4 - X8				
		ANGULAR ±1/2°	MATERIAL NO. SEE TABLE	DOCUMENT NO. SD-74546-408				
		DRAFT WHERE APPLICABLE MUST REMAIN WITHIN DIMENSIONS	SIZE B THIS DRAWING CONTAINS INFORMATION THAT IS PROPRIETARY TO MOLEX INCORPORATED AND SHOULD NOT BE USED WITHOUT WRITTEN PERMISSION	SHEET NO. 3 OF 3				