



Chipsmall Limited consists of a professional team with an average of over 10 year of expertise in the distribution of electronic components. Based in Hongkong, we have already established firm and mutual-benefit business relationships with customers from,Europe,America and south Asia,supplying obsolete and hard-to-find components to meet their specific needs.

With the principle of “Quality Parts,Customers Priority,Honest Operation,and Considerate Service”,our business mainly focus on the distribution of electronic components. Line cards we deal with include Microchip,ALPS,ROHM,Xilinx,Pulse,ON,Everlight and Freescale. Main products comprise IC,Modules,Potentiometer,IC Socket,Relay,Connector.Our parts cover such applications as commercial,industrial, and automotives areas.

We are looking forward to setting up business relationship with you and hope to provide you with the best service and solution. Let us make a better world for our industry!



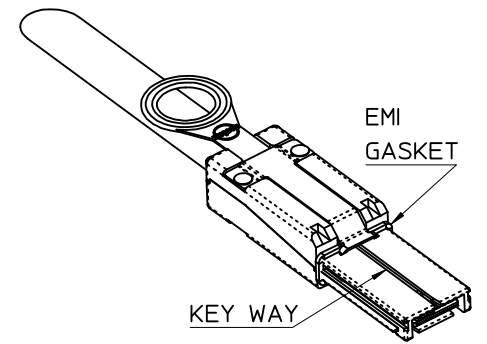
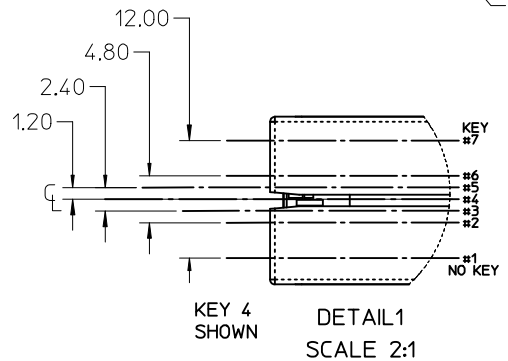
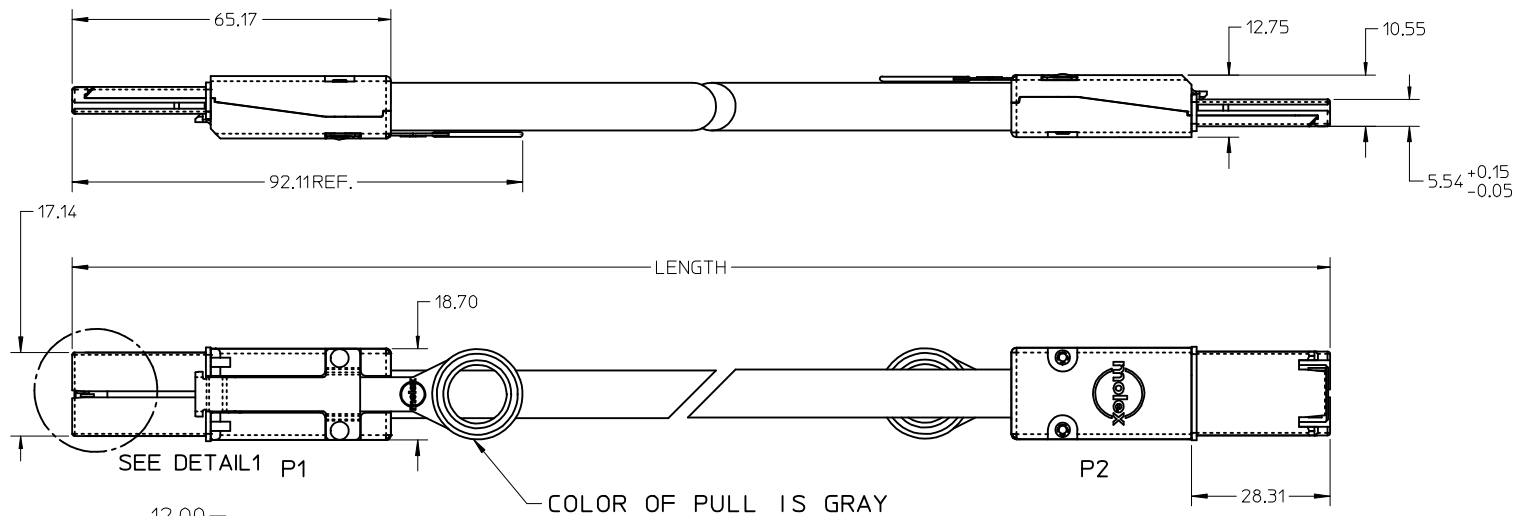
Contact us

Tel: +86-755-8981 8866 Fax: +86-755-8427 6832

Email & Skype: info@chipsmall.com Web: www.chipsmall.com

Address: A1208, Overseas Decoration Building, #122 Zhenhua RD., Futian, Shenzhen, China



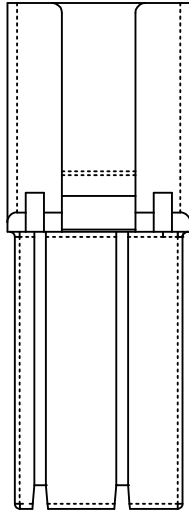


- NOTES:
 1. MATERIAL=
 BACKSHELLS - ZINC DIECAST
 PULL - MOLDED PLASTIC - GRAY
 2. LENGTH- SEE TABLE
 3. ELECTRICAL PERFORMANCE PER SERIAL ATTACH SCSI 1.1
 4. PLUG MATES TO RECEPTACLE 75586 SERIES, AND EMI HOUSING ASSY, 74548-0100
 5. THIS PRODUCT MEETS THE RESTRICTION OF HAZARDOUS SUBSTANCES IN ELECTRICAL AND ELECTRONIC EQUIPMENT (RoHS) DIRECTIVE (2002/95/EC)

I-PASS™ IS A TRADEMARK OF MOLEX

ENTER DESCRIPTION EC NO: USY2007-0468 /DRWN:SNAYARRO 2007/06/22 CHKD:DDOYE APPR:DDOYE 2007/06/25	DESCRIPTION 2007/06/22	QUALITY SYMBOLS	GENERAL TOLERANCES (UNLESS SPECIFIED)	DIMENSION STYLE	SCALE	DESIGN UNITS	THIRD ANGLE PROJECTION
		▼=0 ▽=0	mm INCH 4 PLACES ± --- ± --- 3 PLACES ± --- ± --- 2 PLACES ± 0.13 ± --- 1 PLACE ± 0.25 ± --- ANGULAR ± 1/2°	MM ONLY DRAWN BY DATE KPHILLIPS 2005/28/07 CHECKED BY DATE BREED 2005/28/07 APPROVED BY DATE DDOYE 2005/28/07	1:1 METRIC	THIRD ANGLE PROJECTION	
		DRAFT WHERE APPLICABLE MUST REMAIN WITHIN DIMENSIONS	MATERIAL NO. SEE TABLE	TITLE I-PASS 26 CKT EXTERNAL CABLE ASSEMBLY, CX4	MOLEX INCORPORATED		
		SIZE B	THIS DRAWING CONTAINS INFORMATION THAT IS PROPRIETARY TO MOLEX INCORPORATED AND SHOULD NOT BE USED WITHOUT WRITTEN PERMISSION	DOCUMENT NO. SD-74547-600	SHEET NO. 1 OF 3		

KEYING IDENTIFIER CX4



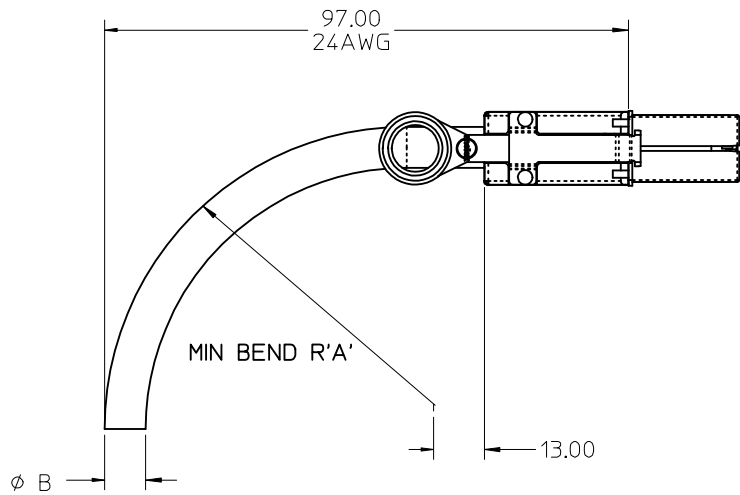
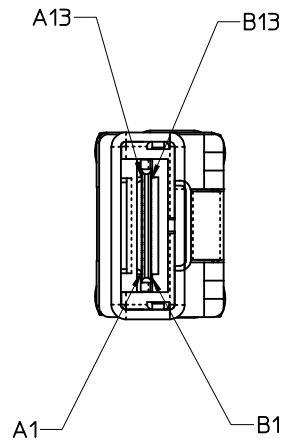
2.7
CX4
KEY

MATERIAL NUMBER	DESCRIPTION	GAUGE	LENGTH	KEY	IDENTIFIER
745476005	X4 CX4 CABLE ASSEMBLY	28 AWG	0.5M	2.7	CX4
745476010	X4 CX4 CABLE ASSEMBLY	28 AWG	1M	2.7	CX4
745476020	X4 CX4 CABLE ASSEMBLY	28 AWG	2M	2.7	CX4
745476030	X4 CX4 CABLE ASSEMBLY	28 AWG	3M	2.7	CX4
745476040	X4 CX4 CABLE ASSEMBLY	28 AWG	4M	2.7	CX4
745476050	X4 CX4 CABLE ASSEMBLY	28 AWG	5M	2.7	CX4
745476060	X4 CX4 CABLE ASSEMBLY	28 AWG	6M	2.7	CX4
745476070	X4 CX4 CABLE ASSEMBLY	28 AWG	7M	2.7	CX4
745476080	X4 CX4 CABLE ASSEMBLY	28 AWG	8M	2.7	CX4
745476090	X4 CX4 CABLE ASSEMBLY	28 AWG	9M	2.7	CX4
745476100	X4 CX4 CABLE ASSEMBLY	26 AWG	10M	2.7	CX4
745476110	X4 CX4 CABLE ASSEMBLY	26 AWG	11M	2.7	CX4
745476120	X4 CX4 CABLE ASSEMBLY	26 AWG	12M	2.7	CX4
745476130	X4 CX4 CABLE ASSEMBLY	26 AWG	13M	2.7	CX4
745476140	X4 CX4 CABLE ASSEMBLY	26 AWG	14M	2.7	CX4
745476150	X4 CX4 CABLE ASSEMBLY	24 AWG	15M	2.7	CX4

IPASS™ IS A TRADEMARK OF MOLEX

ENTER DESCRIPTION EC NO: USY2007-0468 DRWN: SNAVARRO CHKD: DDOYE APPR: DDOYE	QUALITY SYMBOLS ▽=0 ▽7=0	GENERAL TOLERANCES (UNLESS SPECIFIED)		DIMENSION STYLE		SCALE	DESIGN UNITS	THIRD ANGLE PROJECTION			
				MM ONLY		1:1	METRIC				
				mm	INCH	DRAWN BY	DATE	I-PASS 26 CKT EXTERNAL CABLE ASSEMBLY, CX4 MOLEX INCORPORATED			
				4 PLACES ± ---	± ---	KPHILLIPS	2005/28/07				
		ANGULAR ±1/2°		CHECKED BY	DATE	SD-74547-600 SHEET NO. 2 OF 3					
		DRAFT WHERE APPLICABLE MUST REMAIN WITHIN DIMENSIONS		BREED	2005/28/07						
				APPROVED BY	DATE	THIS DRAWING CONTAINS INFORMATION THAT IS PROPRIETARY TO MOLEX INCORPORATED AND SHOULD NOT BE USED WITHOUT WRITTEN PERMISSION					
				DDOYE	2005/28/07						

10 9 8 7 6 5 4 3 2 1



CABLE	A	B
24AWG	46.9	10.40
26AWG	41.7	9.30
28AWG	37.7	8.40

GND	A1	B1	GND
Rx 0+	A2	B2	Tx 0+
Rx 0-	A3	B3	Tx 0-
GND	A4	B4	GND
Rx 1+	A5	B5	Tx 1+
Rx 1-	A6	B6	Tx 1-
GND	A7	B7	GND
Rx 2+	A8	B8	Tx 2+
Rx 2-	A9	B9	Tx 2-
GND	A10	B10	GND
Rx 3+	A11	B11	Tx 3+
Rx 3-	A12	B12	Tx 3-
GND	A13	B13	GND
GND	B1	A1	GND
Tx 0+	B2	A2	Rx 0+
Tx 0-	B3	A3	Rx 0-
GND	B4	A4	GND
Tx 1+	B5	A5	Rx 1+
Tx 1-	B6	A6	Rx 1-
GND	B7	A7	GND
Tx 2+	B8	A8	Rx 2+
Tx 2-	B9	A9	Rx 2-
GND	B10	A10	GND
Tx 3+	B11	A11	Rx 3+
Tx 3-	B12	A12	Rx 3-
GND	B13	A13	GND

IPASS™ IS A TRADEMARK OF MOLEX

ENTER DESCRIPTION EC NO: USY2007-0468 DRAWN: SNAVARRO 2007/06/22 CHKD: DDOYE 2007/06/22 APPR: DDOYE 2007/06/25	QUALITY SYMBOLS ▽=0 ▽=0	GENERAL TOLERANCES (UNLESS SPECIFIED)		DIMENSION STYLE MM ONLY		SCALE 1:1	DESIGN UNITS METRIC	THIRD ANGLE PROJECTION	
		mm	INCH	DRAWN BY KPHILLIPS	DATE 2005/28/07	TITLE I-PASS 26 CKT EXTERNAL CABLE ASSEMBLY, CX4			
B	DESCRIPTION	4 PLACES	± ---	± ---	CHECKED BY BREED	DATE 2005/28/07	molex MOLEX INCORPORATED	DOCUMENT NO. SD-74547-600	SHEET NO. 3 OF 3
		3 PLACES	± ---	± ---	APPROVED BY DDOYE	DATE 2005/28/07			
		2 PLACES	± 0.13	± ---	MATERIAL NO. SEE TABLE				
		1 PLACE	± 0.25	± ---	THIS DRAWING CONTAINS INFORMATION THAT IS PROPRIETARY TO MOLEX INCORPORATED AND SHOULD NOT BE USED WITHOUT WRITTEN PERMISSION				
		ANGULAR ±1/2°		DRAFT WHERE APPLICABLE MUST REMAIN WITHIN DIMENSIONS					

9 8 7 6 5 4 3 2 1