



Chipsmall Limited consists of a professional team with an average of over 10 year of expertise in the distribution of electronic components. Based in Hongkong, we have already established firm and mutual-benefit business relationships with customers from,Europe,America and south Asia,supplying obsolete and hard-to-find components to meet their specific needs.

With the principle of “Quality Parts,Customers Priority,Honest Operation,and Considerate Service”,our business mainly focus on the distribution of electronic components. Line cards we deal with include Microchip,ALPS,ROHM,Xilinx,Pulse,ON,Everlight and Freescale. Main products comprise IC,Modules,Potentiometer,IC Socket,Relay,Connector.Our parts cover such applications as commercial,industrial, and automotives areas.

We are looking forward to setting up business relationship with you and hope to provide you with the best service and solution. Let us make a better world for our industry!



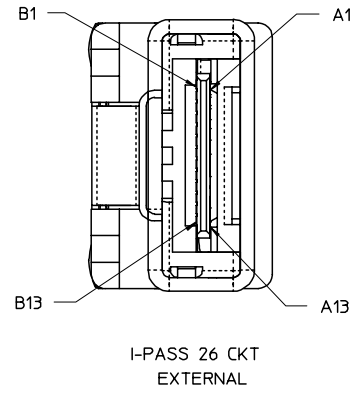
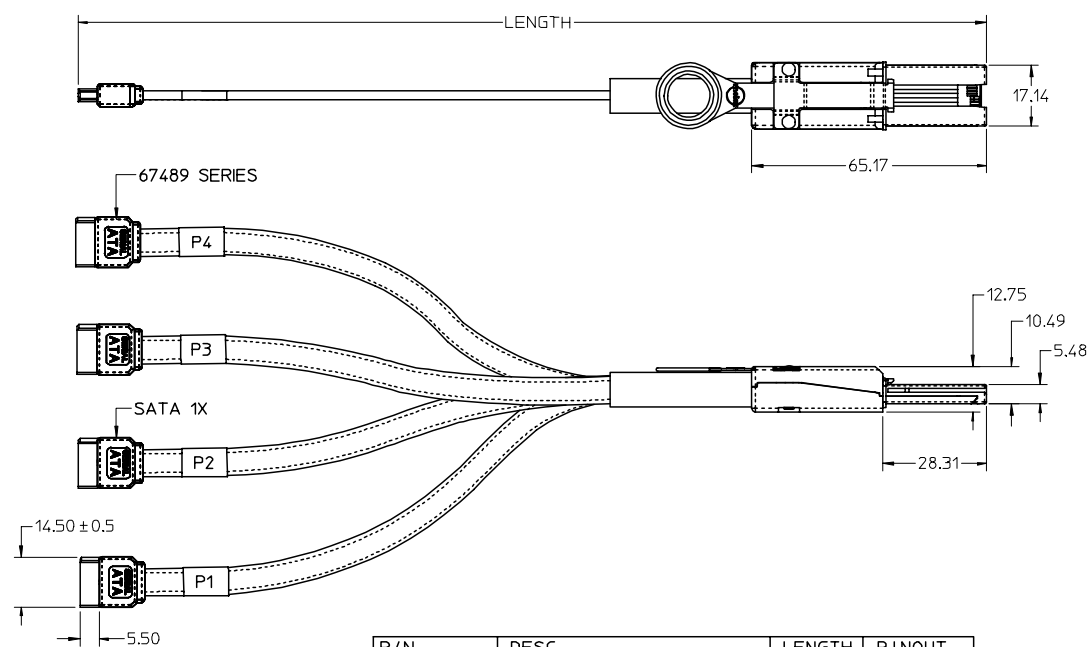
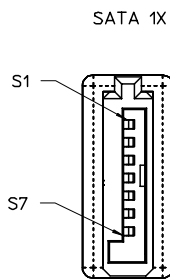
Contact us

Tel: +86-755-8981 8866 Fax: +86-755-8427 6832

Email & Skype: info@chipsmall.com Web: www.chipsmall.com

Address: A1208, Overseas Decoration Building, #122 Zhenhua RD., Futian, Shenzhen, China





P/N	DESC	LENGTH	PINOUT
745570001	SAS 26 CKT TO SATA 1X	0.5M	PINOUT 1
745570002	SAS 26 CKT TO SATA 1X	1M	PINOUT 1
745570003	SAS 26 CKT TO SATA 1X	0.5M	PINOUT 2
745570004	SAS 26 CKT TO SATA 1X	1M	PINOUT 2

TARGET BASED IPASS			HOST BASED SATA			
SAS 26 CKT EXTERNAL	SIGNAL DESC	SIGNAL DESC	PIN OUT 1		PIN OUT 2	
			SATA X1	SATA X1		
			P1 P2 P3 P4	P1 P2 P3 P4		
B4	SGND	SGND	S7		S7	
B2	Tx0+	Rx0+	S6		S6	
B3	Tx0-	Rx0-	S5		S5	
NC	SGND	SGND	S4		S4	
A2	Rx0+	Tx0+	S3		S2	
A3	Rx0-	Tx0-	S2		S3	
A4	SGND	SGND	S1		S1	
B7	SGND	SGND	S7		S7	
B5	Tx1+	Rx1+	S6		S6	
B6	Tx1-	Rx1-	S5		S5	
NC	SGND	SGND	S4		S4	
A5	Rx1+	Tx1+	S3		S2	
A6	Rx1-	Tx1-	S2		S3	
A7	SGND	SGND	S1		S1	
B10	SGND	SGND	S7		S7	
B8	Tx2+	Rx2+	S6		S6	
B9	Tx2-	Rx2-	S5		S5	
NC	SGND	SGND	S4		S4	
A8	Rx2+	Tx2+	S3		S2	
A9	Rx2-	Tx2-	S2		S3	
A10	SGND	SGND	S1		S1	
B13	SGND	SGND	S7		S7	
B11	Tx3+	Rx3+	S6		S6	
B12	Tx3-	Rx3-	S5		S5	
NC	SGND	SGND	S4		S4	
A11	Rx3+	Tx3+	S3		S2	
A12	Rx3-	Tx3-	S2		S3	
A13	SGND	SGND	S1		S1	

SGND= SIGNAL GROUND
NC= NOT CONNECTED

- NOTES:
1. LENGTH- SEE TABLE
 2. ELECTRICAL PERFORMANCE PER SERIAL ATTACH SCSI
 3. ASSEMBLY IS TO BE RoHS COMPLIANT BY JULY 1, 2005
 4. SATA 1X MATES WITH:
RIGHT ANGLE: 67490-9220/9221/0220/0221
VERTICAL: 67491-0010/0011/0030/0031
 5. I-PASS 4X EXTERNAL (UNIVERSAL KEY) MATES WITH:
RECEPTICAL: 75586-0004
EMI GUIDE HOUSING ASSEMBLY: 74548-0103 TO 0111,
74548-0203 TO 0211

ENTER DESCRIPTION EC NO: USY2008-0083 DRAWN: JERWIN 2007/10/12 CHKD: DDOYE 2007/10/17 APPR: DDOYE 2007/10/17 REVISION 1 2	QUALITY SYMBOLS =0 =0	GENERAL TOLERANCES (UNLESS SPECIFIED)		DIMENSION STYLE MM/IN		SCALE 1:1	DESIGN UNITS METRIC	THIRD ANGLE PROJECTION		
		4 PLACES ± --- ±.0002	3 PLACES ± --- ±.005	2 PLACES ± 0.13 ±.01	1 PLACE ± 0.25 ± ---	ANGULAR ±1/2°	DRAWN BY THALL	DATE 2005/05/19	CHECKED BY DDOYE	DATE 2005/05/19
		DRAFT WHERE APPLICABLE MUST REMAIN WITHIN DIMENSIONS		SEE CHART		MATERIAL NO. SD-74557-100	MOLEX INCORPORATED			
		THIS DRAWING CONTAINS INFORMATION THAT IS PROPRIETARY TO MOLEX INCORPORATED AND SHOULD NOT BE USED WITHOUT WRITTEN PERMISSION		SHEET NO. 1 OF 1						