



Chipsmall Limited consists of a professional team with an average of over 10 year of expertise in the distribution of electronic components. Based in Hongkong, we have already established firm and mutual-benefit business relationships with customers from,Europe,America and south Asia,supplying obsolete and hard-to-find components to meet their specific needs.

With the principle of "Quality Parts,Customers Priority,Honest Operation,and Considerate Service",our business mainly focus on the distribution of electronic components. Line cards we deal with include Microchip,ALPS,ROHM,Xilinx,Pulse,ON,Everlight and Freescale. Main products comprise IC,Modules,Potentiometer,IC Socket,Relay,Connector.Our parts cover such applications as commercial,industrial, and automotives areas.

We are looking forward to setting up business relationship with you and hope to provide you with the best service and solution. Let us make a better world for our industry!



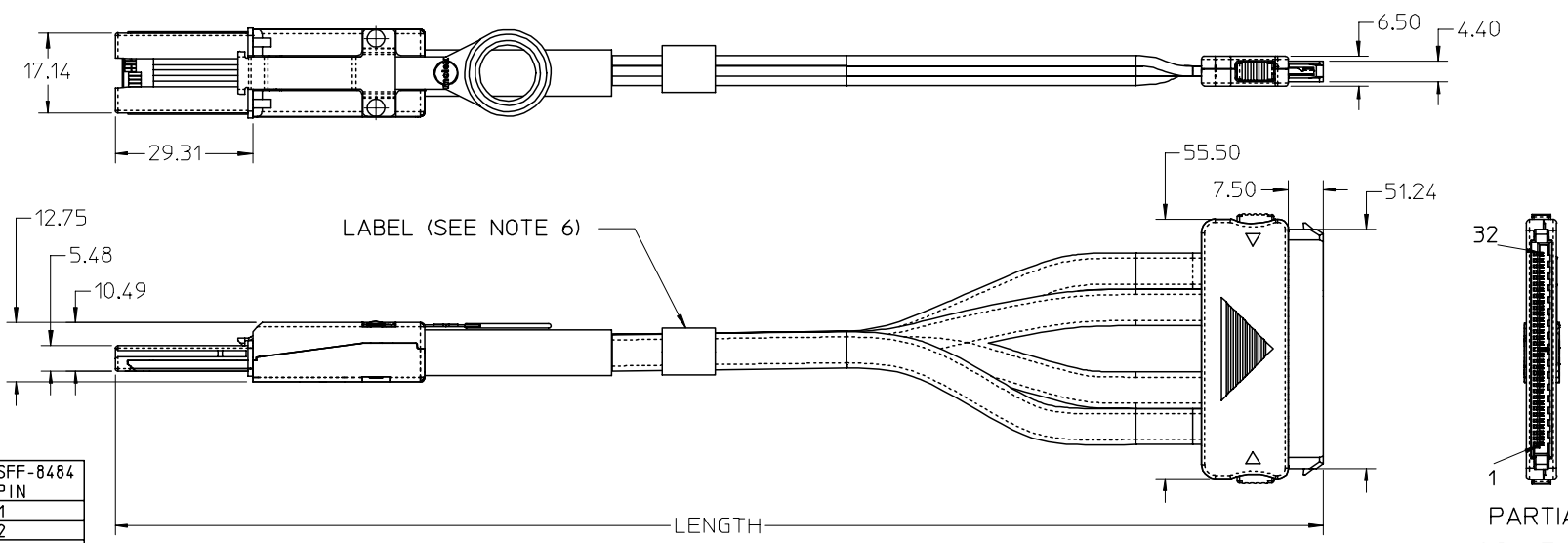
Contact us

Tel: +86-755-8981 8866 Fax: +86-755-8427 6832

Email & Skype: info@chipsmall.com Web: www.chipsmall.com

Address: A1208, Overseas Decoration Building, #122 Zhenhua RD., Futian, Shenzhen, China





SAS 26 CKT PIN	SIGNAL DESC	SIGNAL DESC	SFF-8484 PIN
B4	SGND	SGND	1
B2	Tx0+	Rx0+	2
B3	Tx0-	Rx0-	3
A4	SGND	SGND	4
A2	Rx0+	Tx0+	6
A3	Rx0-	Tx0-	5
B7	SGND	SGND	7
B5	Tx1+	Rx1+	8
B6	Tx1-	Rx1-	9
A7	SGND	SGND	10
A5	Rx1+	Tx1+	12
A6	Rx1-	Tx1-	11
NC	SGND	SGND	13
		NC	14
		NC	15
		NC	16
		NC	17
		NC	18
		NC	19
NC	SGND	SGND	20
B8	Tx2+	Rx2+	21
B9	Tx2-	Rx2-	22
B10	SGND	SGND	23
A8	Rx2+	Tx2+	25
A9	Rx2-	Tx2-	24
A10	SGND	SGND	26
B11	Tx3+	Rx3+	27
B12	Tx3-	Rx3-	28
B13	SGND	SGND	29
A11	Rx3+	Tx3+	31
A12	Rx3-	Tx3-	30
A13	SGND	SGND	32

P/N	DESC	LENGTH
74558-0001	SAS 26 CKT TO INTERNAL SFF-8484	0.5M
74558-0002	SAS 26 CKT TO INTERNAL SFF-8484	1.0M

- NOTES:
1. LENGTH- SEE TABLE
 2. ELECTRICAL PERFORMANCE PER SERIAL ATTACH SCSI
 3. ASSEMBLY IS TO BE RoHS COMPLIANT BY JULY 1, 2005
 4. SFF-8484 MATES WITH:
RIGHT ANGLE: 87861
VERTICAL: 87862
 5. 1-PASS 4X EXTERNAL (UNIVERSAL KEY) MATES WITH:
RECEPTICAL: 75586-0004
EMI GUIDE HOUSING ASSEMBLY: 74548-0103 TO 0111,
74548-0203 TO 0211
 6. LABEL
MOLEX P/N
MOLEX
MADE IN CHINA
YDDD

SGND= SIGNAL GROUND
NC= NOT CONNECTED

ENTER DESCRIPTION EC NO: USY2008-0160 DRWN: PYSYWSA 2007/11/14 CHKD: 2007/11/15 APPR: DDOYE 2007/11/26 REV DESCRIPTION	QUALITY SYMBOLS	GENERAL TOLERANCES (UNLESS SPECIFIED)	DIMENSION STYLE	SCALE	DESIGN UNITS	THIRD ANGLE PROJECTION											
	$\nabla=0$ $\nabla=0$	<table border="1"> <tr><th>mm</th><th>INCH</th></tr> <tr><td>4 PLACES ± ---</td><td>±.0002</td></tr> <tr><td>3 PLACES ± ---</td><td>±.005</td></tr> <tr><td>2 PLACES ± 0.13</td><td>±.01</td></tr> <tr><td>1 PLACE ± 0.25</td><td>± ---</td></tr> </table> ANGULAR ±1/2°	mm	INCH	4 PLACES ± ---	±.0002	3 PLACES ± ---	±.005	2 PLACES ± 0.13	±.01	1 PLACE ± 0.25	± ---	MM/IN	1:1	METRIC	THALL 2005/05/19 DATE CHECKED BY DDOYE 2005/05/19 DATE APPROVED BY DDOYE 2005/05/19 DATE	SAS 26 CKT TO INTERNAL SFF-8484 PLUG TO PLUG
	mm	INCH															
	4 PLACES ± ---	±.0002															
3 PLACES ± ---	±.005																
2 PLACES ± 0.13	±.01																
1 PLACE ± 0.25	± ---																
DRAFT WHERE APPLICABLE MUST REMAIN WITHIN DIMENSIONS	SEE TABLE	MATERIAL NO.	DOCUMENT NO.	MOLEX INCORPORATED SD-74558-100		SHEET NO.											
		SIZE B	THIS DRAWING CONTAINS INFORMATION THAT IS PROPRIETARY TO MOLEX INCORPORATED AND SHOULD NOT BE USED WITHOUT WRITTEN PERMISSION			1 OF 1											