



Chipsmall Limited consists of a professional team with an average of over 10 year of expertise in the distribution of electronic components. Based in Hongkong, we have already established firm and mutual-benefit business relationships with customers from,Europe,America and south Asia,supplying obsolete and hard-to-find components to meet their specific needs.

With the principle of "Quality Parts,Customers Priority,Honest Operation,and Considerate Service",our business mainly focus on the distribution of electronic components. Line cards we deal with include Microchip,ALPS,ROHM,Xilinx,Pulse,ON,Everlight and Freescale. Main products comprise IC,Modules,Potentiometer,IC Socket,Relay,Connector.Our parts cover such applications as commercial,industrial, and automotives areas.

We are looking forward to setting up business relationship with you and hope to provide you with the best service and solution. Let us make a better world for our industry!



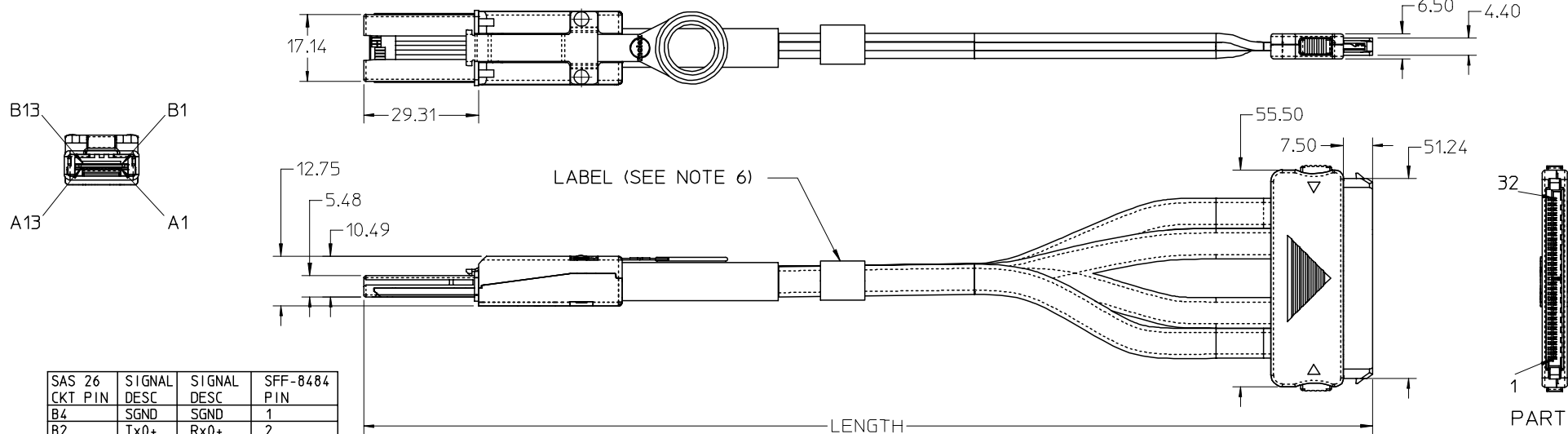
Contact us

Tel: +86-755-8981 8866 Fax: +86-755-8427 6832

Email & Skype: info@chipsmall.com Web: www.chipsmall.com

Address: A1208, Overseas Decoration Building, #122 Zhenhua RD., Futian, Shenzhen, China





| SAS 26 CKT PIN | SIGNAL DESC | SIGNAL DESC | SFF-8484 PIN |
|-------------------|----------------|----------------|-----------------|
| B4 | SGND | SGND | 1 |
| B2 | Tx0+ | Rx0+ | 2 |
| B3 | Tx0- | Rx0- | 3 |
| A4 | SGND | SGND | 4 |
| A2 | Rx0+ | Tx0+ | 6 |
| A3 | Rx0- | Tx0- | 5 |
| B7 | SGND | SGND | 7 |
| B5 | Tx1+ | Rx1+ | 8 |
| B6 | Tx1- | Rx1- | 9 |
| A7 | SGND | SGND | 10 |
| A5 | Rx1+ | Tx1+ | 12 |
| A6 | Rx1- | Tx1- | 11 |
| NC | SGND | SGND | 13 |
| | | NC | 14 |
| | | NC | 15 |
| | | NC | 16 |
| | | NC | 17 |
| | | NC | 18 |
| | | NC | 19 |
| NC | SGND | SGND | 20 |
| B8 | Tx2+ | Rx2+ | 21 |
| B9 | Tx2- | Rx2- | 22 |
| B10 | SGND | SGND | 23 |
| A8 | Rx2+ | Tx2+ | 25 |
| A9 | Rx2- | Tx2- | 24 |
| A10 | SGND | SGND | 26 |
| B11 | Tx3+ | Rx3+ | 27 |
| B12 | Tx3- | Rx3- | 28 |
| B13 | SGND | SGND | 29 |
| A11 | Rx3+ | Tx3+ | 31 |
| A12 | Rx3- | Tx3- | 30 |
| A13 | SGND | SGND | 32 |

| P/N | DESC | LENGTH |
|------------|---------------------------------|--------|
| 74558-0001 | SAS 26 CKT TO INTERNAL SFF-8484 | 0.5M |
| 74558-0002 | SAS 26 CKT TO INTERNAL SFF-8484 | 1.0M |

- NOTES:
1. LENGTH- SEE TABLE
 2. ELECTRICAL PERFORMANCE PER SERIAL ATTACH SCSI
 3. ASSEMBLY IS TO BE RoHS COMPLIANT BY JULY 1, 2005
 4. SFF-8484 MATES WITH:
RIGHT ANGLE: 87861
VERTICAL: 87862
 5. 1-PASS 4X EXTERNAL (UNIVERSAL KEY) MATES WITH:
RECEPTICAL: 75586-0004
EMI GUIDE HOUSING ASSEMBLY: 74548-0103 TO 0111,
74548-0203 TO 0211
 6. LABEL
MOLEX P/N
MOLEX
MADE IN CHINA
YDDD

SGND= SIGNAL GROUND
NC= NOT CONNECTED

| | | | | | | | |
|---|--------------------------|---|-----------------|--------------|--|--|---|
| ENTER DESCRIPTION EC NO: USY2008-0160 DRWN: PYSYWSA 2007/11/14 CHKD: 2007/11/15 APPR: DDOYE 2007/11/26 REV DESCRIPTION | QUALITY SYMBOLS | GENERAL TOLERANCES (UNLESS SPECIFIED) | DIMENSION STYLE | SCALE | DESIGN UNITS | THIRD ANGLE PROJECTION | |
| | $\nabla=0$ $\nabla=0$ | mm INCH 4 PLACES ± --- ±.0002 3 PLACES ± --- ±.005 2 PLACES ± 0.13 ±.01 1 PLACE ± 0.25 ± --- ANGULAR ±1/2° | MM/IN | 1:1 | METRIC | DRAWN BY DATE THALL 2005/05/19 CHECKED BY DATE DDOYE 2005/05/19 APPROVED BY DATE DDOYE 2005/05/19 | TITLE SAS 26 CKT TO INTERNAL SFF-8484 PLUG TO PLUG |
| | | DRAFT WHERE APPLICABLE MUST REMAIN WITHIN DIMENSIONS | SEE TABLE | MATERIAL NO. | DOCUMENT NO. | SHEET NO. 1 OF 1 | |
| | | | | SIZE B | THIS DRAWING CONTAINS INFORMATION THAT IS PROPRIETARY TO MOLEX INCORPORATED AND SHOULD NOT BE USED WITHOUT WRITTEN PERMISSION | | |