



Chipsmall Limited consists of a professional team with an average of over 10 year of expertise in the distribution of electronic components. Based in Hongkong, we have already established firm and mutual-benefit business relationships with customers from,Europe,America and south Asia,supplying obsolete and hard-to-find components to meet their specific needs.

With the principle of “Quality Parts,Customers Priority,Honest Operation,and Considerate Service”,our business mainly focus on the distribution of electronic components. Line cards we deal with include Microchip,ALPS,ROHM,Xilinx,Pulse,ON,Everlight and Freescale. Main products comprise IC,Modules,Potentiometer,IC Socket,Relay,Connector.Our parts cover such applications as commercial,industrial, and automotives areas.

We are looking forward to setting up business relationship with you and hope to provide you with the best service and solution. Let us make a better world for our industry!



## Contact us

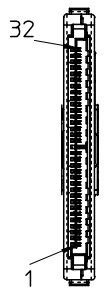
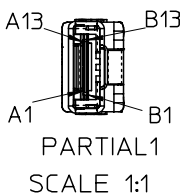
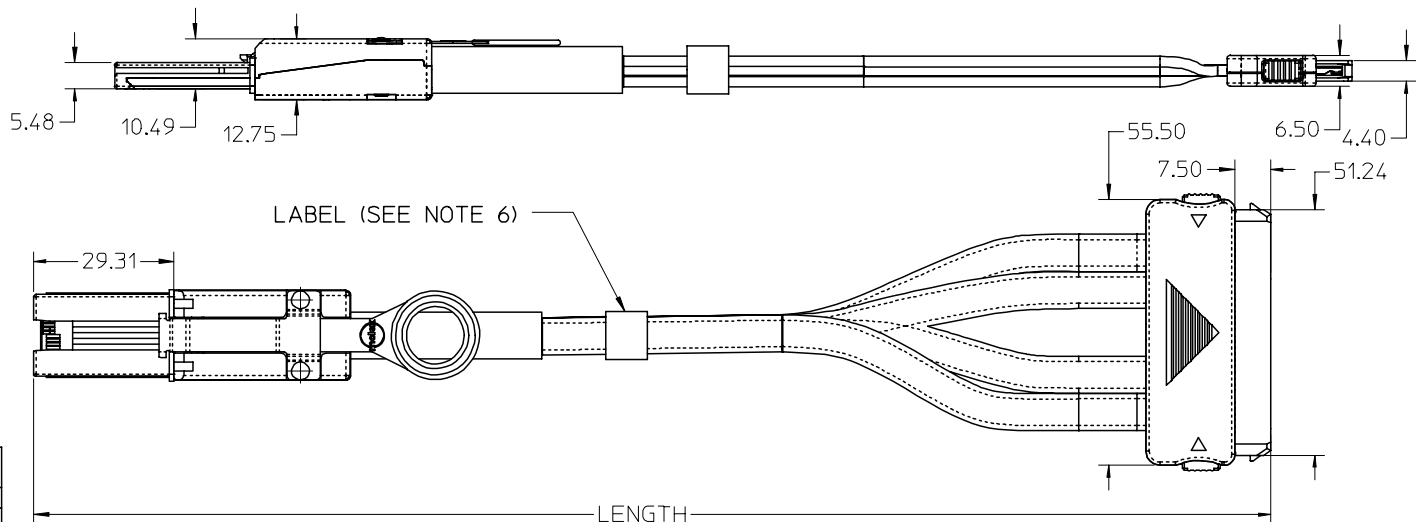
Tel: +86-755-8981 8866 Fax: +86-755-8427 6832

Email & Skype: info@chipsmall.com Web: www.chipsmall.com

Address: A1208, Overseas Decoration Building, #122 Zhenhua RD., Futian, Shenzhen, China



10 9 8 7 6 5 4 3 2 1



SAS 26 CKT PIN	SIGNAL DESC	SIGNAL DESC	SFF-8484 PIN
B1	SGND	SGND	1
A2	Tx0+	Rx0+	2
A3	Tx0-	Rx0-	3
A1	SGND	SGND	4
B2	Rx0+	Tx0+	5
B3	Rx0-	Tx0-	6
B4	SGND	SGND	7
A5	Tx1+	Rx1+	8
A6	Tx1-	Rx1-	9
A4	SGND	SGND	10
B5	Rx1+	Tx1+	12
B6	Rx1-	Tx1-	11
NC	SGND	SGND	13
		NC	14
		NC	15
		NC	16
		NC	17
		NC	18
		NC	19
B7	SGND	SGND	20
A8	Tx2+	Rx2+	21
A9	Tx2-	Rx2-	22
A7	SGND	SGND	23
B8	Rx2+	Tx2+	24
B9	Rx2-	Tx2-	25
B10	SGND	SGND	26
A11	Tx3+	Rx3+	27
A12	Tx3-	Rx3-	28
A10	SGND	SGND	29
B11	Rx3+	Tx3+	31
B12	Rx3-	Tx3-	30
NC	SGND	SGND	32

P/N	DESC	LENGTH
74558-1001	SAS 26 CKT TO INTERNAL SFF-8484	0.5M
74558-1002	SAS 26 CKT TO INTERNAL SFF-8484	1.0M

- NOTES:
1. LENGTH- SEE TABLE
  2. ELECTRICAL PERFORMANCE PER SERIAL ATTACH SCSI
  3. ASSEMBLY IS TO BE RoHS COMPLIANT BY JULY 1, 2005
  4. SFF-8484 MATES WITH:  
RIGHT ANGLE: 87861  
VERTICAL: 87862
  5. 1-PASS 4X EXTERNAL (UNIVERSAL KEY) MATES WITH:  
RECEPTICAL: 75586-0004  
EMI GUIDE HOUSING ASSEMBLY: 74548-0103 TO 0111,  
74548-0203 TO 0211
  6. LABEL  
MOLEX P/N  
MOLEX  
MADE IN CHINA  
YDDD

SGND= SIGNAL GROUND  
NC= NOT CONNECTED

ENTER DESCRIPTION EC NO: USY2008-0160 DRWN: PYSY2007/11/14 CHKD: 2007/11/15 APPR: DDOYE 2007/11/26	QUALITY SYMBOLS ▽=0 ▽=0	GENERAL TOLERANCES (UNLESS SPECIFIED)	DIMENSION STYLE MM/IN	SCALE 1:1	DESIGN UNITS METRIC	THIRD ANGLE PROJECTION															
		<table border="1"> <tr><th></th><th>mm</th><th>INCH</th></tr> <tr><td>4 PLACES</td><td>± ---</td><td>±.0002</td></tr> <tr><td>3 PLACES</td><td>± ---</td><td>±.005</td></tr> <tr><td>2 PLACES</td><td>± 0.13</td><td>± .01</td></tr> <tr><td>1 PLACE</td><td>± 0.25</td><td>± ---</td></tr> </table> ANGULAR ±1/2°		mm	INCH	4 PLACES	± ---	±.0002	3 PLACES	± ---	±.005	2 PLACES	± 0.13	± .01	1 PLACE	± 0.25	± ---	DRAWN BY: JERWIN DATE: 2005/11/02 CHECKED BY: THALL DATE: 2005/11/02 APPROVED BY: DDOYE DATE: 2005/11/02	TITLE: SAS 26 CKT TO INTERNAL SFF-8484 PLUG TO PLUG CROSSOVER		
			mm	INCH																	
		4 PLACES	± ---	±.0002																	
3 PLACES	± ---	±.005																			
2 PLACES	± 0.13	± .01																			
1 PLACE	± 0.25	± ---																			
DRAFT WHERE APPLICABLE MUST REMAIN WITHIN DIMENSIONS	MATERIAL NO. SEE TABLE	MOLEX INCORPORATED DOCUMENT NO. SD-74558-110			SHEET NO. 1 OF 1																
		THIS DRAWING CONTAINS INFORMATION THAT IS PROPRIETARY TO MOLEX INCORPORATED AND SHOULD NOT BE USED WITHOUT WRITTEN PERMISSION																			

9 8 7 6 5 4 3 2 1