



Chipsmall Limited consists of a professional team with an average of over 10 year of expertise in the distribution of electronic components. Based in Hongkong, we have already established firm and mutual-benefit business relationships with customers from,Europe,America and south Asia,supplying obsolete and hard-to-find components to meet their specific needs.

With the principle of “Quality Parts,Customers Priority,Honest Operation,and Considerate Service”,our business mainly focus on the distribution of electronic components. Line cards we deal with include Microchip,ALPS,ROHM,Xilinx,Pulse,ON,Everlight and Freescale. Main products comprise IC,Modules,Potentiometer,IC Socket,Relay,Connector.Our parts cover such applications as commercial,industrial, and automotives areas.

We are looking forward to setting up business relationship with you and hope to provide you with the best service and solution. Let us make a better world for our industry!



## Contact us

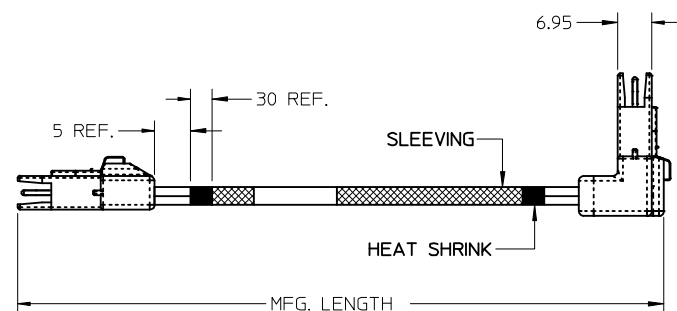
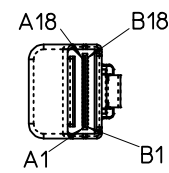
Tel: +86-755-8981 8866 Fax: +86-755-8427 6832

Email & Skype: info@chipsmall.com Web: www.chipsmall.com

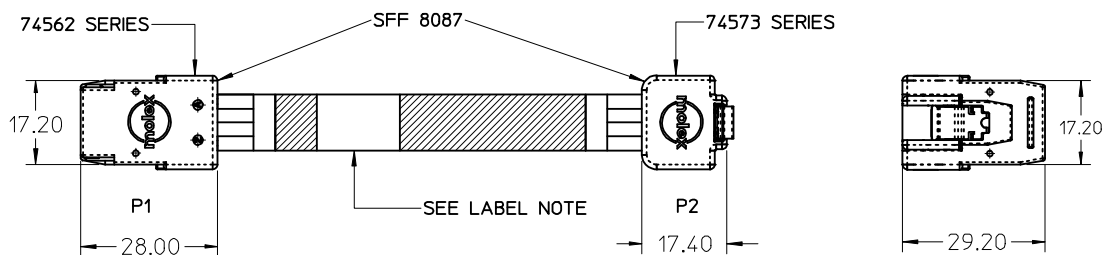
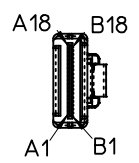
Address: A1208, Overseas Decoration Building, #122 Zhenhua RD., Futian, Shenzhen, China



MATERIAL#	SIDEBANDS	APPLICATION	SLEEVING	AWG	LENGTH(M)	TOL (+/-)	PIN OUT
74573-2100	YES	Ctrl to BP	YES	30	0.152	0.015	PIN OUT 1
74573-2101	YES	Ctrl to BP	YES	30	0.3	0.015	PIN OUT 1
74573-2102	YES	Ctrl to BP	YES	30	0.5	0.015	PIN OUT 1
74573-2103	YES	Ctrl to BP	YES	30	0.6	0.015	PIN OUT 1
74573-2104	YES	Ctrl to BP	YES	30	1.0	0.015	PIN OUT 1
74573-2105	YES	Ctrl to BP	YES	30	0.20	0.015	PIN OUT 1
74573-2110	YES	Ctrl to CTRL	YES	30	0.152	0.015	PIN OUT 2
74573-2111	YES	Ctrl to CTRL	YES	30	0.3	0.015	PIN OUT 2
74573-2112	YES	Ctrl to CTRL	YES	30	0.5	0.015	PIN OUT 2
74573-2113	YES	Ctrl to CTRL	YES	30	0.6	0.015	PIN OUT 2
74573-2120	NO	N/A	YES	30	0.152	0.015	PIN OUT 3
74573-2121	NO	N/A	YES	30	0.3	0.015	PIN OUT 3
74573-2122	NO	N/A	YES	30	0.5	0.015	PIN OUT 3
74573-2123	NO	N/A	YES	30	0.6	0.015	PIN OUT 3
74573-2125	YES	Ctrl to BP	YES	30	0.2	0.015	PIN OUT 1



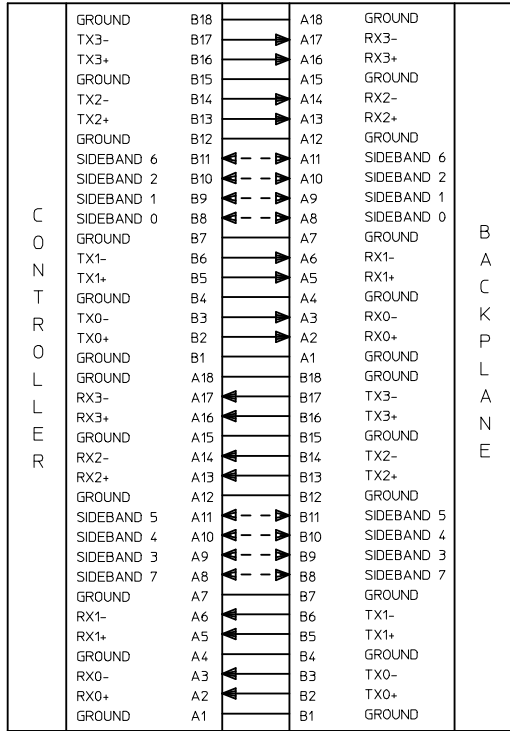
- NOTES:
- MATERIAL:  
 OVER MOLD - POLYBUTYLENE TEREPHTHALATE (PBT), 94-V0,  
 GLASS FILLED 30%.  
 LATCH - STAINLESS STEEL ALLOY.  
 CABLE -  
 SIGNALS PVC INSULATION  
 SOLID COPPER SIGNALAND DRAIN.  
 INNER DIELECTRIC IS POLYOLEFIN  
 TWIN-AX SHIELD IS ALUMINIZED POLYESTER FOIL.  
 JACKET - PVC RED  
 PCB - FR4



- PRODUCT TO PERFORM PER  
 PRODUCT SPECIFICATION: PS-79536-001.
- PRODUCT MATES TO 75783 (RIGHT ANGLE) AND  
 75784 (VERTICAL) SERIES.
- THIS PRODUCT CONFORMS TO THE MECHANICAL  
 DIMENSIONING AND ELECTRICAL PERFORMANCE  
 REQUIREMENTS OF SFF-8087.
- MINIMUM RECOMMENDED BEND RADIUS 28 MM.
- PRODUCT IS RoHS COMPLIANT.
- LABEL INFO.  
 MOLEX  
 <<PART NUMBER>>  
 MADE IN CHINA  
 WW/YY

IPASS™ IS A TRADEMARK OF MOLEX.

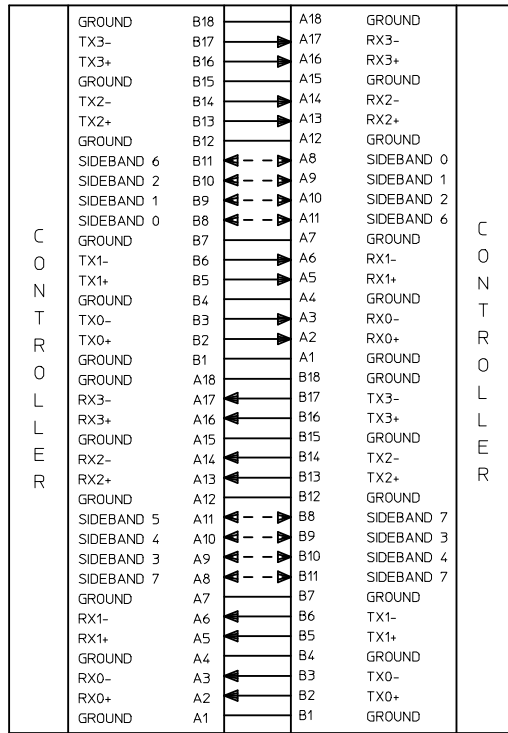
ENTER DESCRIPTION EC NO: USY2008-0220 DRAWN:PSY5MA 2007/11/14 CHKD:DDOYE 2007/11/15 APPR:DDOYE 2007/11/15 REV	QUALITY SYMBOLS ▽=0 ▽=0	GENERAL TOLERANCES (UNLESS SPECIFIED) mm INCH 4 PLACES ± --- ± --- 3 PLACES ± --- ± .010 2 PLACES ± 0.25 ± --- 1 PLACE ± REF ± --- ANGULAR ± 1/2°	DIMENSION STYLE MM/IN DRAWN BY DATE K.PHILLIPS 2005/12/27 CHECKED BY DATE T.HALL 2005/12/27 APPROVED BY DATE D.DOYE 2005/12/27	SCALE 1:1 DESIGN UNITS METRIC THIRD ANGLE PROJECTION
	DRAFT WHERE APPLICABLE MUST REMAIN WITHIN DIMENSIONS		MATERIAL NO. SEE TABLE	TITLE IPASS (MINI-SAS) RA INTERNAL CABLE 36 CKT 4X W/ SIDEBANDS MOLEX INCORPORATED
	THIS DRAWING CONTAINS INFORMATION THAT IS PROPRIETARY TO MOLEX INCORPORATED AND SHOULD NOT BE USED WITHOUT WRITTEN PERMISSION		DOCUMENT NO. SD-74573-210	SHEET NO. 1 OF 5
	SIZE B			



NOTE:  
 1. PINOUT CONFORMS TO SAS 1.1 9.0D SECTION 5.2.4.1.2.3  
 2. ALL SIGNAL GROUNDS ARE BUSSED IN PCB.

IPASS™ IS A TRADEMARK OF MOLEX

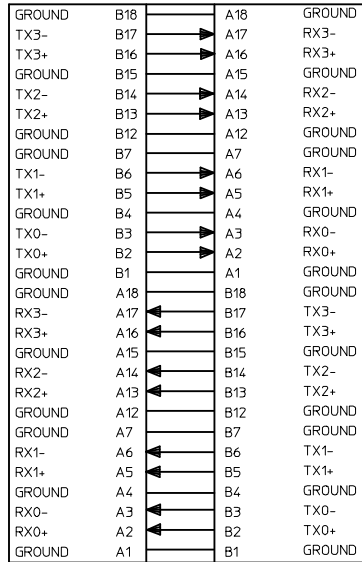
ENTER DESCRIPTION EC NO: USY2008-0220 IDR:WNPSTYSA 2007/11/14 CHKD:DDOYE 2007/11/15 APPR:DDOYE 2007/11/15 REV DESCRIPTION	QUALITY SYMBOLS	GENERAL TOLERANCES (UNLESS SPECIFIED)	DIMENSION STYLE	SCALE	DESIGN UNITS	THIRD ANGLE PROJECTION
	▽=0 ▽=0	mm INCH 4 PLACES ± --- ± --- 3 PLACES ± --- ± .010 2 PLACES ± 0.25 ± --- 1 PLACE ± REF ± --- ANGULAR ±1/2°	MM/IN	1:1	METRIC	
		DRAFT WHERE APPLICABLE MUST REMAIN WITHIN DIMENSIONS	DRAWN BY DATE K.PHILLIPS 2005/12/27 CHECKED BY DATE T.HALL 2005/12/27 APPROVED BY DATE D.DOYE 2005/12/27	TITLE IPASS (MINI-SAS) RA INTERNAL CABLE 36 CKT 4X W/ SIDEBANDS		
			MATERIAL NO. 9999999999 SIZE B	MOLEX INCORPORATED DOCUMENT NO. SD-74573-210	SHEET NO. 2 OF 5	



NOTE  
 1. FOR CONTROLLER TO CONTROLLER.  
 2. ALL SIGNAL GROUNDS ARE BUSSED IN PCB.

IPASS™ IS A TRADEMARK OF MOLEX

<b>ENTER DESCRIPTION</b> EC NO: USY2008-0220 DRW:WFSYTSMA 2007/11/14 CHKD:DDOYE 2007/11/15 APPR:DDOYE 2007/11/15	QUALITY SYMBOLS =0 =0.25	GENERAL TOLERANCES (UNLESS SPECIFIED)		DIMENSION STYLE <b>MM/IN</b>		SCALE <b>1:1</b>	DESIGN UNITS <b>METRIC</b>	THIRD ANGLE PROJECTION			
		4 PLACES ± --- ± ---	mm INCH	DRAWN BY K.PHILLIPS	DATE 2005/12/27	TITLE <b>IPASS (MINI-SAS) RA                  INTERNAL CABLE 36                  CKT 4X W/ SIDEBANDS</b>					
		3 PLACES ± --- ± .010		CHECKED BY T.HALL	DATE 2005/12/27	MOLEX INCORPORATED					
		2 PLACES ± 0.25 ± ---		APPROVED BY D.DOYE	DATE 2005/12/27	MATERIAL NO. <b>9999999999</b>	DOCUMENT NO. <b>SD-74573-210</b>	SHEET NO. <b>3 OF 5</b>			
		1 PLACE ± REF ± ---		ANGULAR ±1/2°		DRAFT WHERE APPLICABLE MUST REMAIN WITHIN DIMENSIONS					
				SIZE <b>B</b>		THIS DRAWING CONTAINS INFORMATION THAT IS PROPRIETARY TO MOLEX INCORPORATED AND SHOULD NOT BE USED WITHOUT WRITTEN PERMISSION					

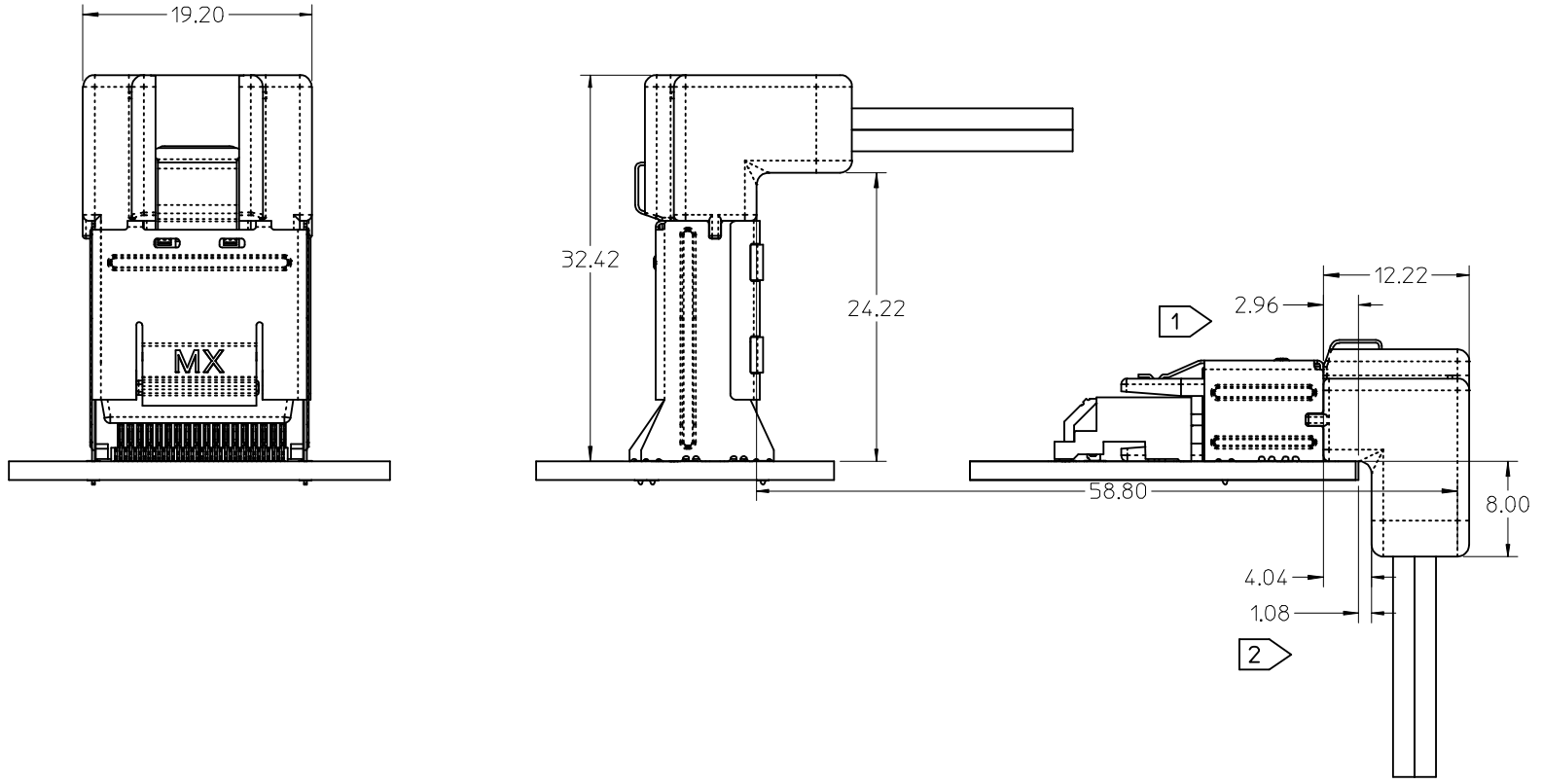


NOTE

1. FOR NO SIDE BANDS
2. ALL SIGNAL GROUNDS ARE BUSSED IN PCB.

IPASS™ IS A TRADEMARK OF MOLEX

<b>ENTER DESCRIPTION</b> EC NO: USY2008-0220 ITT DRW:WHPST/MA 2007/11/14 CHKD:DDOYE 2007/11/15 APPR:DDOYE 2007/11/15 REV DESCRIPTION	QUALITY SYMBOLS	GENERAL TOLERANCES (UNLESS SPECIFIED)	DIMENSION STYLE	SCALE	DESIGN UNITS	THIRD ANGLE PROJECTION	
	▽=0		MM/IN	1:1	METRIC		
	▽=0						
		4 PLACES ± --- ± ---	DRAWN BY DATE	TITLE IPASS (MINI-SAS) RA INTERNAL CABLE 36 CKT 4X W/ SIDEBANDS			
		3 PLACES ± --- ± .010	K.PHILLIPS 2005/12/27				
	2 PLACES ± 0.25 ± ---	CHECKED BY DATE	MOLEX INCORPORATED				
	1 PLACE ± REF ± ---	T.HALL 2005/12/27					
	ANGULAR ±1/2°	APPROVED BY DATE	DOCUMENT NO.				
		D.DOYE 2005/12/27					
	DRAFT WHERE APPLICABLE MUST REMAIN WITHIN DIMENSIONS	MATERIAL NO.	SHEET NO.				
		9999999999					
		SIZE B	THIS DRAWING CONTAINS INFORMATION THAT IS PROPRIETARY TO MOLEX INCORPORATED AND SHOULD NOT BE USED WITHOUT WRITTEN PERMISSION				



APPLICATION ENVELOPE DIMENSION

- 1. RECOMMENED MAX DISTANCE HOOD TO EDGE OF PCB
- 2. RECOMMENDED MINIMUM DISTANCE OF PLUG TO PCB

ENTER DESCRIPTION EC NO: USY2008-0220 DR: MNPSTMA 2007/11/14 CHKD: DDOYE 2007/11/15 APPR: DDOYE 2007/11/15	QUALITY SYMBOLS ▽=0 ▽=0	GENERAL TOLERANCES (UNLESS SPECIFIED)		DIMENSION STYLE MM/IN	SCALE 1:1	DESIGN UNITS METRIC	THIRD ANGLE PROJECTION		
		4 PLACES ± --- ± ---	mm INCH	DRAWN BY K.PHILLIPS	DATE 2005/12/27	TITLE IPASS (MINI-SAS) RA INTERNAL CABLE 36 CKT 4X W/ SIDEBANDS			
		3 PLACES ± --- ± .010		CHECKED BY T.HALL	DATE 2005/12/27				
		2 PLACES ± 0.25 ± ---		APPROVED BY D.DOYE	DATE 2005/12/27	MOLEX INCORPORATED			
1 PLACE ± REF ± ---		MATERIAL NO. SEE TABLE		DOCUMENT NO. SD-74573-210	SHEET NO. 5 OF 5				
DRAFT WHERE APPLICABLE MUST REMAIN WITHIN DIMENSIONS		ANGULAR ± 1/2°		THIS DRAWING CONTAINS INFORMATION THAT IS PROPRIETARY TO MOLEX INCORPORATED AND SHOULD NOT BE USED WITHOUT WRITTEN PERMISSION					