



Chipsmall Limited consists of a professional team with an average of over 10 year of expertise in the distribution of electronic components. Based in Hongkong, we have already established firm and mutual-benefit business relationships with customers from,Europe,America and south Asia,supplying obsolete and hard-to-find components to meet their specific needs.

With the principle of “Quality Parts,Customers Priority,Honest Operation,and Considerate Service”,our business mainly focus on the distribution of electronic components. Line cards we deal with include Microchip,ALPS,ROHM,Xilinx,Pulse,ON,Everlight and Freescale. Main products comprise IC,Modules,Potentiometer,IC Socket,Relay,Connector.Our parts cover such applications as commercial,industrial, and automotives areas.

We are looking forward to setting up business relationship with you and hope to provide you with the best service and solution. Let us make a better world for our industry!



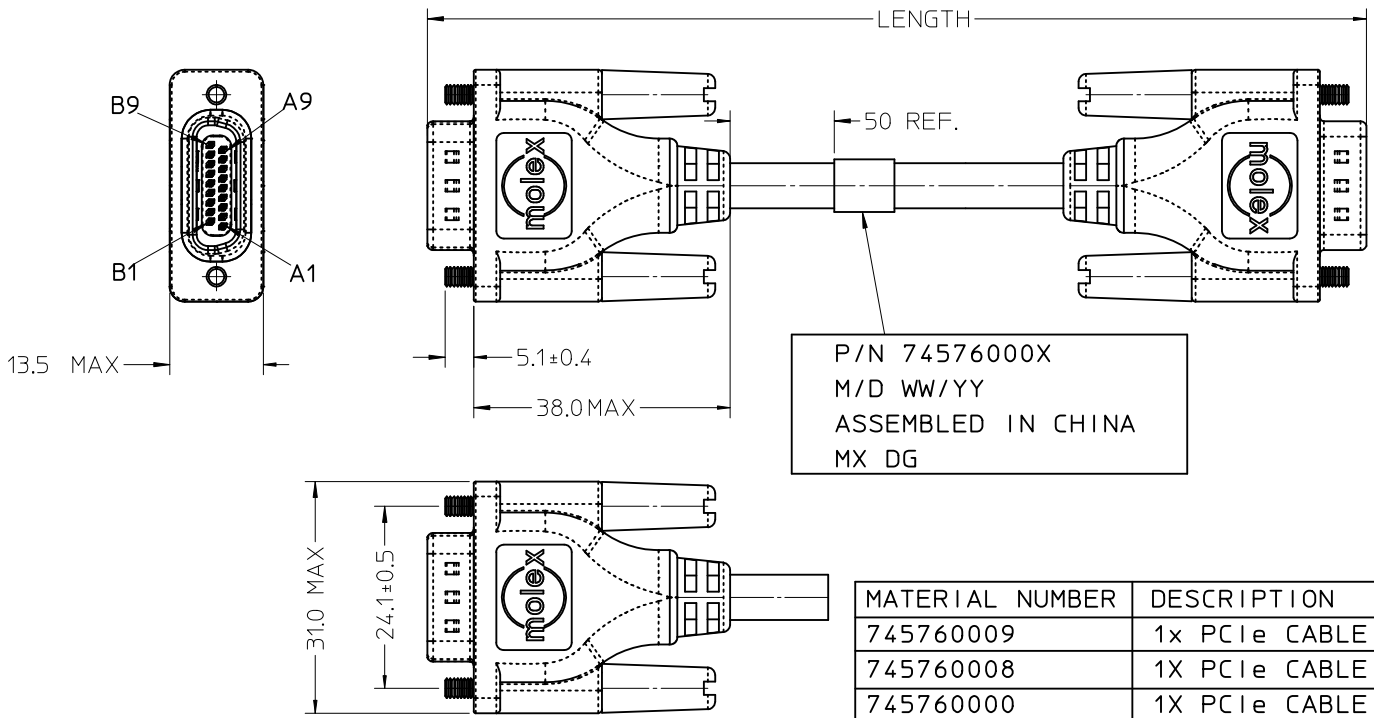
## Contact us

Tel: +86-755-8981 8866 Fax: +86-755-8427 6832

Email & Skype: info@chipsmall.com Web: www.chipsmall.com

Address: A1208, Overseas Decoration Building, #122 Zhenhua RD., Futian, Shenzhen, China



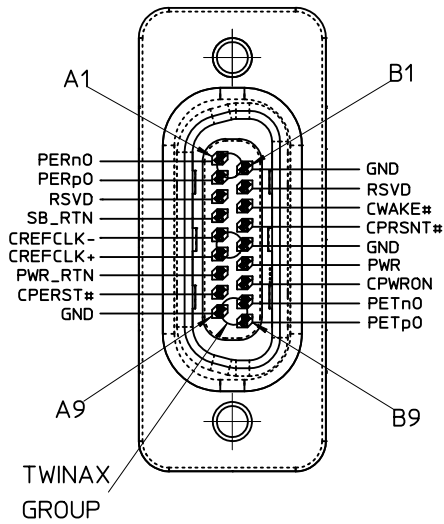
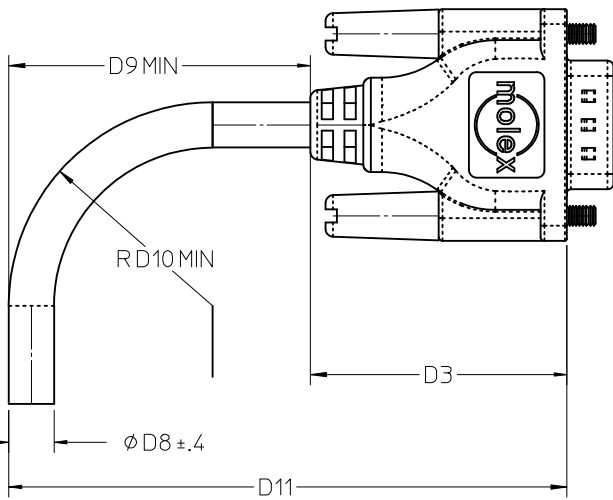


P/N 74576000X  
M/D WW/YY  
ASSEMBLED IN CHINA  
MX DG

MATERIAL NUMBER	DESCRIPTION	GAUGE	LENGTH(M)	TOL.
745760009	1x PCIe CABLE ASSEMBLY	28	0.30M	±0.025
745760008	1X PCIe CABLE ASSEMBLY	28	0.18M	±0.025
745760000	1X PCIe CABLE ASSEMBLY	28	0.5M	±0.025
745760001	1X PCIe CABLE ASSEMBLY	28	1M	±0.050
745760002	1X PCIe CABLE ASSEMBLY	28	2M	±0.100
745760003	1X PCIe CABLE ASSEMBLY	28	3M	±0.100
745760004	1X PCIe CABLE ASSEMBLY	28	4M	±0.100
745760005	1X PCIe CABLE ASSEMBLY	26	5M	±0.150
745760006	1X PCIe CABLE ASSEMBLY	26	6M	±0.150
745760007	1X PCIe CABLE ASSEMBLY	24	7M	±0.150

- NOTES:
- INNER MOLDED WITH 887800008.  
OUTER MOLED WITH BLACK 887800019
  - THIS PRODUCT MEETS THE RESTRICTION OF HAZARDOUS SUBSTANCES IN ELECTRICAL AND ELECTRONIC EQUIPMENT (RoHS) DIRECTIVE (2002/95/EC).
  - WW/YY DATE CODE:  
WW-WEEK NUMBER  
YY-LAST TWO NUMBER OF THE YEAR
  - THE SHARP OF PRODUCTION FOR REFER TO.
  - THE MOLD SHARP JUST FOR REFER TO.

ADD 745760008/9 EC NO: CPG2012-1684 DRWN:ZYU 2012/05/31 CHKD:SALLY CUI 2012/05/31 APPR:CLAN01 2012/05/31	QUALITY SYMBOLS $\nabla_F = 0$ $\nabla_E = 0$ $\nabla_P = 0$	GENERAL TOLERANCES (UNLESS SPECIFIED)		DIMENSION STYLE MM ONLY		SCALE ---	DESIGN UNITS METRIC	THIRD ANGLE PROJECTION	
			mm	INCH	DRAWN BY K.PHILLIPS	DATE 2005/12/21	TITLE 1X PCIe CABLE ASSEMBLY		
		4 PLACES ± --- ± --- 3 PLACES ± --- ± .020 2 PLACES ± 0.5 ± --- 1 PLACE ± --- ± --- 0 PLACE ± --- ± ---			CHECKED BY T.HALL	DATE 2005/12/21	APPROVED BY D.DOYE		
		ANGULAR ± 1°	DRAFT WHERE APPLICABLE MUST REMAIN WITHIN DIMENSIONS		MATERIAL NO. SEE CHART	DOCUMENT NO. SD-74576-000	SHEET NO. 1 OF 2		
			THIS DRAWING CONTAINS INFORMATION THAT IS PROPRIETARY TO MOLEX INCORPORATED AND SHOULD NOT BE USED WITHOUT WRITTEN PERMISSION						



SIGNAL DESC	PIN#		PIN#	SIGNAL DESC
PERn0	A1	← - - -	B8	PETn0
PERp0	A2	← - - -	B9	PRTp0
RSVD	A3	NC	A3	RSVD
SB_RTN	A4	- - - - -	A4	SB_RTN
CREFCLK-	A5	← - - - →	A5	CREFCLK-
CREFCLK+	A6	← - - - →	A6	CREFCLK+
PWR_RTN	A7	NC	A7	PWR_RTN
CPERST#	A8	- - - - -	A8	CPERST#
GND	A9	- - - - -	B1	GND
GND	B1	- - - - -	A9	GND
RSVD	B2	NC	B2	RSVD
CWAKE#	B3	- - - - -	B3	CWAKE#
CPRSNT#	B4	- - - - -	B4	CPRSNT#
GND	B5	- - - - -	B5	GND
PWR	B6	NC	B6	PWR
CPWRON	B7	- - - - -	B7	CPWRON
PETn0	B8	- - - - →	A1	PERn0
PETp0	B9	- - - - →	A2	PERp0

AWG	24	26	TOLERANCE
D8	6.5	5.80	±0.4
D10	29.25	26.10	MIN
D9	35.6	32.45	MIN
D3	34.00	34.00	BASIC
D11	75.95	72.80	MIN

ADD 745760008/9 EC NO: CPG2012-1684 DRWN:ZYU 2012/05/31 CHKD:SALLY CUI 2012/05/31 APPR:CLAN01 2012/05/31 G	QUALITY SYMBOLS $F_{\Delta} = 0$ $F_{\sigma} = 0$ $F_{\beta} = 0$	GENERAL TOLERANCES (UNLESS SPECIFIED) mm INCH 4 PLACES ± --- ± --- 3 PLACES ± --- ± .020 2 PLACES ± 0.5 ± --- 1 PLACE ± --- ± --- 0 PLACE ± --- ± ---	DIMENSION STYLE MM ONLY DRAWN BY: K. PHILLIPS CHECKED BY: T. HALL APPROVED BY: D. DOYE DATE: 2005/12/21	SCALE - - -	DESIGN UNITS METRIC	THIRD ANGLE PROJECTION	TITLE 1X PCIE CABLE ASSEMBLY	
	ANGULAR ± 1 ° DRAFT WHERE APPLICABLE MUST REMAIN WITHIN DIMENSIONS	MATERIAL NO. SEE CHART	DOCUMENT NO. SD-74576-000	SHEET NO. 2 OF 2				
	THIS DRAWING CONTAINS INFORMATION THAT IS PROPRIETARY TO MOLEX INCORPORATED AND SHOULD NOT BE USED WITHOUT WRITTEN PERMISSION				molex			