



Chipsmall Limited consists of a professional team with an average of over 10 year of expertise in the distribution of electronic components. Based in Hongkong, we have already established firm and mutual-benefit business relationships with customers from,Europe,America and south Asia,supplying obsolete and hard-to-find components to meet their specific needs.

With the principle of “Quality Parts,Customers Priority,Honest Operation,and Considerate Service”,our business mainly focus on the distribution of electronic components. Line cards we deal with include Microchip,ALPS,ROHM,Xilinx,Pulse,ON,Everlight and Freescale. Main products comprise IC,Modules,Potentiometer,IC Socket,Relay,Connector.Our parts cover such applications as commercial,industrial, and automotives areas.

We are looking forward to setting up business relationship with you and hope to provide you with the best service and solution. Let us make a better world for our industry!



Contact us

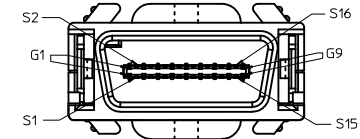
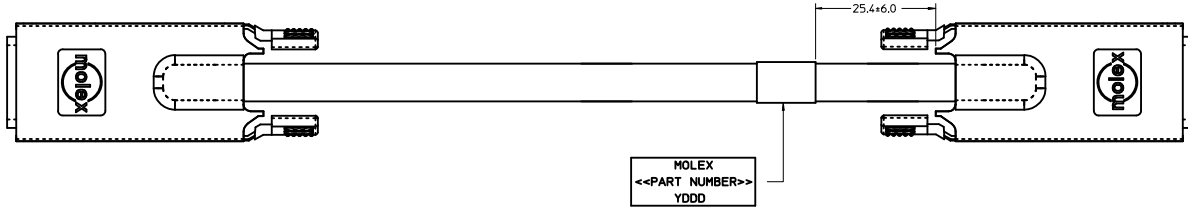
Tel: +86-755-8981 8866 Fax: +86-755-8427 6832

Email & Skype: info@chipsmall.com Web: www.chipsmall.com

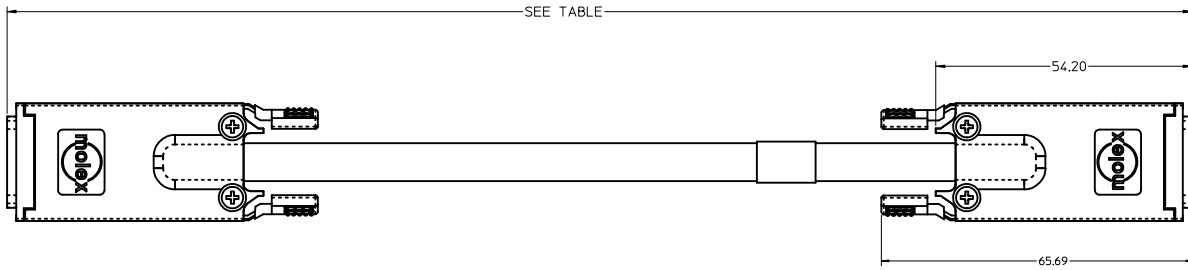
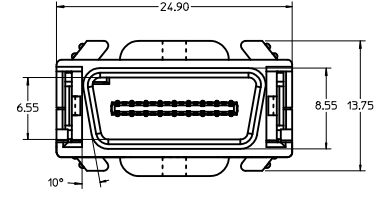
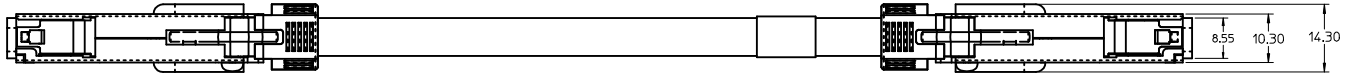
Address: A1208, Overseas Decoration Building, #122 Zhenhua RD., Futian, Shenzhen, China



20 19 18 17 16 15 14 13 12 11 10 9 8 7 6 5 4 3 2 1



SCALE 4:1



MOLEX P/N	DESCRIPTION	LENGTH(M)	AWG
745951005	4X DDR 1B CABLE ASSEMBLY	0.5M	28
745951010	4X DDR 1B CABLE ASSEMBLY	1M	28
745951020	4X DDR 1B CABLE ASSEMBLY	2M	28
745951030	4X DDR 1B CABLE ASSEMBLY	3M	28
745951050	4X DDR 1B CABLE ASSEMBLY	5M	28
745951060	4X DDR 1B CABLE ASSEMBLY	6M	24
745951070	4X DDR 1B CABLE ASSEMBLY	7M	24
745951080	4X DDR 1B CABLE ASSEMBLY	8M	24
745951100	4X DDR 1B CABLE ASSEMBLY	10M	24
745951120	4X DDR 1B CABLE ASSEMBLY	12M	24

- NOTES
- MATERIAL
HOUSINGS - ZINC NO.3 ALLOY DIE CAST
SURFACE FINISH NICKEL PLATING
LATCHES - STAINLESS STEEL
 - MEETS INFINIBAND SPECIFICATIONS FOR 4X1B, DDR
 - CABLE ASSEMBLY MEETS WEEE AND RoHS
(2002/95/EC) DIRECTIVES.
 - CABLE ASSEMBLIES MEETS UL 94V0, PER UL FILE E72548 VOL. 1.

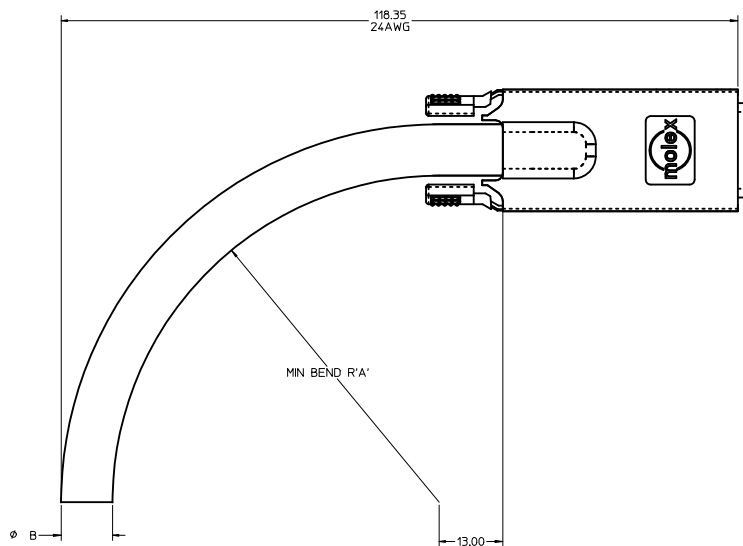
REVISED: CBL AWG
 ECN NO: US/2011-0008
 DRAWN BY: JERWIN 2006/12/13
 CHECKED BY: KPHAM 2006/12/13
 APPROVED BY: DDOYE 2006/12/13
 DESCRIPTION: DDR INFINIBAND 4X PLUG TO PLUG

QUALITY SYMBOLS	GENERAL TOLERANCES (UNLESS SPECIFIED)
▽=0	mm INCH
▽=0.25	4 PLACES ±--- ±---
▽=0.125	3 PLACES ±--- ±---
▽=0.0625	2 PLACES ±0.25 ±---
▽=0.03125	1 PLACE ±0.25 ±---
	ANGULAR ±1/2°

DIMENSION STYLE MM ONLY	SCALE 2:1	DESIGN UNITS METRIC	THIRD ANGLE PROJECTION
DRAWN BY JERWIN	DATE 2006/12/13	TITLE DDR INFINIBAND 4X PLUG TO PLUG	
CHECKED BY KPHAM	DATE 2006/12/13	MATERIAL NO. SD-74595-100	
APPROVED BY DDOYE	DATE 2006/12/13	DOCUMENT NO. SD-74595-100	
DRAFT WHERE APPLICABLE MUST REMAIN WITHIN DIMENSIONS			SHEET NO. 1 OF 2

19 18 17 16 15 14 13 12 11 10 9 8 7 6 5 4 3 2 1

20 19 18 17 16 15 14 13 12 11 10 9 8 7 6 5 4 3 2 1



CABLE	A	B
24 AWG	46.9	10.40
26 AWG	41.7	9.30
28 AWG	37.7	8.40

WIRING DIAGRAM			
PLUG 1		PLUG 2	
PIN #	SIGNAL	PIN #	SIGNAL
G1-G9	Signal Gnd	G1-G9	Signal Gnd
S1	Rx0+	S16	Tx0+
S2	Rx0-	S15	Tx0-
S3	Rx1+	S14	Tx1+
S4	Rx1-	S13	Tx1-
S5	Rx2+	S12	Tx2+
S6	Rx2-	S11	Tx2-
S7	Rx3+	S10	Tx3+
S8	Rx3-	S9	Tx3-
S9	Tx3-	S8	Rx3-
S10	Tx3+	S7	Rx3+
S11	Tx2-	S6	Rx2-
S12	Tx2+	S5	Rx2+
S13	Tx1-	S4	Rx1-
S14	Tx1+	S3	Rx1+
S15	Tx0-	S2	Rx0-
S16	Tx0+	S1	Rx0+

REVISED CBL AWG IEC NO. USY2011-0008 DRAWN: JERWIN 2007/12/13 CHECKED: CHYKOBSCHESTER 2010/07/15 APPR: DDOYE 2010/08/09	QUALITY SYMBOLS	GENERAL TOLERANCES (UNLESS SPECIFIED)	DIMENSION STYLE	SCALE	DESIGN UNITS	THIRD ANGLE PROJECTION
	$\nabla=0$ $\nabla=0$	mm INCH	MM ONLY	2:1	METRIC	
		4 PLACES ±0.25 3 PLACES ±0.25 2 PLACES ±0.25 1 PLACE ±0.25 ANGULAR ±1/2°	DRAWN BY: JERWIN CHECKED BY: KPHAM APPROVED BY: DDOYE DATE: 2006/12/13	TITLE	DDR INFINIBAND 4X PLUG TO PLUG	
	DRAFT WHERE APPLICABLE MUST REMAIN WITHIN DIMENSIONS	MATERIAL NO. SEE TABLE DOCUMENT NO. SD-74595-100	MOLEX INCORPORATED		SHEET NO.	2 OF 2

19 18 17 16 15 14 13 12 11 10 9 8 7 6 5 4 3 2 1