



Chipsmall Limited consists of a professional team with an average of over 10 year of expertise in the distribution of electronic components. Based in Hongkong, we have already established firm and mutual-benefit business relationships with customers from,Europe,America and south Asia,supplying obsolete and hard-to-find components to meet their specific needs.

With the principle of “Quality Parts,Customers Priority,Honest Operation,and Considerate Service”,our business mainly focus on the distribution of electronic components. Line cards we deal with include Microchip,ALPS,ROHM,Xilinx,Pulse,ON,Everlight and Freescale. Main products comprise IC,Modules,Potentiometer,IC Socket,Relay,Connector.Our parts cover such applications as commercial,industrial, and automotives areas.

We are looking forward to setting up business relationship with you and hope to provide you with the best service and solution. Let us make a better world for our industry!



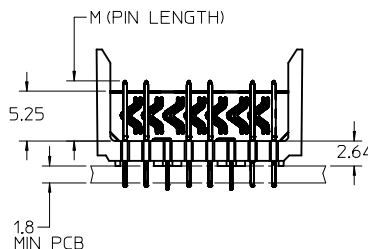
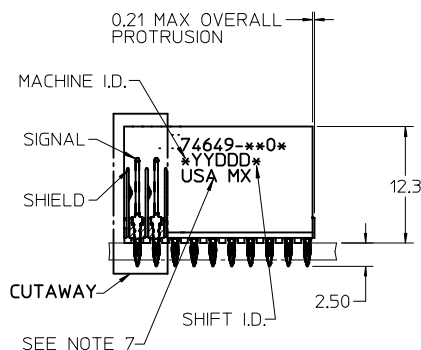
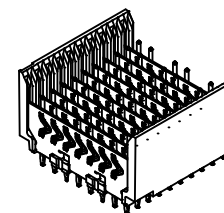
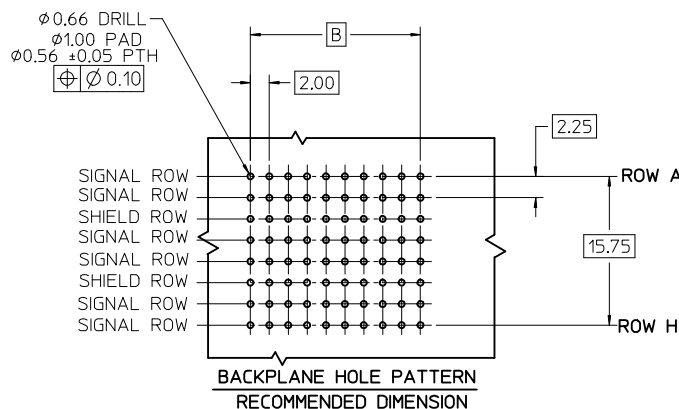
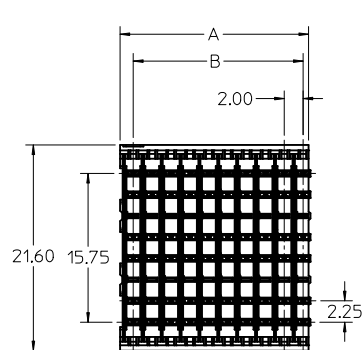
Contact us

Tel: +86-755-8981 8866 Fax: +86-755-8427 6832

Email & Skype: info@chipsmall.com Web: www.chipsmall.com

Address: A1208, Overseas Decoration Building, #122 Zhenhua RD., Futian, Shenzhen, China





NOTES:

- MATERIAL:
 HOUSING -LIQUID CRYSTAL POLYMER (LCP),
 GLASS-FILLED, UL 94V-0, COLOR BLACK.
 SIGNAL PIN & SHIELD -HIGH PERFORMANCE COPPER ALLOY.
- FINISHES:
 CONTACT AREA: SELECTIVE GOLD (Au)
 PCB TAILS: SELECTIVE MATTE TIN (Sn)
 NICKEL (Ni) OVERALL.
- THIS PART CONFORMS TO MOLEX PRODUCT SPECIFICATION PS-74031-999.
- FOR MIXED CONTACT MATING LENGTHS CONSULT MOLEX FOR AVAILABILITY.
- FOR SPECIFIC PART NUMBERS AND MATING INFORMATION REFER TO SHEET 2.
- PACKAGE PER PK-74060-003.
- EITHER MARK PART NUMBER AND DATE CODE APPROXIMATELY WHERE SHOWN OR PLACE LABEL ON THE TUBE.
- MAPS (MOLEX ADVANCED PLATING SYSTEM).

UPDATE TABLE EC NO: UCP2014-3396 TIDRWINSVANG01 2014/02/14 CHKD:MWLF 2014/02/14 APPR:SMILLER 2014/02/25 REV	QUALITY SYMBOLS 	GENERAL TOLERANCES (UNLESS SPECIFIED) <table border="1"> <tr> <th></th> <th>mm</th> <th>INCH</th> </tr> <tr> <td>4 PLACES</td> <td>± 0.25</td> <td>± 0.010</td> </tr> <tr> <td>3 PLACES</td> <td>± 0.25</td> <td>± 0.010</td> </tr> <tr> <td>2 PLACES</td> <td>± 0.25</td> <td>± 0.010</td> </tr> <tr> <td>1 PLACE</td> <td>± 0.38</td> <td>± 0.015</td> </tr> <tr> <td>0 PLACE</td> <td>± 0.25</td> <td>± 0.010</td> </tr> </table>		mm	INCH	4 PLACES	± 0.25	± 0.010	3 PLACES	± 0.25	± 0.010	2 PLACES	± 0.25	± 0.010	1 PLACE	± 0.38	± 0.015	0 PLACE	± 0.25	± 0.010	DIMENSION STYLE MM ONLY DRAWN BY DATE MOWANG 2001/01/22 CHECKED BY DATE JLAURX 2001/01/23 APPROVED BY DATE CBI XLER 2001/01/24	SCALE 2.5:1 DESIGN UNITS METRIC THIRD ANGLE PROJECTION	TITLE HSD SALES ASSEMBLY 8 ROW OPEN END BACKPLANE molex	MATERIAL NO. SEE SHEET 2 DOCUMENT NO. SD-74649-002 SHEET NO. 1 OF 2
		mm	INCH																					
	4 PLACES	± 0.25	± 0.010																					
	3 PLACES	± 0.25	± 0.010																					
2 PLACES	± 0.25	± 0.010																						
1 PLACE	± 0.38	± 0.015																						
0 PLACE	± 0.25	± 0.010																						
ANGULAR ±1/2° DRAFT WHERE APPLICABLE MUST REMAIN WITHIN DIMENSIONS		SIZE C	THIS DRAWING CONTAINS INFORMATION THAT IS PROPRIETARY TO MOLEX. INCORPORATED AND SHOULD NOT BE USED WITHOUT WRITTEN PERMISSION																					

MATERIAL NUMBER ASSIGNMENT

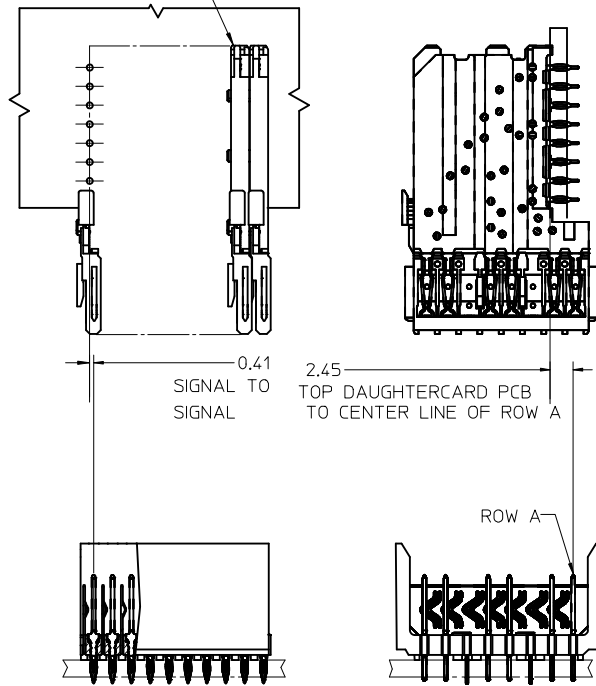
74649-**0*

- 10 = 10 COLUMN MATTE TIN (FORMERLY TIN/LEAD)
- 25 = 25 COLUMN MATTE TIN (FORMERLY TIN/LEAD)
- 60 = 10 COLUMN MATTE TIN (MAPS)
- 75 = 25 COLUMN MATTE TIN (MAPS)
- 90 = 10 COLUMN MATTE TIN
- 85 = 25 COLUMN MATTE TIN

PIN HEIGHT / PLATING
 1-4 = 0.25 or 0.76 GOLD
 6-9 = 1.27 GOLD

- 1 & 6 = 4.75
- 2 & 7 = 6.25
- 3 & 8 = 4.25
- 4 & 9 = 5.15

DAUGHTERCARD
CONNECTOR SIDE



PART NUMBER	COLUMN	NUMBER OF SIGNAL PIN	NUMBER OF SHIELD	A	B	M	GOLD THICKNESS MICROMETER	TIN THICKNESS MICROMETER
74649-6001	10	60	10	20.00	18.00	4.75	0.25 MAPS	0.76-152
74649-*001							0.76	
74649-*006							1.27	
74649-7501	25	150	25	50.00	48.00	6.25	0.25 MAPS	
74649-*501							0.76	
74649-*506							1.27	
74649-6002	10	60	10	20.00	18.00	4.25	0.25 MAPS	
74649-*002							0.76	
74649-*007							1.27	
74649-7502	25	150	25	50.00	48.00	5.15	0.25 MAPS	
74649-*502							0.76	
74649-*507							1.27	
74649-6003	10	60	10	20.00	18.00	4.75	0.25 MAPS	
74649-*003							0.76	
74649-*008							1.27	
74649-7503	25	150	25	50.00	48.00	6.25	0.25 MAPS	
74649-*503							0.76	
74649-*508							1.27	
74649-6004	10	60	10	20.00	18.00	4.25	0.25 MAPS	
74649-*004							0.76	
74649-*009							1.27	
74649-7504	25	150	25	50.00	48.00	5.15	0.25 MAPS	
74649-*504							0.76	
74649-*509							1.27	

SEE SHEET 1 EC NO: UCP2014-3396 DRWNS:YANG01 2014/02/14 CHKD:WOLFE 2014/02/14 APPR:SMILLER 2014/02/25	QUALITY SYMBOLS ▽=0 ▽=0 ▽=0	GENERAL TOLERANCES (UNLESS SPECIFIED) mm INCH 4 PLACES ± --- ± --- 3 PLACES ± --- ± --- 2 PLACES ± 0.25 ± --- 1 PLACE ± 0.38 ± --- 0 PLACE ± ± ANGULAR ±1/2° DRAFT WHERE APPLICABLE MUST REMAIN WITHIN DIMENSIONS	DIMENSION STYLE MM ONLY DRAWN BY DATE MQWANG 2001/01/22 CHECKED BY DATE JLAURX 2001/01/23 APPROVED BY DATE CBIXLER 2001/01/24	SCALE 2.5:1 DESIGN UNITS METRIC THIRD ANGLE PROJECTION	TITLE HSD SALES ASSEMBLY 8 ROW OPEN END BACKPLANE molex DOCUMENT NO. SD-74649-002	SHEET NO. 2 OF 2	
							MATERIAL NO. SEE TABLE
							THIS DRAWING CONTAINS INFORMATION THAT IS PROPRIETARY TO MOLEX INCORPORATED AND SHOULD NOT BE USED WITHOUT WRITTEN PERMISSION
							SIZE C