



Chipsmall Limited consists of a professional team with an average of over 10 year of expertise in the distribution of electronic components. Based in Hongkong, we have already established firm and mutual-benefit business relationships with customers from,Europe,America and south Asia,supplying obsolete and hard-to-find components to meet their specific needs.

With the principle of “Quality Parts,Customers Priority,Honest Operation,and Considerate Service”,our business mainly focus on the distribution of electronic components. Line cards we deal with include Microchip,ALPS,ROHM,Xilinx,Pulse,ON,Everlight and Freescale. Main products comprise IC,Modules,Potentiometer,IC Socket,Relay,Connector.Our parts cover such applications as commercial,industrial, and automotives areas.

We are looking forward to setting up business relationship with you and hope to provide you with the best service and solution. Let us make a better world for our industry!



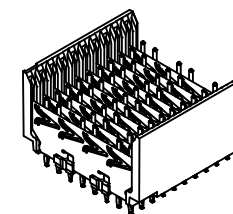
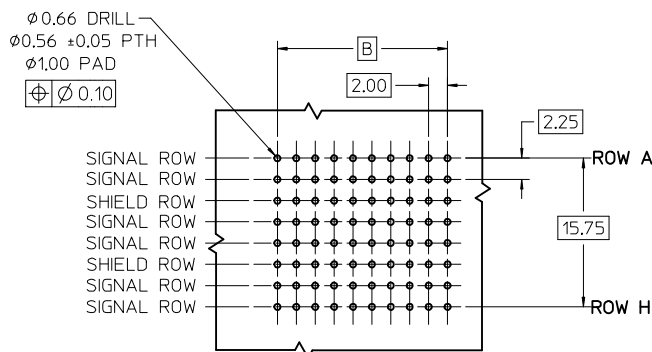
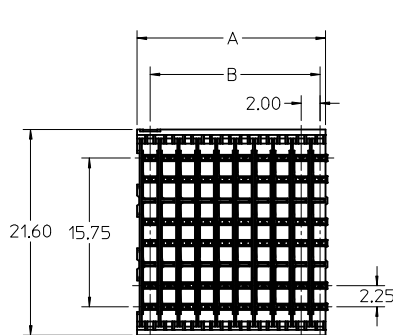
## Contact us

Tel: +86-755-8981 8866 Fax: +86-755-8427 6832

Email & Skype: info@chipsmall.com Web: www.chipsmall.com

Address: A1208, Overseas Decoration Building, #122 Zhenhua RD., Futian, Shenzhen, China

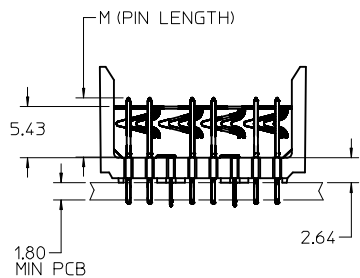
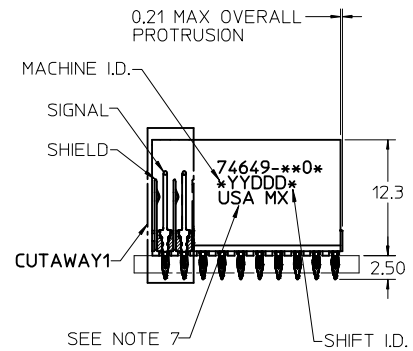




**BACKPLANE HOLE PATTERN  
RECOMMENDED DIMENSION**

**NOTES:**

1. MATERIAL:  
HOUSING -LIQUID CRYSTAL POLYMER (LCP), GLASS-FILLED. UL 94V-0. COLOR BLACK. SIGNAL PIN & SHIELD -HIGH PERFORMANCE COPPER ALLOY.
2. FINISHES:  
CONTACT AREA: SELECTIVE GOLD (Au)  
PCB TAILS: SELECTIVE MATTE TIN (Sn)  
NICKEL (Ni) OVERALL.
3. THIS PART CONFORMS TO MOLEX PRODUCT SPECIFICATION PS-74031-999.
4. FOR MIXED CONTACT MATING LENGTHS CONSULT MOLEX FOR AVAILABILITY.
5. FOR SPECIFIC PART NUMBERS AND MATING INFORMATION REFER TO SHEET 2.
6. PACKAGE PER PK-74060-003.
7. EITHER MARK PART NUMBER AND DATE CODE APPROXIMATELY WHERE SHOWN OR PLACE LABEL ON THE TUBE.
8. MAPS (MOLEX ADVANCED PLATING SYSTEM).



<b>UPDATE TABLE</b> EC NO: UCP2014-3396 IDRWNSVANG01 2014/02/14 CHKD:MWOLFE 2014/02/14 APPR:SMILLER 2014/02/25	DESCRIPTION REV QUALITY SYMBOLS $\nabla = 0$ $\nabla = 0$ $\nabla = 0$	GENERAL TOLERANCES (UNLESS SPECIFIED)		DIMENSION STYLE <b>MM ONLY</b>		SCALE <b>2.5:1</b>	DESIGN UNITS <b>METRIC</b>	THIRD ANGLE PROJECTION		
				DRAWN BY MOWANG	DATE 2001/05/21	TITLE <b>HSD SALES ASSEMBLY 8 ROW ADVANCED MATE OPEN END BACKPLANE</b>				
				CHECKED BY JLAURX	DATE 2001/05/25	APPROVED BY CBIXLER		DATE 2001/05/25		
				MATERIAL NO. <b>SEE SHEET 2</b>		DOCUMENT NO. <b>SD-74649-003</b>		SHEET NO. <b>1 OF 2</b>		
		DRAFT WHERE APPLICABLE MUST REMAIN WITHIN DIMENSIONS		SIZE <b>C</b>		THIS DRAWING CONTAINS INFORMATION THAT IS PROPRIETARY TO MOLEX INCORPORATED AND SHOULD NOT BE USED WITHOUT WRITTEN PERMISSION				

MATERIAL NUMBER ASSIGNMENT

74649-\*\*\*0\*

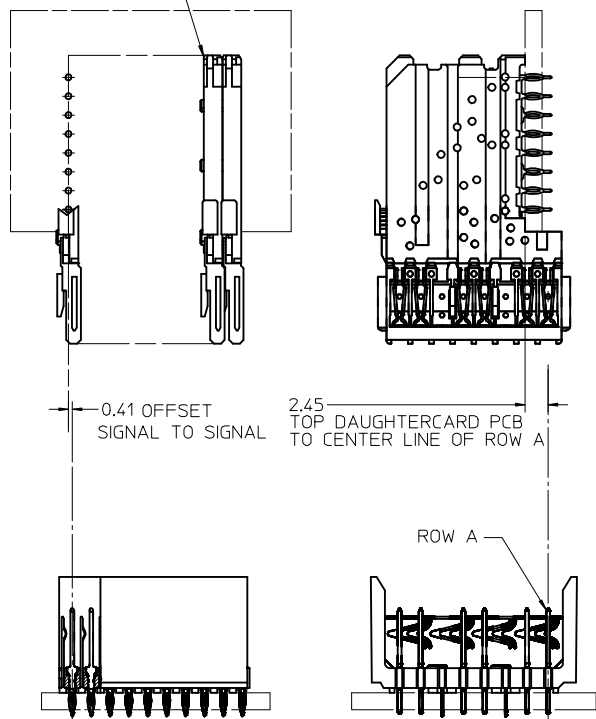
- 11 = 10 COLUMN MATTE TIN (FORMERLY TIN/LEAD)
- 26 = 25 COLUMN MATTE TIN (FORMERLY TIN/LEAD)
- 61 = 10 COLUMN MATTE TIN (MAPS)
- 76 = 25 COLUMN MATTE TIN (MAPS)
- 91 = 10 COLUMN MATTE TIN
- 86 = 25 COLUMN MATTE TIN

PIN HEIGHT / PLATING

- 1-4 = 0.25 or 0.76 GOLD
- 6-9 = 1.27 GOLD

- 1 & 6 = 4.75
- 2 & 7 = 6.25
- 3 & 8 = 4.25
- 4 & 9 = 5.15

DAUGHTERCARD  
CONNECTOR SIDE



PART NUMBER	COLUMN	NUMBER OF SIGNAL PIN	NUMBER OF SHIELD	A	B	M	GOLD THICKNESS MICROMETER	TIN THICKNESS MICROMETER
<b>74649-6101</b>	10	60	10	20.00	18.00	4.75	0.25 MAPS	0.76-1.52
74649-*101							0.76	
74649-*106							1.27	
<b>74649-7601</b>	25	150	25	50.00	48.00	4.75	0.25 MAPS	
74649-*601							0.76	
74649-*606							1.27	
<b>74649-6102</b>	10	60	10	20.00	18.00	6.25	0.25 MAPS	
74649-*102							0.76	
74649-*107							1.27	
<b>74649-7602</b>	25	150	25	50.00	48.00	6.25	0.25 MAPS	
74649-*602							0.76	
74649-*607							1.27	
<b>74649-6103</b>	10	60	10	20.00	18.00	4.25	0.25 MAPS	
74649-*103							0.76	
74649-*108							1.27	
<b>74649-7603</b>	25	150	25	50.00	48.00	4.25	0.25 MAPS	
74649-*603							0.76	
74649-*608							1.27	
<b>74649-6104</b>	10	60	10	20.00	18.00	5.15	0.25 MAPS	
74649-*104							0.76	
74649-*109							1.27	
<b>74649-7604</b>	25	150	25	50.00	48.00	5.15	0.25 MAPS	
74649-*604							0.76	
74649-*609							1.27	

SEE SHEET 1 EC NO: UCP2014-3396 DRAWN BY: MOWANG CHECKED BY: JL AURX APPROVED BY: CB I XLER DATE: 2014/02/14 DATE: 2014/02/14 DATE: 2014/02/25	QUALITY SYMBOLS ∇=0 ∇=0 ∇=0	GENERAL TOLERANCES (UNLESS SPECIFIED) mm INCH 4 PLACES ± --- ± --- 3 PLACES ± --- ± --- 2 PLACES ± 0.25 ± --- 1 PLACE ± 0.38 ± --- 0 PLACE ± ± ANGULAR ±1/2° DRAFT WHERE APPLICABLE MUST REMAIN WITHIN DIMENSIONS	DIMENSION STYLE <b>MM ONLY</b>	SCALE <b>2.5:1</b>	DESIGN UNITS <b>METRIC</b>	THIRD ANGLE PROJECTION
			DRAWN BY DATE MOWANG 2001/05/21	TITLE <b>HSD SALES ASSEMBLY 8 ROW ADVANCED MATE OPEN END BACKPLANE</b>		
			CHECKED BY DATE JL AURX 2001/05/25	APPROVED BY DATE CB I XLER 2001/05/25		
			MATERIAL NO. <b>SEE TABLE</b>	DOCUMENT NO. <b>SD-74649-003</b>		
THIS DRAWING CONTAINS INFORMATION THAT IS PROPRIETARY TO MOLEX INCORPORATED AND SHOULD NOT BE USED WITHOUT WRITTEN PERMISSION						SHEET NO. <b>2 OF 2</b>