



Chipsmall Limited consists of a professional team with an average of over 10 year of expertise in the distribution of electronic components. Based in Hongkong, we have already established firm and mutual-benefit business relationships with customers from,Europe,America and south Asia,supplying obsolete and hard-to-find components to meet their specific needs.

With the principle of "Quality Parts,Customers Priority,Honest Operation,and Considerate Service",our business mainly focus on the distribution of electronic components. Line cards we deal with include Microchip,ALPS,ROHM,Xilinx,Pulse,ON,Everlight and Freescale. Main products comprise IC,Modules,Potentiometer,IC Socket,Relay,Connector.Our parts cover such applications as commercial,industrial, and automotives areas.

We are looking forward to setting up business relationship with you and hope to provide you with the best service and solution. Let us make a better world for our industry!



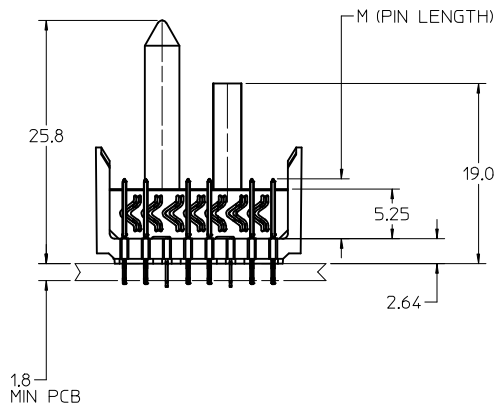
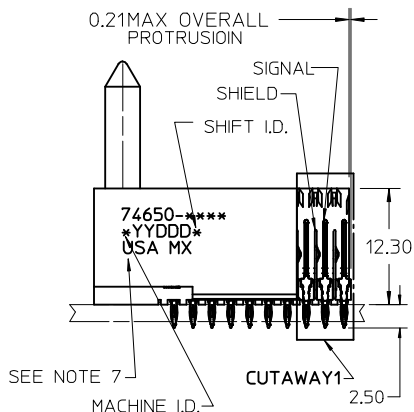
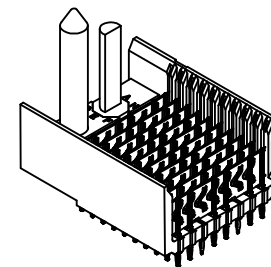
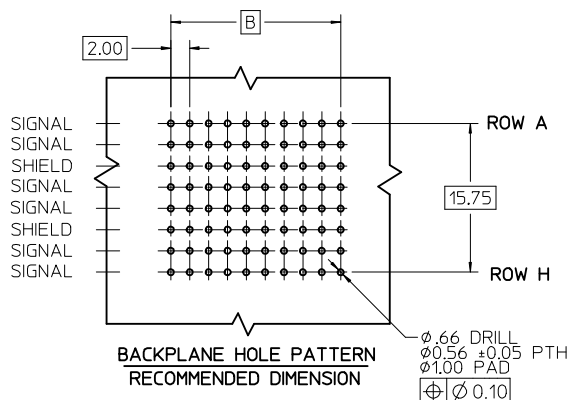
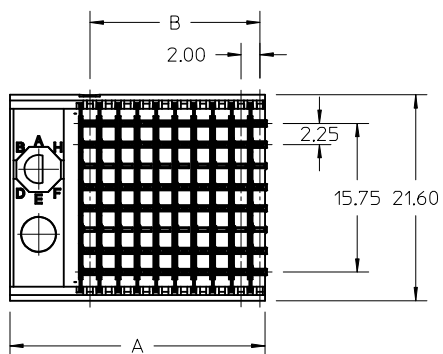
## Contact us

Tel: +86-755-8981 8866 Fax: +86-755-8427 6832

Email & Skype: info@chipsmall.com Web: www.chipsmall.com

Address: A1208, Overseas Decoration Building, #122 Zhenhua RD., Futian, Shenzhen, China



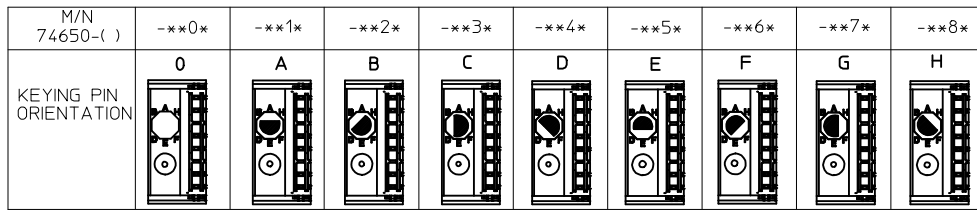


NOTES:

1. MATERIAL: HOUSING -LIQUID CRYSTAL POLYMER (LCP) GLASS-FILLED. UL 94-0. COLOR BLACK. SIGNAL & SHIELD -HIGH PERFORMANCE COPPER ALLOY.
2. FINISHES:  
CONTACT AREA: SELECTIVE GOLD (Au)  
PCB TAILS: SELECTIVE MATTE TIN (Sn)  
NICKEL (Ni) OVERALL.
3. THIS PART CONFORMS TO MOLEX PRODUCT SPECIFICATION PS-74031-999.
4. FOR MIXED CONTACT MATING LENGTHS CONSULT MOLEX FOR AVAILABILITY.
5. FOR SPECIFIC PART NUMBER AND MATING INFORMATION REFER TO SHEET 2.
6. PACKAGE PER PK-74061-003.
7. MARK PART NUMBER AND DATE CODE APPROXIMATELY WHERE SHOWN
8. MAPS (MOLEX ADVANCED PLATING SYSTEM).

THE PRIMARY CARTON WITH A LABEL STATING "ELV AND RoHS COMPLIANT" IS LEAD FREE. CARTONS WITHOUT THIS LABEL MAY CONTAIN LEAD.

<b>LEAD FREE CONVERSION</b> EC NO: UCP2013-0687 DRAWINGS: 2012/08/24 CHKD:MWLF 2012/11/26 APPR:SMILLER 2012/12/14 (REV)	QUALITY SYMBOLS	GENERAL TOLERANCES (UNLESS SPECIFIED)	DIMENSION STYLE	SCALE	DESIGN UNITS	THIRD ANGLE PROJECTION
	▽=0	mm INCH	MM ONLY	2.5:1	METRIC	
	▽=0	4 PLACES ± --- ± ---	DRAWN BY DATE	TITLE	DOCUMENT NO.	SHEET NO.
	▽=0	3 PLACES ± --- ± ---	MOWANG 2001/03/22			
▽=0	2 PLACES ± --- ± ---	CHECKED BY DATE	HSD SALES ASSEMBLY 8 ROW SIGNAL END BACKPLANE <b>molex</b>			
	1 PLACE ± --- ± ---	JLAURX 2001/03/27				
	0 PLACE ± ±	APPROVED BY DATE	SD-74650-002			
		CBIXLER 2001/03/27	1 OF 2			
ANGULAR ±1/2°		DRAFT WHERE APPLICABLE MUST REMAIN WITHIN DIMENSIONS		THIS DRAWING CONTAINS INFORMATION THAT IS PROPRIETARY TO MOLEX INCORPORATED AND SHOULD NOT BE USED WITHOUT WRITTEN PERMISSION		



74650-\*\*\*

NUMBER OF COLUMNS/  
PLATING

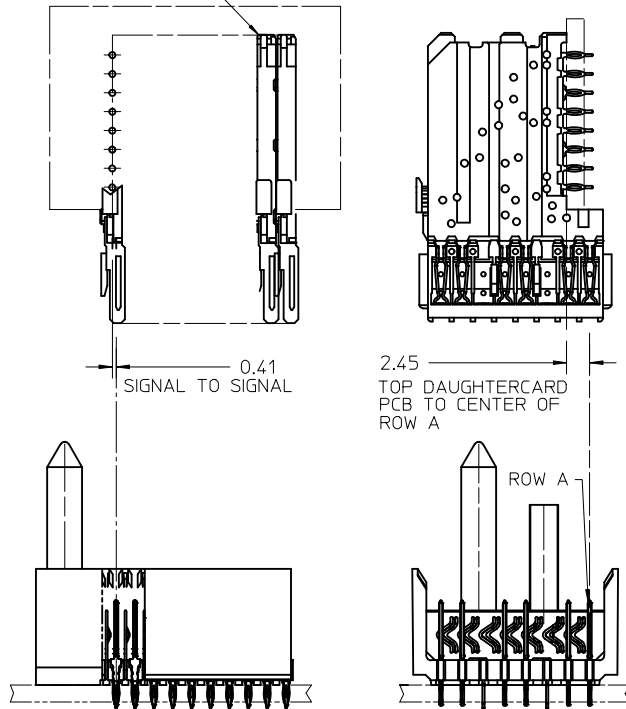
- 10=10 COLUMN MATTE TIN (FORMERLY TIN/LEAD)
- 25=25 COLUMN MATTE TIN (FORMERLY TIN/LEAD)
- 60=10 COLUMN MATTE TIN (MAPS)
- 75=25 COLUMN MATTE TIN (MAPS)
- 90=10 COLUMN MATTE TIN
- 85=25 COLUMN MATTE TIN

CONTACT LOAD  
(PIN LENGTH)

- 1 & 6 = 4,75
- 2 & 7 = 6,25
- 3 & 8 = 4,25
- 4 & 9 = 5,15

PART NUMBER	COLUMN	NUMBER OF SIGNAL PIN	NUMBER OF SHIELD	A	B	M	GOLD THICKNESS MICROMETER	TIN THICKNESS MICROMETER	
74650-60*1	10	60	10	27.00	18.00	4.75	0.25 MAPS	0.76-1.52	
74650-*0*1							0.76		
74650-*0*6							1.27		
74650-75*1	25	150	25	57.00	48.00		0.25 MAPS		
74650-*5*1							0.76		
74650-*5*6							1.27		
74650-60*2	10	60	10	27.00	18.00	6.25	0.25 MAPS		
74650-*0*2							0.76		
74650-*0*7							1.27		
74650-75*2	25	150	25	57.00	48.00		4.25		0.25 MAPS
74650-*5*2									0.76
74650-*5*7									1.27
74650-60*3	10	60	10	27.00	18.00	5.15			0.25 MAPS
74650-*0*3									0.76
74650-*0*8									1.27
74650-75*3	25	150	25	57.00	48.00		4.25		0.25 MAPS
74650-*5*3									0.76
74650-*5*8									1.27
74650-60*4	10	60	10	27.00	18.00	4.25		0.25 MAPS	
74650-*0*4								0.76	
74650-*0*9								1.27	
74650-75*4	25	150	25	57.00	48.00		5.15	0.25 MAPS	
74650-*5*4								0.76	
74650-*5*9								1.27	

DAUGHTERCARD CONNECTOR SIDE



<b>SEE SHEET 1</b> EC NO: UCP2013-0687 TIDRWNGES 2012/08/24 CHKD:MOLFE 2012/11/26 APPR:SMILLER 2012/12/14 REV:	QUALITY SYMBOLS	GENERAL TOLERANCES (UNLESS SPECIFIED)	DIMENSION STYLE <b>MM ONLY</b>	SCALE <b>2.5:1</b>	DESIGN UNITS <b>METRIC</b>	THIRD ANGLE PROJECTION																														
		<table border="1"> <tr> <th></th> <th>mm</th> <th>INCH</th> </tr> <tr> <td>4 PLACES</td> <td>± .005</td> <td>± .0002</td> </tr> <tr> <td>3 PLACES</td> <td>± .005</td> <td>± .0002</td> </tr> <tr> <td>2 PLACES</td> <td>± .005</td> <td>± .0002</td> </tr> <tr> <td>1 PLACE</td> <td>± .005</td> <td>± .0002</td> </tr> <tr> <td>0 PLACE</td> <td>±</td> <td>±</td> </tr> </table>		mm	INCH	4 PLACES	± .005	± .0002	3 PLACES	± .005	± .0002	2 PLACES	± .005	± .0002	1 PLACE	± .005	± .0002	0 PLACE	±	±	<table border="1"> <tr> <th>DRAWN BY</th> <th>DATE</th> </tr> <tr> <td>MOWANG</td> <td>2001/03/22</td> </tr> <tr> <th>CHECKED BY</th> <th>DATE</th> </tr> <tr> <td>JLAURX</td> <td>2001/03/27</td> </tr> <tr> <th>APPROVED BY</th> <th>DATE</th> </tr> <tr> <td>CBIXLER</td> <td>2001/03/27</td> </tr> </table>	DRAWN BY	DATE	MOWANG	2001/03/22	CHECKED BY	DATE	JLAURX	2001/03/27	APPROVED BY	DATE	CBIXLER	2001/03/27	<b>HSD SALES ASSEMBLY</b> <b>8 ROW SIGNAL END</b> <b>BACKPLANE</b> 		
		mm	INCH																																	
	4 PLACES	± .005	± .0002																																	
3 PLACES	± .005	± .0002																																		
2 PLACES	± .005	± .0002																																		
1 PLACE	± .005	± .0002																																		
0 PLACE	±	±																																		
DRAWN BY	DATE																																			
MOWANG	2001/03/22																																			
CHECKED BY	DATE																																			
JLAURX	2001/03/27																																			
APPROVED BY	DATE																																			
CBIXLER	2001/03/27																																			
ANGULAR ±1/2° DRAFT WHERE APPLICABLE MUST REMAIN WITHIN DIMENSIONS	MATERIAL NO. <b>SEE TABLE</b>	DOCUMENT NO. <b>SD-74650-002</b>	SHEET NO. <b>2 OF 2</b>																																	