



Chipsmall Limited consists of a professional team with an average of over 10 year of expertise in the distribution of electronic components. Based in Hongkong, we have already established firm and mutual-benefit business relationships with customers from,Europe,America and south Asia,supplying obsolete and hard-to-find components to meet their specific needs.

With the principle of "Quality Parts,Customers Priority,Honest Operation,and Considerate Service",our business mainly focus on the distribution of electronic components. Line cards we deal with include Microchip,ALPS,ROHM,Xilinx,Pulse,ON,Everlight and Freescale. Main products comprise IC,Modules,Potentiometer,IC Socket,Relay,Connector.Our parts cover such applications as commercial,industrial, and automotives areas.

We are looking forward to setting up business relationship with you and hope to provide you with the best service and solution. Let us make a better world for our industry!



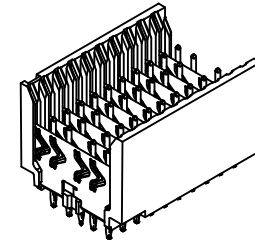
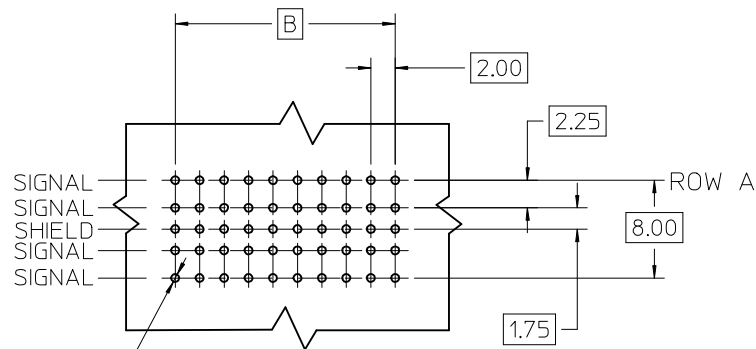
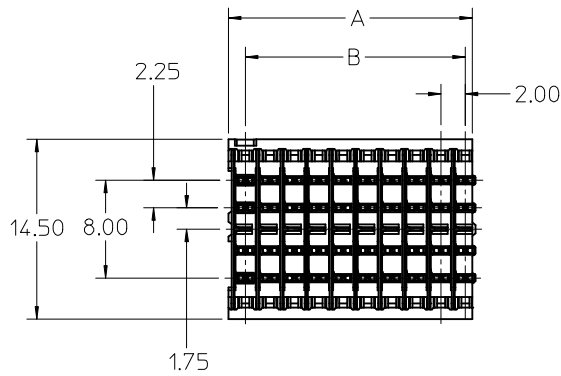
## Contact us

Tel: +86-755-8981 8866 Fax: +86-755-8427 6832

Email & Skype: info@chipsmall.com Web: www.chipsmall.com

Address: A1208, Overseas Decoration Building, #122 Zhenhua RD., Futian, Shenzhen, China



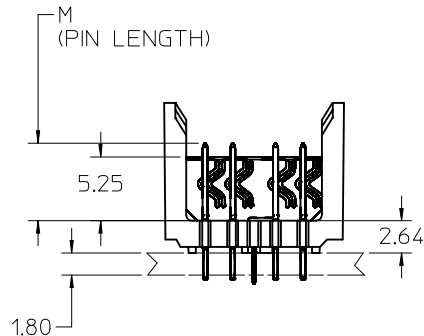
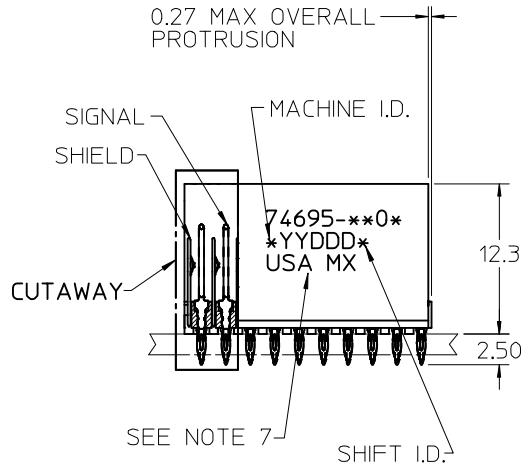


Ø0.66 DRILL  
 Ø0.56 ±0.05 PTH  
 Ø1.00 PAD

⊕ Ø0.10

**BACKPLANE HOLE PATTERN**  
 RECOMMENDED DIMENSION

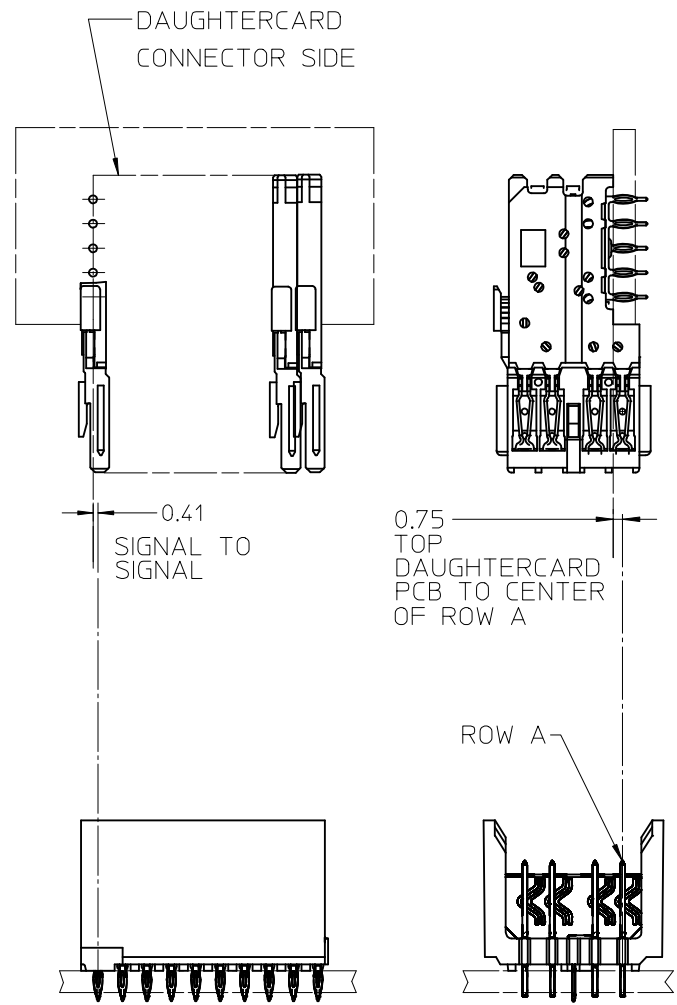
0.27 MAX OVERALL PROTRUSION



**NOTES:**

1. MATERIAL: HOUSING -LIQUID CRYSTAL POLYMER (LCP). GLASS-FILLED. UL 94 V-0. COLOR BLACK. SIGNAL & SHIELD -COPPER ALLOY.
2. FINISHES: SELECTIVE GOLD (Au) ON CONTACT AREA. SELECTIVE TIN/LEAD (Sn/Pb) OR SELECTIVE MATTE TIN (Sn) ON PCB TAILS. NICKEL (Ni) OVERALL.
3. THIS PART CONFORMS TO MOLEX PRODUCT SPECIFICATION PS-74031-999.
4. FOR MIXED CONTACT MATING LENGTHS CONSULT MOLEX FOR AVAILABILITY.
5. FOR SPECIFIC PART NUMBER AND MATING INFORMATION REFER TO SHEET 2.
6. PACKAGE PER PK-74695-003.
7. EITHER MARK PART NUMBER AND DATE CODE APPROXIMATELY WHERE SHOWN OR PLACE LABEL ON THE TUBE.

REVISED: ADD LEAD-FREE EC NO: UCP2006-1727 DRWN: CTHOMAS 2006/02/16 CHKD: JBINGHAM 2006/02/16 APPR: KYULVEY 2006/02/16	DESCRIPTION D	QUALITY SYMBOLS	GENERAL TOLERANCES (UNLESS SPECIFIED)	SCALE 2.5:1	DESIGN UNITS METRIC	THIRD ANGLE PROJECTION	REVISE ON CAD ONLY
		▽ -0 ∇ -0	mm      INCH 4 PLACES ± --- ± --- 3 PLACES ± --- ± --- 2 PLACES ± --- ± --- 1 PLACE ± --- ± ---	DIMENSION STYLE MM ONLY	TITLE HSD SALES ASSEMBLY 5 ROW OPEN END BACKPLANE		
		DRAFT WHERE APPLICABLE MUST REMAIN WITHIN DIMENSIONS	DRAWN BY: MQWANG      DATE: 2001/04/11 CHECKED BY: NMARTIN      DATE: 2001/04/14 APPROVED BY: CBIXLER      DATE: 2001/04/14	MATERIAL NO. SEE SHT.2&3 DOCUMENT NO. SD-74695-002 SHEET NO. 1 OF 3			
		THIS DRAWING CONTAINS INFORMATION THAT IS PROPRIETARY TO MOLEX INCORPORATED AND SHOULD NOT BE USED WITHOUT WRITTEN PERMISSION					



MATERIAL NUMBER ASSIGNMENT

74695-\*\*-\*\* SEE TABLES (SHEET 3)

- NUMBER OF COLUMNS/PLATING
- 10 = 10 COLUMN TIN/LEAD
- 12 = 12 COLUMN TIN/LEAD
- 15 = 15 COLUMN TIN/LEAD
- 25 = 25 COLUMN TIN/LEAD
- 90 = 10 COLUMN MATTE TIN
- 92 = 12 COLUMN MATTE TIN
- 95 = 15 COLUMN MATTE TIN
- 85 = 25 COLUMN MATTE TIN

REVISED: ADD LEAD-FREE EC NO: UCP2006-1727 DRWN:CTHOMAS 2006/02/16 CHKD:JBINGHAM 2006/02/16 APPR:KMYLVEY 2006/02/16	QUALITY SYMBOLS	GENERAL TOLERANCES (UNLESS SPECIFIED)		SCALE 2.5:1	DESIGN UNITS METRIC	THIRD ANGLE PROJECTION	REVISE ON CAD ONLY	
	▼ - 0 ∇ - 0		mm	INCH	DIMENSION STYLE MM ONLY		TITLE HSD SALES ASSEMBLY 5 ROW OPEN END BACKPLANE	
		4 PLACES	± ---	± ---	DRAWN BY MQWANG	DATE 2001/04/11	MOLEX INCORPORATED MATERIAL NO. SEE TABLES SD-74695-002	
		3 PLACES	± ---	± ---	CHECKED BY NMARTIN	DATE 2001/04/14		
		2 PLACES	± ---	± ---	APPROVED BY CBIXLER		DATE 2001/04/14	DOCUMENT NO. SD-74695-002
1 PLACE	± ---	± ---	ANGULAR ±1/2°		THIS DRAWING CONTAINS INFORMATION THAT IS PROPRIETARY TO MOLEX INCORPORATED AND SHOULD NOT BE USED WITHOUT WRITTEN PERMISSION			
		DRAFT WHERE APPLICABLE MUST REMAIN WITHIN DIMENSIONS						

PART NUMBER	COLUMN	NUMBER OF SIGNAL PINS	NUMBER OF SHIELDS	A	B	M	Au (um) THICKNESS	Sn/Pb (um)
74695-1001	10	40	10	20.00	18.00	4.75	0.76	0.76-1.52
74695-1006							1.27	
74695-1201	12	48	12	24.00	22.00		0.76	
74695-1206							1.27	
74695-2501	25	100	25	50.00	48.00	0.76		
74695-2506						1.27		
74695-1002	10	40	10	20.00	18.00	0.76	6.25	
74695-1007						1.27		
74695-1202	12	48	12	24.00	22.00	0.76		
74695-1207						1.27		
74695-2502	25	100	25	50.00	48.00	0.76		
74695-2507						1.27		
74695-1003	10	40	10	20.00	18.00	0.76	4.25	
74695-1008						1.27		
74695-1203	12	48	12	24.00	22.00	0.76		
74695-1208						1.27		
74695-2503	25	100	25	50.00	48.00	0.76		
74695-2508						1.27		
74695-1004	10	40	10	20.00	18.00	0.76	5.15	
74695-1009						1.27		
74695-1204	12	48	12	24.00	22.00	0.76		
74695-1209						1.27		
74695-2504	25	100	25	50.00	48.00	0.76		
74695-2509						1.27		

TIN/LEAD CHART

PART NUMBER	COLUMN	NUMBER OF SIGNAL PINS	NUMBER OF SHIELDS	A	B	M	Au (um) THICKNESS	Sn (um)
74695-9001	10	40	10	20.00	18.00	4.75	0.76	0.76-1.52
74695-9006							1.27	
74695-9501	12	48	12	24.00	22.00		0.76	
74695-9506							1.27	
74695-8501	25	100	25	50.00	48.00	0.76		
74695-8506						1.27		
74695-9002	10	40	10	20.00	18.00	0.76	6.25	
74695-9007						1.27		
74695-9502	12	48	12	24.00	22.00	0.76		
74695-9507						1.27		
74695-8502	25	100	25	50.00	48.00	0.76		
74695-8507						1.27		
74695-9003	10	40	10	20.00	18.00	0.76	4.25	
74695-9008						1.27		
74695-9503	12	48	12	24.00	22.00	0.76		
74695-9508						1.27		
74695-8503	25	100	25	50.00	48.00	0.76		
74695-8508						1.27		
74695-9004	10	40	10	20.00	18.00	0.76	5.15	
74695-9009						1.27		
74695-9504	12	48	12	24.00	22.00	0.76		
74695-9509						1.27		
74695-8504	25	100	25	50.00	48.00	0.76		
74695-8509						1.27		

LEAD FREE CHART

<b>ADDED SHEET: 3</b> EC NO: UCP2006-1727 DRWNG: THOMAS 2006/02/16 CHKD: JBI NGHAM 2006/02/16 APPR: KMULVEY 2006/02/16	QUALITY SYMBOLS 	GENERAL TOLERANCES (UNLESS SPECIFIED)		DIMENSION STYLE <b>MM ONLY</b>	SCALE <b>METRIC</b>	DESIGN UNITS <b>METRIC</b>	THIRD ANGLE PROJECTION		
		4 PLACES ± --- ± --- 3 PLACES ± --- ± --- 2 PLACES ± --- ± --- 1 PLACE ± --- ± ---	mm INCH ± --- ± --- ± --- ± --- ± --- ± --- ± --- ± ---	DRAWN BY MQWANG 2001/04/11	DATE 2001/04/11	TITLE <b>HSD SALES ASSEMBLY          5 ROW OPEN END          BACKPLANE</b>	<b>MOLEX INCORPORATED</b>		
		ANGULAR ±1/2°		CHECKED BY NMARTIN 2001/04/14	DATE 2001/04/14	DOCUMENT NO. <b>SD-74695-002</b>			
		DRAFT WHERE APPLICABLE MUST REMAIN WITHIN DIMENSIONS		APPROVED BY CBIXLER 2001/04/14		MATERIAL NO. <b>SEE TABLES</b>		SHEET NO. <b>3 OF 3</b>	

THIS DRAWING CONTAINS INFORMATION THAT IS PROPRIETARY TO MOLEX INCORPORATED AND SHOULD NOT BE USED WITHOUT WRITTEN PERMISSION