

Chipsmall Limited consists of a professional team with an average of over 10 year of expertise in the distribution of electronic components. Based in Hongkong, we have already established firm and mutual-benefit business relationships with customers from,Europe,America and south Asia,supplying obsolete and hard-to-find components to meet their specific needs.

With the principle of “Quality Parts,Customers Priority,Honest Operation,and Considerate Service”,our business mainly focus on the distribution of electronic components. Line cards we deal with include Microchip,ALPS,ROHM,Xilinx,Pulse,ON,Everlight and Freescale. Main products comprise IC,Modules,Potentiometer,IC Socket,Relay,Connector.Our parts cover such applications as commercial,industrial, and automotives areas.

We are looking forward to setting up business relationship with you and hope to provide you with the best service and solution. Let us make a better world for our industry!



## Contact us

Tel: +86-755-8981 8866 Fax: +86-755-8427 6832

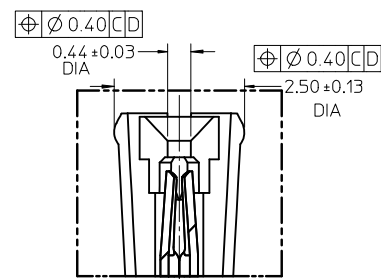
Email & Skype: info@chipsmall.com Web: www.chipsmall.com

Address: A1208, Overseas Decoration Building, #122 Zhenhua RD., Futian, Shenzhen, China

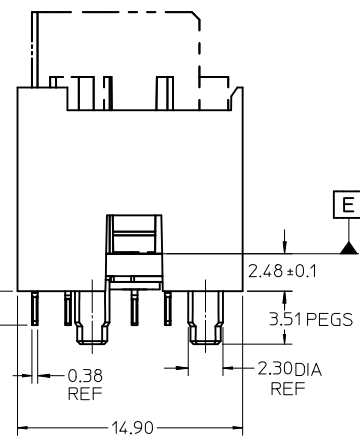
MATERIAL NO.	POSITION OF LOADED TERMINAL(S)	PACKAGING SPEC.
74712-4001	2, 5, 8, 11	PK-74712-001
74712-4002	2	
74712-4003	2, 5, 8, 11	PK-74712-002

NOTES:

- MATERIAL:
  - HOUSING: GLASS FILLED THERMO PLASTIC, 94V-0
  - INSULATOR: GLASS FILLED THERMO PLASTIC, 94V-0
  - PACKAGING HEADER: GLASS FILLED THERMO PLASTIC, 94V-0
  - TERMINALS AND GROUND: TIN BRASS
  - OUTER GROUND CONTACT: PHOSPHOR BRONZE
- PLATING:
  - TERMINALS:
    - SELECTIVE 0.76 MICRONS MIN. GOLD IN CONTACT AREA
    - SELECTIVE 0.88 MICRONS MIN. TIN BOTH OVER
    - 1.27 MICRONS MIN. NICKEL UNDERPLATE
  - GROUNDS:
    - 0.88 MICRONS MIN. TIN OVERALL OVER
    - 1.27 MICRONS MIN. NICKEL UNDERPLATE
  - OUTER GROUND CONTACT:
    - 0.76 MICRONS MIN. GOLD OVERALL OVER
    - 1.27 MICRONS MIN. NICKEL UNDERPLATE
- REFER TO PRODUCT SPEC.: PS-74854-001 FOR ELECTRICAL, MECHANICAL AND ENVIRONMENTAL REQUIREMENTS.
- REFER TO PACKAGING SPEC STATED IN CHARTS FOR DETAILS OF THE PACKAGING REQUIREMENTS.
- DATE CODE MARKING TO BE LOCATED ANYWHERE ON PLASTIC HOUSING. FIRST TWO DIGITS = WEEK NUMBER. LAST TWO DIGITS = YEAR.



SECTION Z Z  
SCALE 14:1



2.24 +0.35  
-0.20  
TAILS TYP.

0.38 REF.

3.51 PEGS

2.30 DIA REF.

2.48 ± 0.1

14.90

4.00

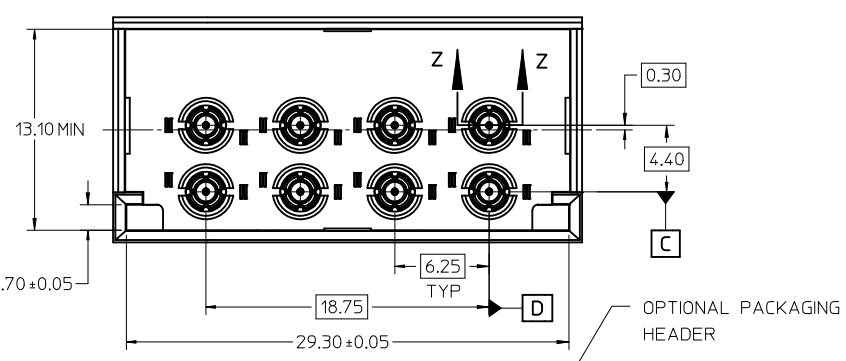
8.25 ± 0.13

18.48

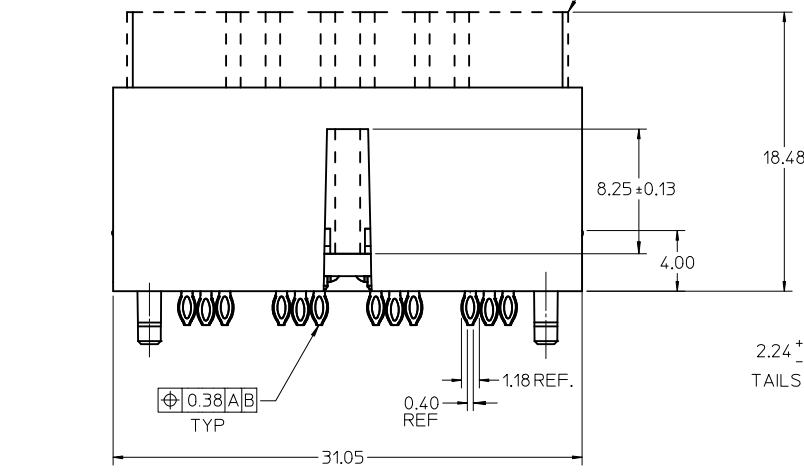
0.40 REF.

1.18 REF.

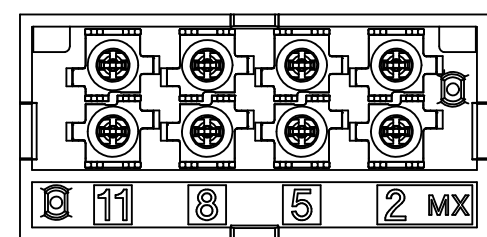
0.38 TYP.



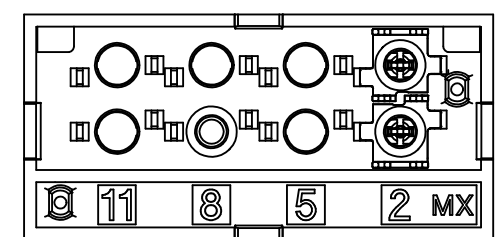
OPTIONAL PACKAGING  
HEADER



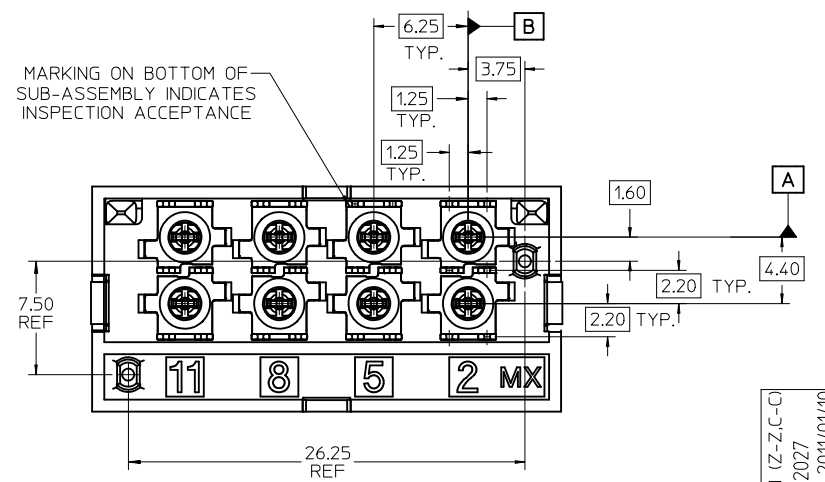
CONTACT LOADING OPTIONS FOR 8 POS CONNECTORS



MAT'L NO. 74712-4001/-4003  
POSITION 2, 5, 8 & 11 LOADED



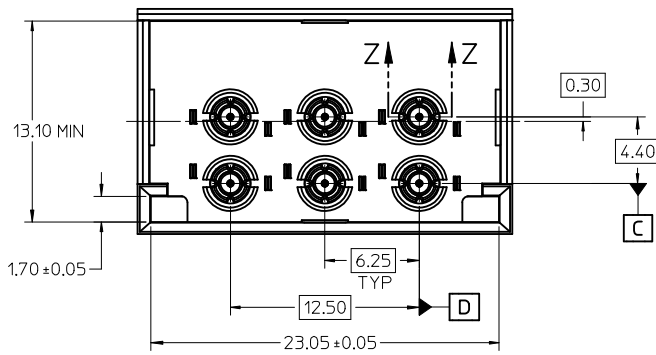
MAT'L NO. 74712-4002  
POSITION 2 LOADED



MARKING ON BOTTOM OF  
SUB-ASSEMBLY INDICATES  
INSPECTION ACCEPTANCE

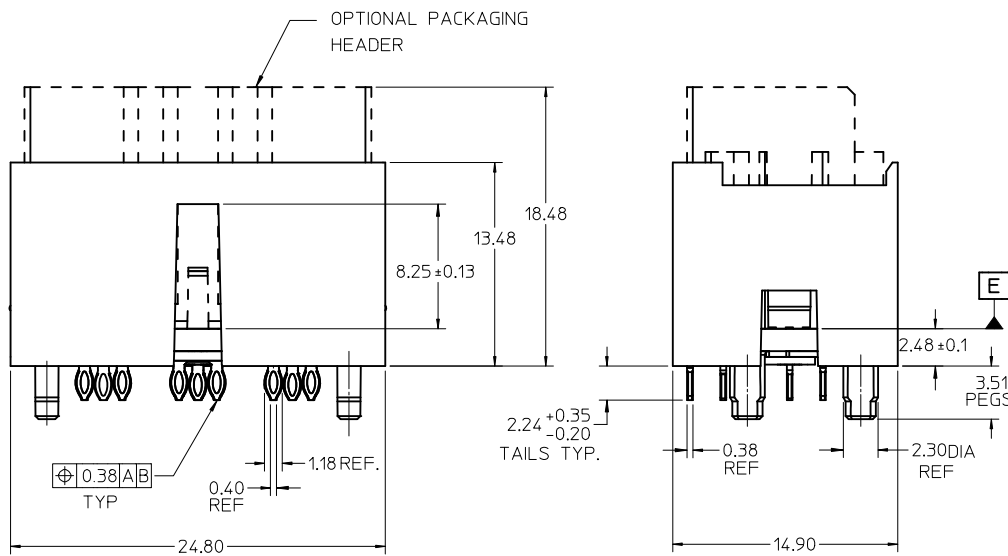
8 POS. CONNECTOR SHOWN

DIM. CORRECTION (Z-Z-C-C) IEC NO: UCP2011-2027 DRWN: JMENDOZA 2011/01/10 CHKD: JBINGHAM 2011/01/10 APPR: JBINGHAM 2011/01/11 D1	QUALITY SYMBOLS ▽ - 0 ▽ - 0 DRAFT WHERE APPLICABLE MUST REMAIN WITHIN DIMENSIONS	GENERAL TOLERANCES (UNLESS SPECIFIED) mm INCH		SCALE 4:1	DESIGN UNITS METRIC	THIRD ANGLE PROJECTION REVISIONS	REVISE ON CAD ONLY		
		4 PLACES ± --- ± --- 3 PLACES ± --- ± --- 2 PLACES ± --- ± --- 1 PLACE ± --- ± ---	DIMENSION STYLE MM ONLY		DRAWN BY DATE SREED 2006/06/06	CHECKED BY DATE JBINGHAM 2006/06/06	TITLE SALES DRAWING FOR VERTICAL GANGED RF CONNECTOR, SHORT TAILS		
		ANGULAR ± 2 °		APPROVED BY DATE SREED 2006/06/06	MATERIAL NO. SEE CHART	DOCUMENT NO. SD-74712-002	MOLEX INCORPORATED SHEET NO. 1 OF 5		
		THIS DRAWING CONTAINS INFORMATION THAT IS PROPRIETARY TO MOLEX INCORPORATED AND SHOULD NOT BE USED WITHOUT WRITTEN PERMISSION							



MATERIAL NO.	POSITION OF LOADED TERMINAL(S)	OPTIONAL PACKAGING HEADER	PACKAGING SPEC.
74712-5001	2, 5, 8	YES	PK-74712-101
74712-5002	2, 8	YES	
74712-5003	2	YES	
74712-5004	8	YES	PK-74712-102
74712-5005	2, 5, 8	YES	
74712-5006	2	YES	

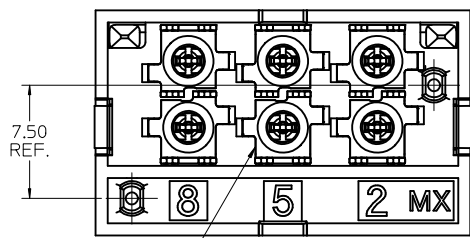
NOTE: REFER TO SHEET 1 FOR ALL DIMENSIONS, SECTION VIEW AND NOTES NOT SHOWN.



6 POS. CONNECTOR SHOWN

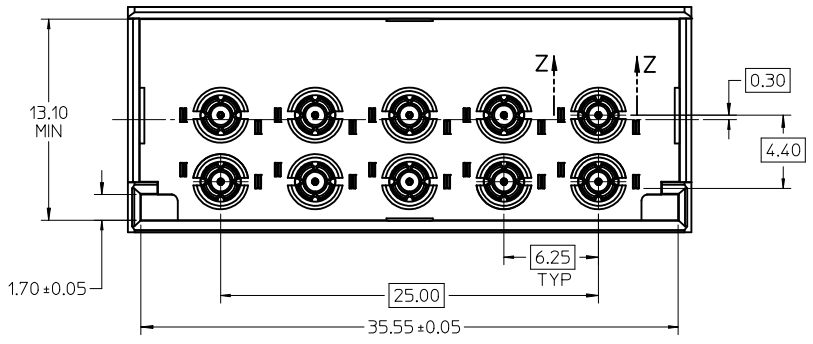
### CONTACT LOADING OPTIONS FOR 6 POS. CONNECTOR

<p>MATL NO.: 74712-5003/-5006 POSITION 2 LOADED ONLY</p>	<p>MATL NO.: 74712-5004 POSITION 8 LOADED ONLY</p>
<p>MATL NO.: 74712-5001/-5005 POSITIONS 2, 5 &amp; 8 LOADED</p>	<p>MATL NO.: 74712-5002 POSITIONS 2 &amp; 8 LOADED</p>



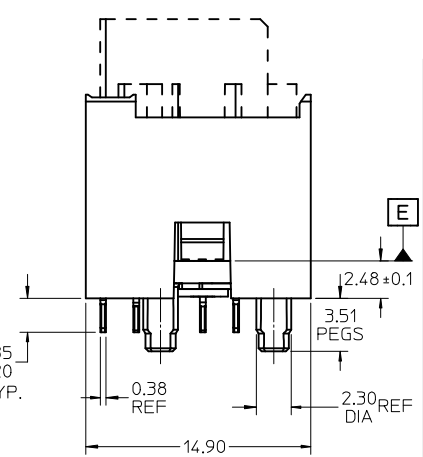
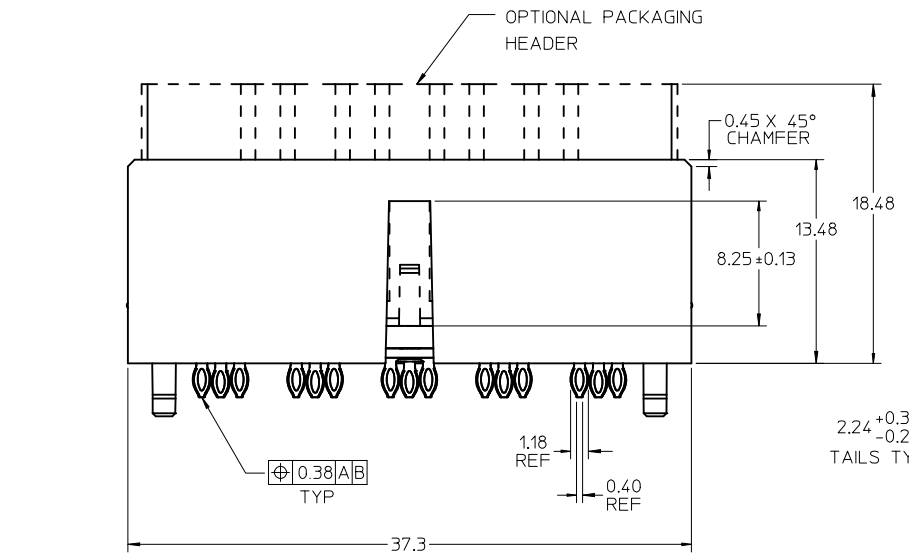
MARKING ON BOTTOM OF SUB-ASSEMBLY INDICATES INSPECTION ACCEPTANCE

SEE SHEET 1 EC NO: UCP2011-2027 DRWN: JMENDOZA 2011/01/10 CHKD: BINGHAM 2011/01/10 APPR: BINGHAM 2011/01/11	QUALITY SYMBOLS ▽ -0 ▽ -0	GENERAL TOLERANCES (UNLESS SPECIFIED) <table border="1" style="width: 100%; text-align: center;"> <thead> <tr> <th></th> <th>mm</th> <th>INCH</th> </tr> </thead> <tbody> <tr> <td>4 PLACES</td> <td>± ---</td> <td>± ---</td> </tr> <tr> <td>3 PLACES</td> <td>± ---</td> <td>± ---</td> </tr> <tr> <td>2 PLACES</td> <td>± ---</td> <td>± ---</td> </tr> <tr> <td>1 PLACE</td> <td>± ---</td> <td>± ---</td> </tr> </tbody> </table> ANGULAR ± 2 °		mm	INCH	4 PLACES	± ---	± ---	3 PLACES	± ---	± ---	2 PLACES	± ---	± ---	1 PLACE	± ---	± ---	SCALE 4:1 DESIGN UNITS METRIC DIMENSION STYLE MM ONLY	THIRD ANGLE PROJECTION REVISE ON CAD ONLY	TITLE SALES DRAWING FOR VERTICAL GANGED RF CONNECTOR, SHORT TAILS MOLEX INCORPORATED
		mm	INCH																	
	4 PLACES	± ---	± ---																	
	3 PLACES	± ---	± ---																	
2 PLACES	± ---	± ---																		
1 PLACE	± ---	± ---																		
DRAFT WHERE APPLICABLE	MUST REMAIN WITHIN DIMENSIONS	APPROVED BY DATE	DATE	MATERIAL NO.	DOCUMENT NO.															
D1	REV	SREED	2006/06/06	SEE CHART	SD-74712-002															
THIS DRAWING CONTAINS INFORMATION THAT IS PROPRIETARY TO MOLEX INCORPORATED AND SHOULD NOT BE USED WITHOUT WRITTEN PERMISSION																				

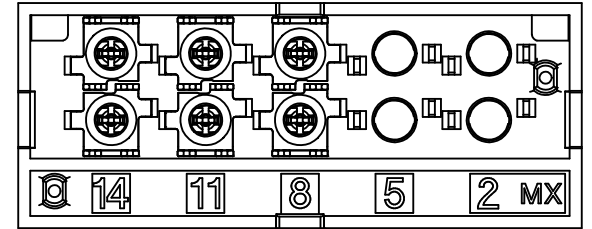


NOTE: REFER TO SHEET 1 FOR ALL DIMENSIONS, SECTION VIEW AND NOTES NOT SHOWN.

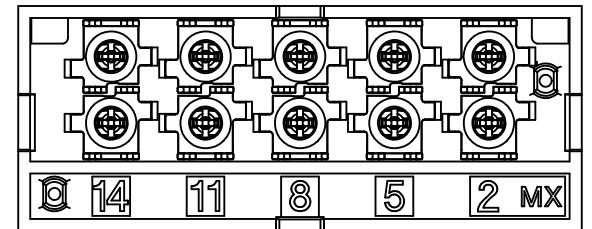
MATERIAL NO.	POSITION OF LOADED TERMINAL(S)	PACKAGING SPEC.
74712-6001	2, 5, 8, 11, 14	PK-74712-210
74712-6002	8, 11, 14	



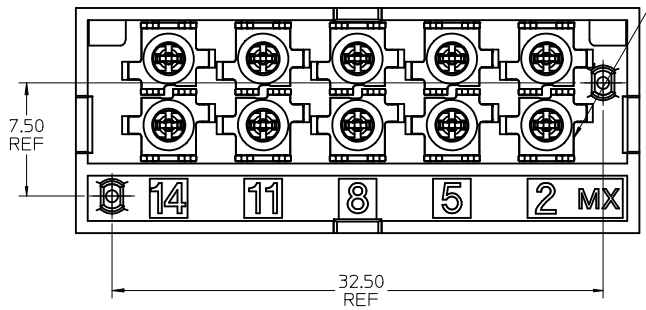
CONTACT LOADING OPTIONS FOR 10 POSITION CONNECTORS



MAT'L NO. 74712-6002  
POSITIONS 8, 11 & 14 LOADED



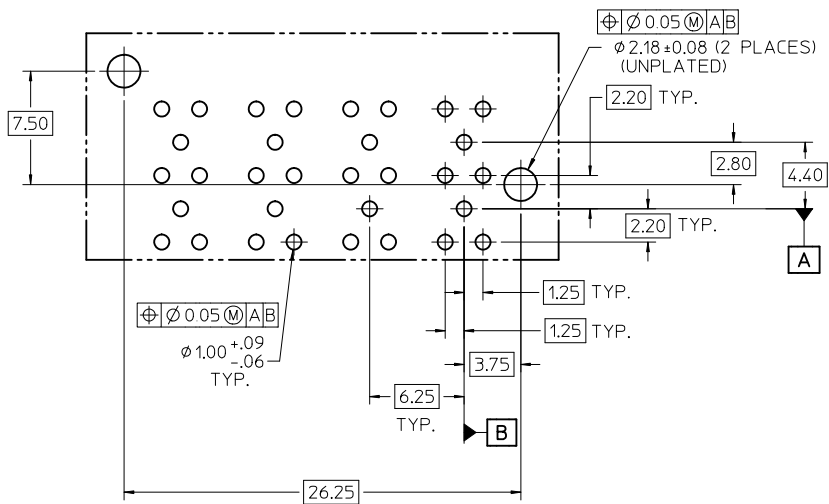
MAT'L NO. 74712-6001  
POSITIONS 2, 5, 8, 11 & 14 LOADED



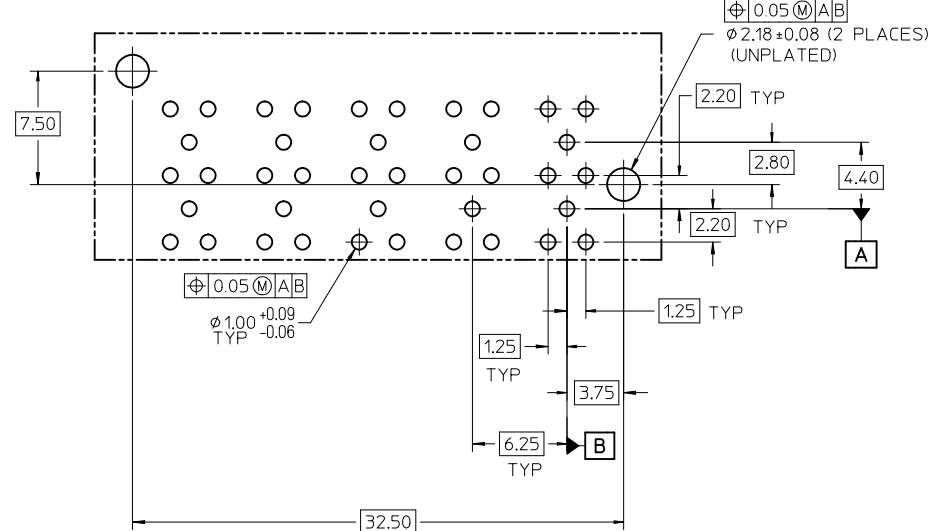
MARKING ON BOTTOM OF SUB-ASSEMBLY INDICATES INSPECTION ACCEPTANCE

10 POSITION CONNECTOR SHOWN

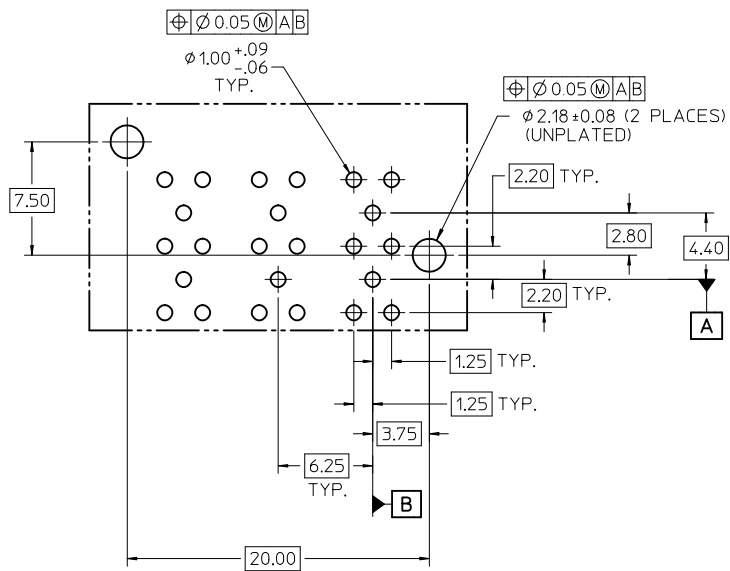
SEE SHEET 1 EC NO: UCP2011-2027 DRWN: JMENDOZA 2011/01/10 CHKD: JBINGHAM 2011/01/10 APPR: JBINGHAM 2011/01/11	QUALITY SYMBOLS ▽ - 0 ▽ C - 0	GENERAL TOLERANCES (UNLESS SPECIFIED)		SCALE 4:1	DESIGN UNITS METRIC	THIRD ANGLE PROJECTION	REVISE ON CAD ONLY
		4 PLACES ± --- ± --- 3 PLACES ± --- ± --- 2 PLACES ± --- ± --- 1 PLACE ± --- ± ---	DIMENSION STYLE MM ONLY	TITLE SALES DRAWING FOR VERTICAL GANGED RF CONNECTOR, SHORT TAILS			
		DRAFT WHERE APPLICABLE MUST REMAIN WITHIN DIMENSIONS	APPROVED BY SREED DATE 2006/06/06	MATERIAL NO. SEE CHART	DOCUMENT NO. SD-74712-002		
		THIS DRAWING CONTAINS INFORMATION THAT IS PROPRIETARY TO MOLEX INCORPORATED AND SHOULD NOT BE USED WITHOUT WRITTEN PERMISSION	SHEET NO. 3 OF 5	MOLEX INCORPORATED			



RECOMMENDED PCB LAYOUT  
FOR THE 8 POSITION CONNECTOR  
COMPONENT SIDE  
MAX. BOARD THICKNESS: 4.50



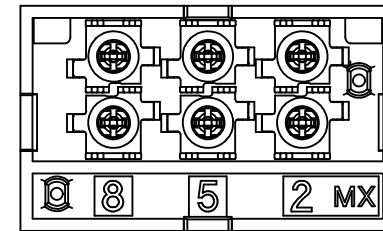
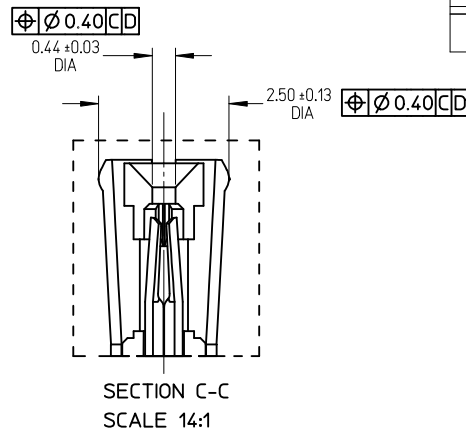
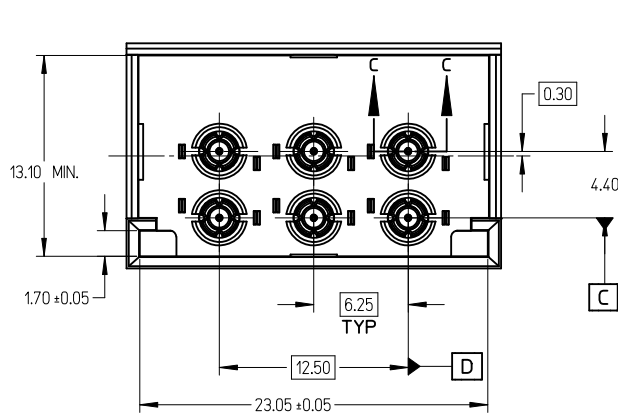
RECOMMENDED PCB LAYOUT  
FOR THE 10 POSITION CONNECTOR  
COMPONENT SIDE  
MAX. BOARD THICKNESS: 4.50



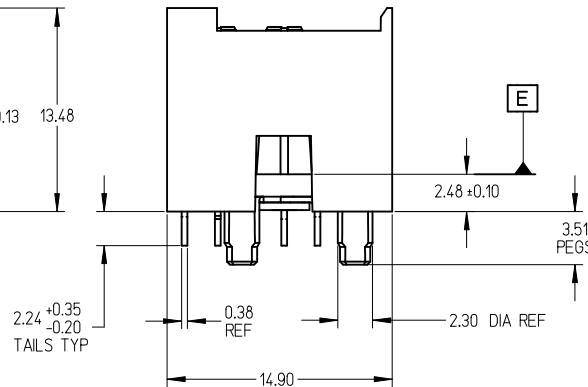
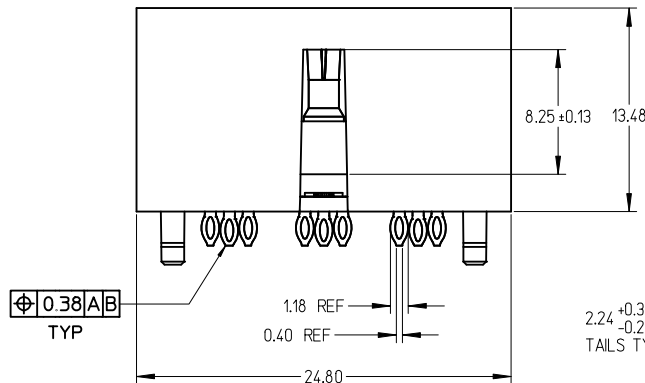
RECOMMENDED PCB LAYOUT  
FOR THE 6 POSITION CONNECTOR  
COMPONENT SIDE  
MAX. BOARD THICKNESS: 4.50

SEE SHEET 1 EC NO: UCP2011-2027 DRWN: JMENDOZA 2011/01/10 CHKD: JBINGHAM 2011/01/10 APPR: JBINGHAM 2011/01/11	QUALITY SYMBOLS	GENERAL TOLERANCES (UNLESS SPECIFIED)		SCALE 4:1	DESIGN UNITS METRIC	THIRD ANGLE PROJECTION	REVISE ON CAD ONLY
	▽ -0 ∇ ±0		mm	INCH	DIMENSION STYLE MM ONLY		TITLE SALES DRAWING FOR VERTICAL GANGED RF CONNECTOR, SHORT TAILS MOLEX INCORPORATED
		4 PLACES	± ---	± ---	DRAWN BY SREED	DATE 2006/06/06	
		3 PLACES	± ---	± ---	CHECKED BY JBINGHAM	DATE 2006/06/06	
				APPROVED BY SREED		DATE 2006/06/06	MATERIAL NO. SEE CHARTS DOCUMENT NO. SD-74712-002 SHEET NO. 4 OF 5
		DRAFT WHERE APPLICABLE MUST REMAIN WITHIN DIMENSIONS		THIS DRAWING CONTAINS INFORMATION THAT IS PROPRIETARY TO MOLEX INCORPORATED AND SHOULD NOT BE USED WITHOUT WRITTEN PERMISSION			

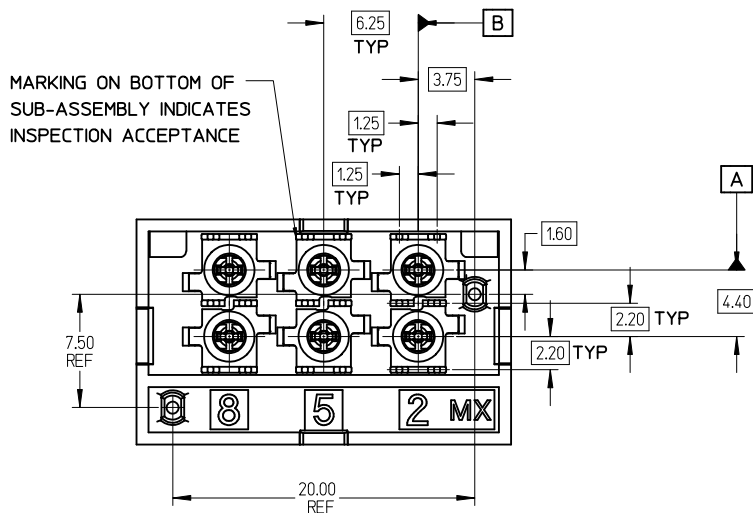
MATERIAL NO.	POSITION OF LOADED TERMINAL(S)	OPTIONAL PACKAGING HEADER	PACKAGING SPEC.
74712-5007	2, 5, 8	NO	PK-74712-101



MATL NO.: 74712-5007  
POSITIONS 2, 5 & 8 LOADED



6 POS. CONNECTOR SHOWN



NOTES:

1. MATERIAL:

HOUSING: GLASS FILLED THERMO PLASTIC, 94V-0  
INSULATOR: GLASS FILLED THERMO PLASTIC, 94V-0  
TERMINALS AND GROUND: TIN BRASS  
OUTER GROUND CONTACT: PHOSPHOR BRONZE

2. PLATING:

TERMINALS:  
SELECTIVE 0.76 MICRONS MIN. GOLD IN CONTACT AREA  
SELECTIVE 0.88 MICRONS MIN. TIN BOTH OVER  
1.27 MICRONS MIN. NICKEL UNDERPLATE  
GROUNDS:  
0.88 MICRONS MIN. TIN OVERALL OVER  
1.27 MICRONS MIN. NICKEL UNDERPLATE  
OUTER GROUND CONTACT:  
0.76 MICRONS MIN. GOLD OVERALL OVER  
1.27 MICRONS MIN. NICKEL UNDERPLATE

3. REFER TO PRODUCT SPEC.: PS-74854-001 FOR ELECTRICAL, MECHANICAL AND ENVIRONMENTAL REQUIREMENTS.

4. REFER TO PACKAGING SPEC STATED IN CHARTS FOR DETAILS OF THE PACKAGING REQUIREMENTS.

5. DATE CODE MARKING TO BE LOCATED ANYWHERE ON PLASTIC HOUSING. FIRST TWO DIGITS = WEEK NUMBER. LAST TWO DIGITS = YEAR.

REV	DESCRIPTION	QUALITY SYMBOLS	GENERAL TOLERANCES (UNLESS SPECIFIED)		DIMENSION STYLE		SCALE	DESIGN UNITS	THIRD ANGLE PROJECTION	
			mm	INCH	MM ONLY	DATE	METRIC	TITLE	MOLEX INCORPORATED	
D1	SEE SHEET 1 EC NO: UCP2011-2027 DRWN: JENDOZA 2011/01/10 CHKD: BINGHAM 2011/01/10 APPR: BINGHAM 2011/01/11	▽=0 ▽=0	4 PLACES ± ---	± ---	DRAWN BY	DATE	4:1	METRIC	SALES DRAWING FOR VERTICAL GANGED RF CONNECTOR, SHORT TAILS	
			3 PLACES ± ---	± ---	CHECKED BY	DATE			MOLEX INCORPORATED	
			2 PLACES ± ---	± ---	APPROVED BY	DATE			SD-74712-002	
			1 PLACE ± ---	± ---	SREED	2006/06/06			5 OF 5	
			ANGULAR ± 2 °		MATERIAL NO. SEE CHART		DOCUMENT NO.			
			DRAFT WHERE APPLICABLE MUST REMAIN WITHIN DIMENSIONS		SIZE C		THIS DRAWING CONTAINS INFORMATION THAT IS PROPRIETARY TO MOLEX INCORPORATED AND SHOULD NOT BE USED WITHOUT WRITTEN PERMISSION			