



Chipsmall Limited consists of a professional team with an average of over 10 year of expertise in the distribution of electronic components. Based in Hongkong, we have already established firm and mutual-benefit business relationships with customers from,Europe,America and south Asia,supplying obsolete and hard-to-find components to meet their specific needs.

With the principle of "Quality Parts,Customers Priority,Honest Operation,and Considerate Service",our business mainly focus on the distribution of electronic components. Line cards we deal with include Microchip,ALPS,ROHM,Xilinx,Pulse,ON,Everlight and Freescale. Main products comprise IC,Modules,Potentiometer,IC Socket,Relay,Connector.Our parts cover such applications as commercial,industrial, and automotives areas.

We are looking forward to setting up business relationship with you and hope to provide you with the best service and solution. Let us make a better world for our industry!



## Contact us

Tel: +86-755-8981 8866 Fax: +86-755-8427 6832

Email & Skype: info@chipsmall.com Web: www.chipsmall.com

Address: A1208, Overseas Decoration Building, #122 Zhenhua RD., Futian, Shenzhen, China



6

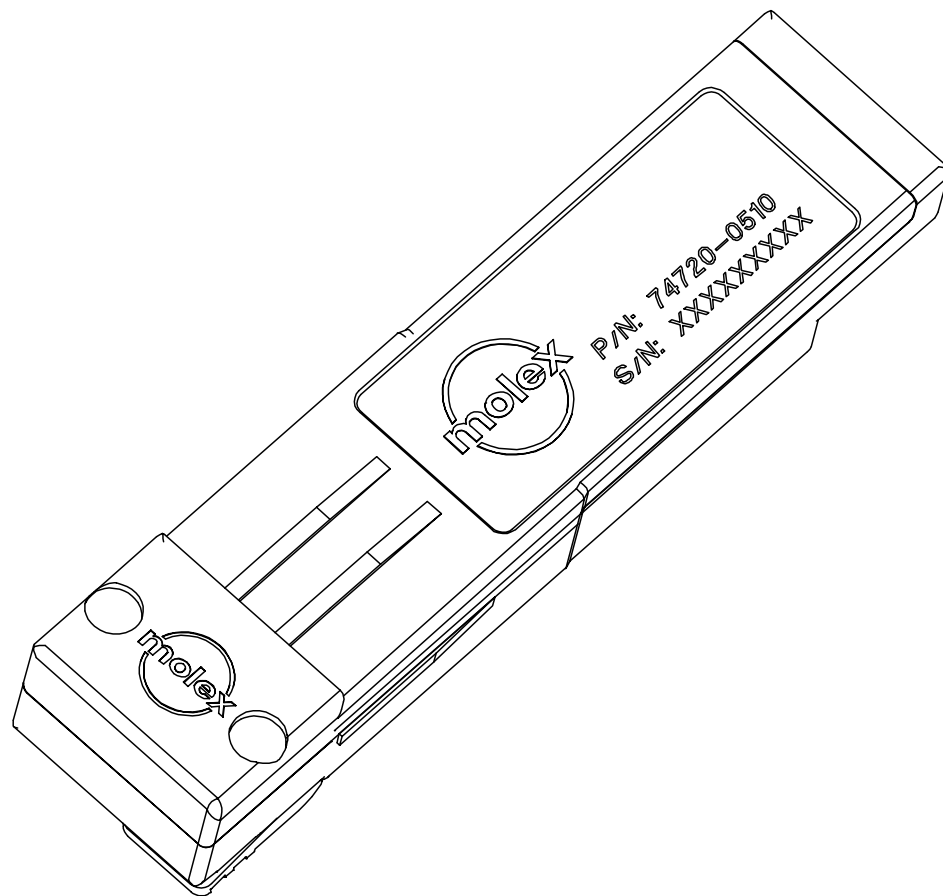
5

4

3

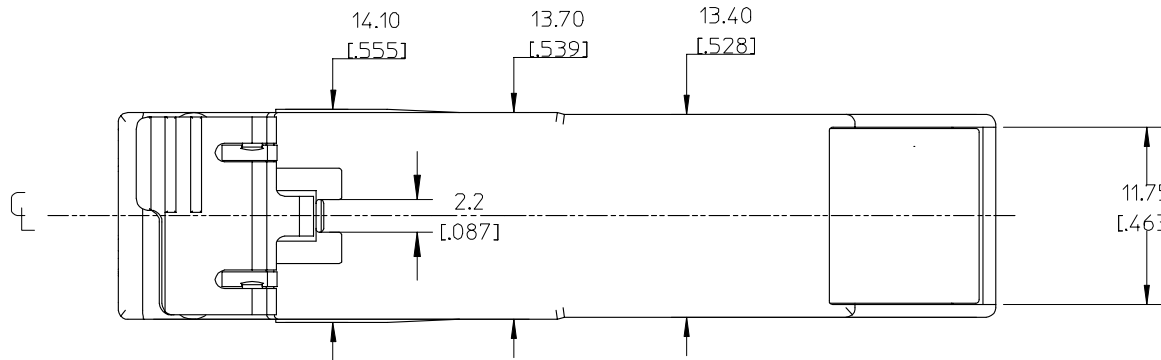
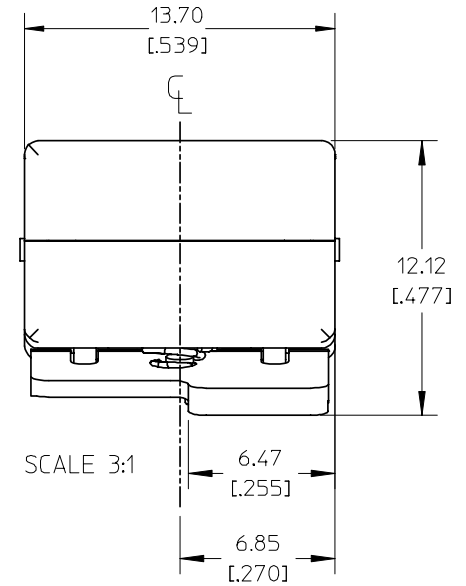
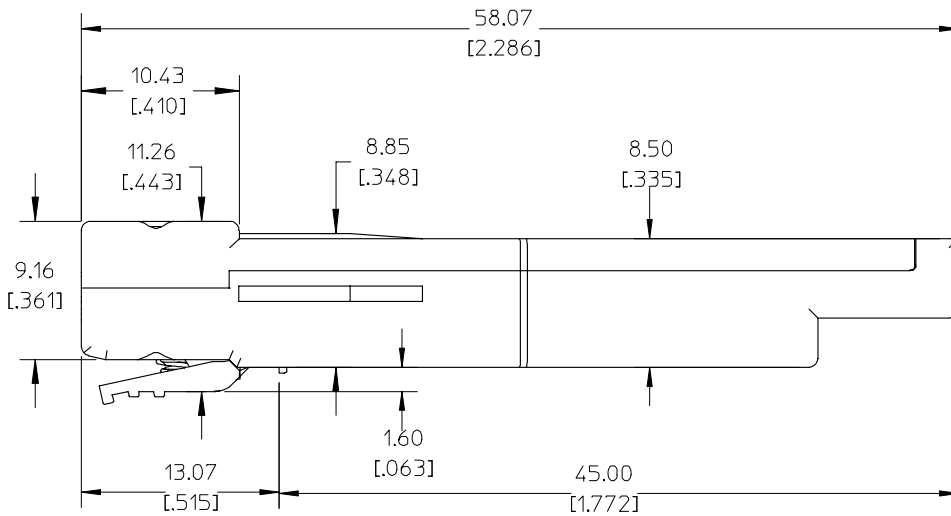
2

74720



1. Mates to SFP components which comply to standard MSA dimension specifications.
2. Robust zinc die cast body, bright nickel plated. Mounts belly-to-belly using .093"+ boards.
3. Raised wedges assure electrical contact with surrounding EMI cage assembly.
4. Spring loaded latch releases with simple squeeze, and pull action.

EC NO: USY20026-10205 DRWN: JERWIN 2005/08/24 CHK: APPR: KLOYD 2005/08/24	QUALITY SYMBOLS ▽ - 0 ▽ - 0	GENERAL TOLERANCES (UNLESS SPECIFIED)		SCALE 6:1	DESIGN UNITS METRIC	◎ ▢ THIRD ANGLE PROJECTION	REVISE ON CAD ONLY		
			mm	INCH	DIMENSION STYLE MM/IN		TITLE SFP EMI PLUG		
REV DESCRIPTION	▽ - 0	4 PLACES	± ---	± ---	DRAWN BY	DATE	Molex MOLEX INCORPORATED		
		3 PLACES	± ---	± .005	DIRKERS	2002/05/01			
REV DESCRIPTION	▽ - 0	2 PLACES	± 0.13	± ---	CHECKED BY	DATE	MATERIAL NO. 747200510 DOCUMENT NO. SD-74720-0510 SHEET NO. 1 OF 2		
		1 PLACE	± ---	± ---	DIRKERS	2002/05/01			
		ANGULAR ± 1/2 °		APPROVED BY	DATE				
		DRAFT WHERE APPLICABLE MUST REMAIN WITHIN DIMENSIONS		RUSSELL	2002/05/01				
		THIS DRAWING CONTAINS INFORMATION THAT IS PROPRIETARY TO MOLEX INCORPORATED AND SHOULD NOT BE USED WITHOUT WRITTEN PERMISSION							A



EC NO: USY2006-10005 DRWN: JERWIN 2005/08/24 CHK: APPR: KLOYD 2005/08/24 REV DESCRIPTION	QUALITY SYMBOLS	GENERAL TOLERANCES (UNLESS SPECIFIED)		SCALE 2:1	DESIGN UNITS METRIC	THIRD ANGLE PROJECTION	REVISE ON CAD ONLY		
	▽ - 0 ∇ - 0		mm	INCH	DIMENSION STYLE MM/IN		TITLE SFP EMI PLUG		
		4 PLACES	± ---	± ---	DRAWN BY DIRKERS	DATE 2002/05/01			
		3 PLACES	± ---	± .005	CHECKED BY DIRKERS	DATE 2002/05/01			
		2 PLACES	± 0.13	± ---	APPROVED BY RUSSELL	DATE 2002/05/01	MATERIAL NO. 747200510	DOCUMENT NO. SD-74720-0510	SHEET NO. 2 OF 2
		1 PLACE	± ---	± ---	THIS DRAWING CONTAINS INFORMATION THAT IS PROPRIETARY TO MOLEX INCORPORATED AND SHOULD NOT BE USED WITHOUT WRITTEN PERMISSION				
		ANGULAR ± 1/2 °							
		DRAFT WHERE APPLICABLE MUST REMAIN WITHIN DIMENSIONS							