



Chipsmall Limited consists of a professional team with an average of over 10 year of expertise in the distribution of electronic components. Based in Hongkong, we have already established firm and mutual-benefit business relationships with customers from,Europe,America and south Asia,supplying obsolete and hard-to-find components to meet their specific needs.

With the principle of “Quality Parts,Customers Priority,Honest Operation,and Considerate Service”,our business mainly focus on the distribution of electronic components. Line cards we deal with include Microchip,ALPS,ROHM,Xilinx,Pulse,ON,Everlight and Freescale. Main products comprise IC,Modules,Potentiometer,IC Socket,Relay,Connector.Our parts cover such applications as commercial,industrial, and automotives areas.

We are looking forward to setting up business relationship with you and hope to provide you with the best service and solution. Let us make a better world for our industry!



## Contact us

Tel: +86-755-8981 8866 Fax: +86-755-8427 6832

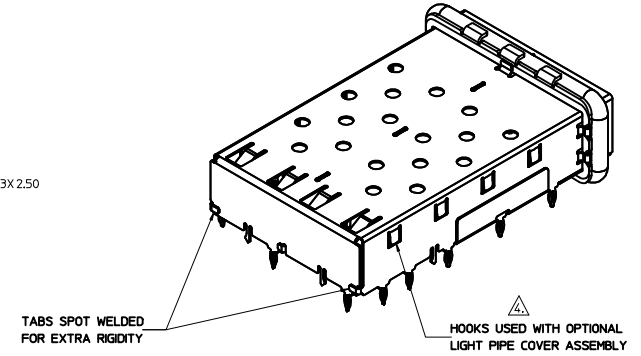
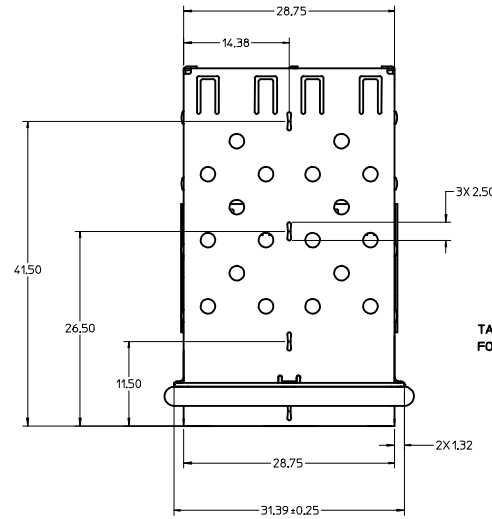
Email & Skype: info@chipsmall.com Web: www.chipsmall.com

Address: A1208, Overseas Decoration Building, #122 Zhenhua RD., Futian, Shenzhen, China

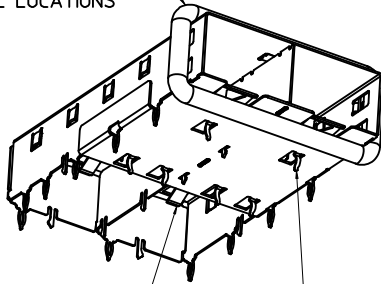


NOTES:

- PRESS FIT LEGS 3.05 LONG-  
1.57 MINIMUM PCB THICKNESS FOR SINGLE SIDED USE.  
3.00 MINIMUM PCB THICKNESS FOR BELLY TO BELLY USE.
  - MATERIAL: COPPER ALLOY  
PLATING: NONE  
NOTE: A NICKEL PLATED VERSION OF THIS ASSEMBLY IS AVAILABLE.  
REFER TO DOCUMENT SD-74722-004
  - REFERENCE DOCUMENTS:  
PRODUCT SPECIFICATION: PS-74728-000  
COSMETIC SPECIFICATIONS: WI-HP-2774 AND WI-HPA-7-0093  
TEST SUMMARY: TS-73927-0250.
- ⚠ MATES WITH SERIES 74727. LIGHT PIPE COVER ASSEMBLY.
5. NO RoHS EXEMPTIONS.



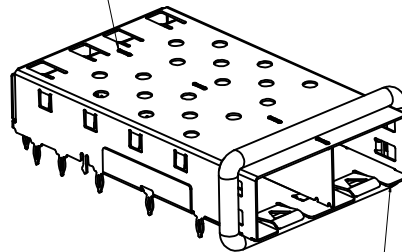
360° ELASTOMER EMI GASKET COMPLIES WITH (SFP) MSA BOARD AND BEZEL LOCATIONS



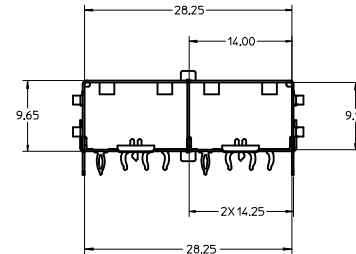
EMI FINGERS CONTACT ADAPTER

6 UNDER BELLY EMI PINS

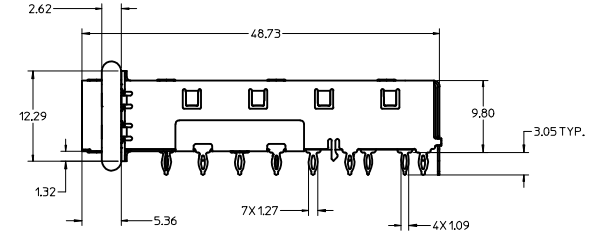
INNER WALL TABS ARE COINED OVER BASE AND COVER FOR RIGIDITY



DIMENSIONS OF EACH INNER CAGE DESIGNED TO FUNCTION WITH SMALL FORM-FACTOR PLUGGABLE (SFP) TRANSCEIVER



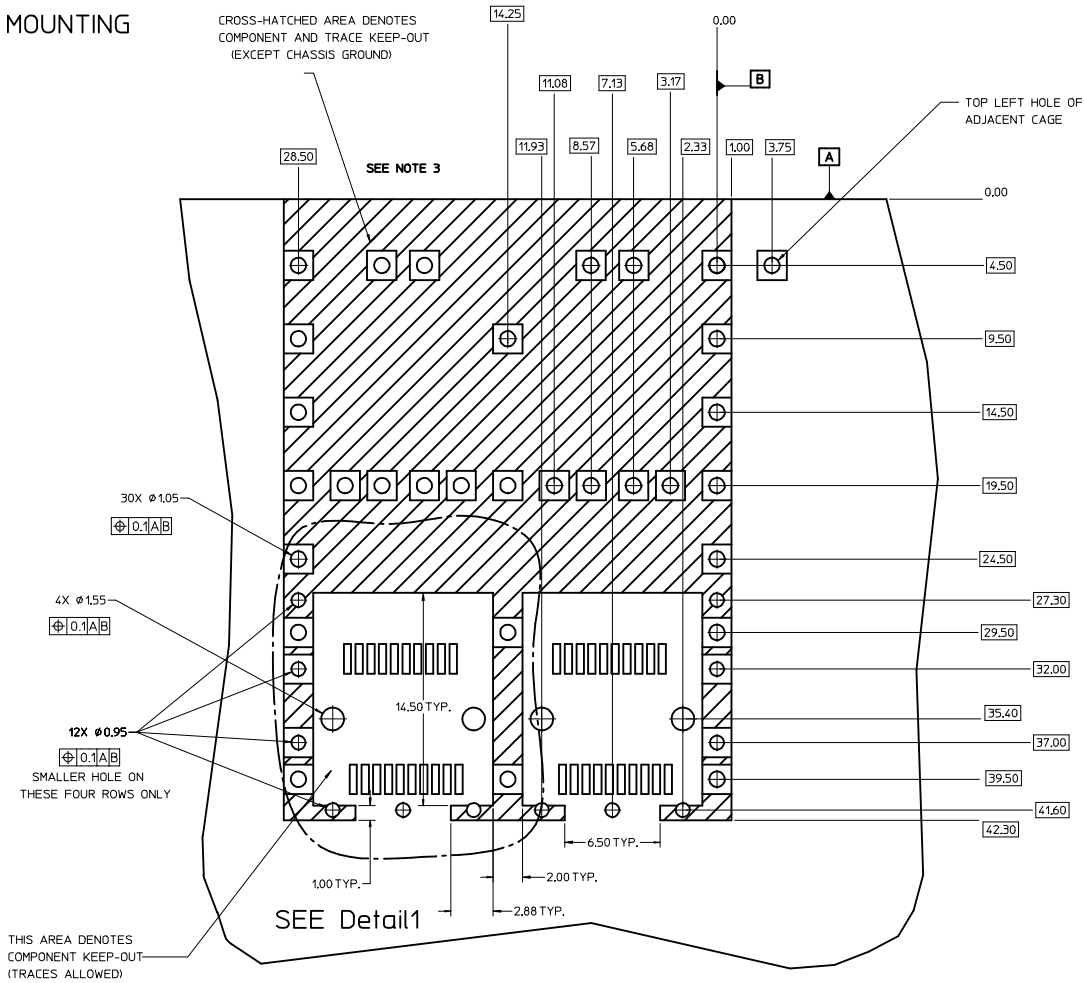
GASKET AND FRAME REMOVED FOR CLARITY



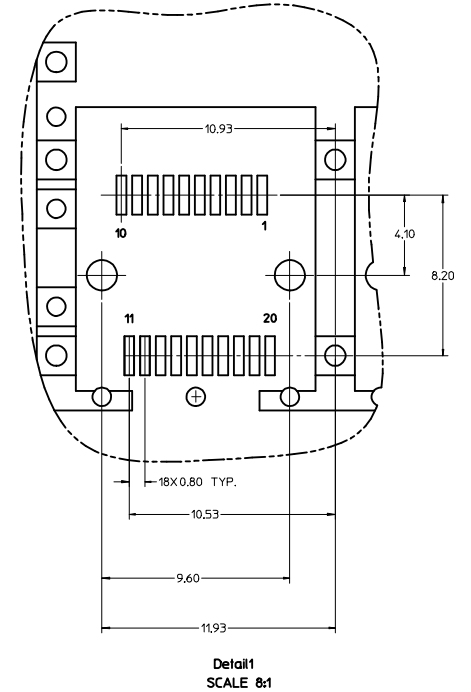
PART NUMBER	ELASTOMERIC GASKET FLAMMABILITY RATING
739270250	
739270254	EQUATE TO UL94 V-0

<b>SEE REVISION TABLE</b> EC NO: CPG2014-3377 DRAWN BY: DRWNR/CHEN08 2014/05/05 CHECKED BY: CHYKEMAN07 2014/06/25 APPROVED BY: APPR/CHEN08 2014/06/26	QUALITY SYMBOLS	GENERAL TOLERANCES (UNLESS SPECIFIED)	DIMENSION STYLE	SCALE	DESIGN UNITS	THIRD ANGLE PROJECTION
	▽=0	4 PLACES ± mm	MM ONLY	3:1	METRIC	
	▽=0	3 PLACES ± .013	INCH			
	▽=0	2 PLACES ± 0.25				
		ANGULAR ± 1°	DRAWN BY: KSI MONSO	DATE: 2003/09/25	TITLE: 1X2 SFP GANGED CAGE ASSEMBLY PRESS FIT	
		DRAFT WHERE APPLICABLE MUST REMAIN WITHIN DIMENSIONS	CHECKED BY: BRUSSELL	DATE: 2003/10/27	molex	
			APPROVED BY: KJANOTA	DATE: 2010/03/16	SD-73927-250	
			MATERIAL NO: SEE P/N TABLE	DOCUMENT NO: SD-73927-250	SHEET NO: 1 OF 5	
			THIS DRAWING CONTAINS INFORMATION THAT IS PROPRIETARY TO MOLEX INCORPORATED AND SHOULD NOT BE USED WITHOUT WRITTEN PERMISSION			

# PCB LAYOUT FOR BELLY TO BELLY MOUNTING



## HOST CONNECTOR DETAIL



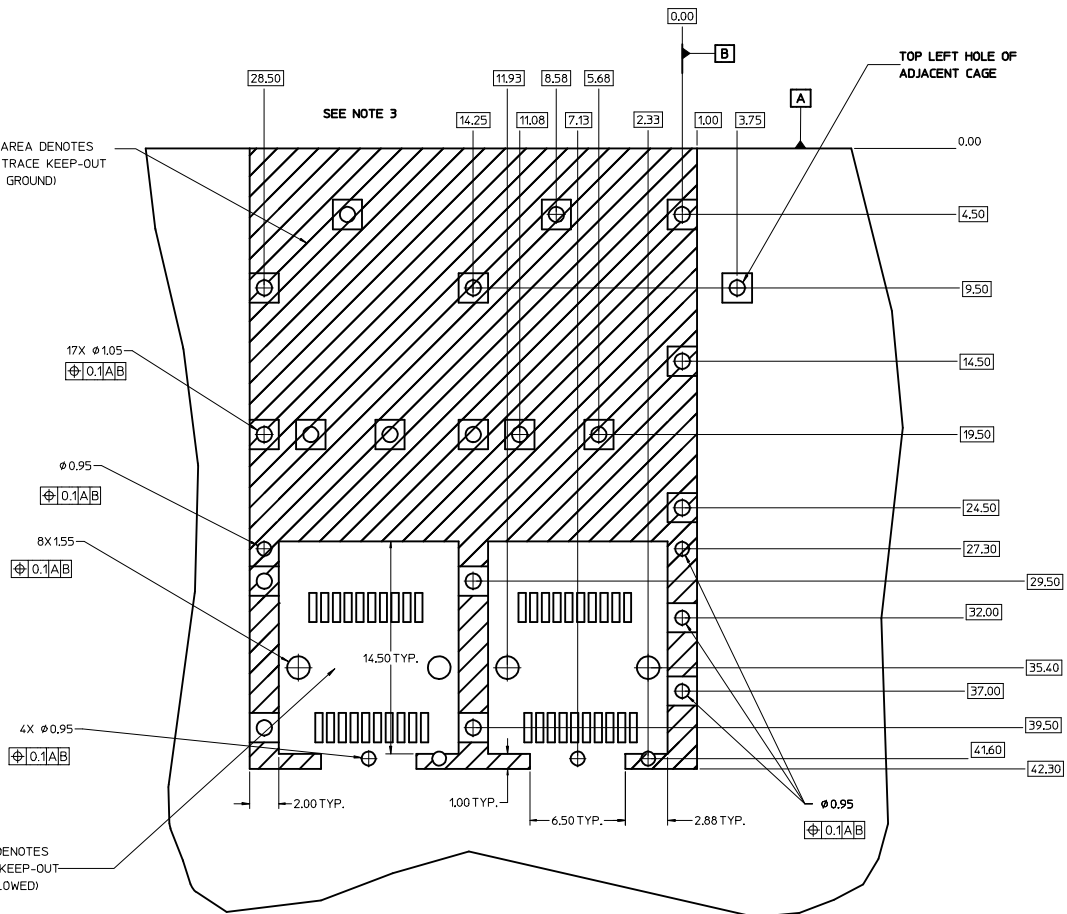
### NOTES:

1. PADS AND VIAS GO TO CHASSIS GROUND, (34 PLACES), RECOMMENDED PADS TO BE 2mm SQUARE.
2. PLATING OPTIONAL FOR THROUGH HOLES (8 PLACES)
3. RECOMMENDED PLATING INCLUDES HASL, IMMERSION (GOLD, SILVER, OR TIN), AND OSP.
4. HOLE PATTERN REPEATS FOR EACH PORT, SPACING BETWEEN PORTS IS 14.25
5. CONNECTOR PAD LAYOUT PER SFP MSA. WILL ACCOMODATE MOLEX CONNECTOR SERIES 74441 OR EQUIVALENT.

SEE REVISION TABLE	QUALITY SYMBOLS	GENERAL TOLERANCES (UNLESS SPECIFIED)		DIMENSION STYLE		SCALE	DESIGN UNITS	THIRD ANGLE PROJECTION
		mm	INCH	MM ONLY	INCH			
EC NO: CPG2014-3377	▽=0	4 PLACES ±---	±---	DRAWN BY	DATE	6:1	METRIC	1X2 SFP GANGED CAGE ASSEMBLY PRESS FIT
DRWNRCHEN08 2014/05/05	▽=0	3 PLACES ±---	±---	KS IMONSO	2003/09/25			
CHKDEMAN07 2014/06/25	▽=0	2 PLACES ±0.13	±---	CHECKED BY	DATE	<b>molex</b> MATERIAL NO. SEE P/N TABLE DOCUMENT NO. SD-73927-250 SHEET NO. 2 OF 5		
APPR-RCHE08 2014/06/26	▽=0	1 PLACE ±0.25	±---	BRUSSELL	2003/10/27			
	▽=0	0 PLACE ±	±	APPROVED BY	DATE			
				K JANOTA	2010/03/16			

# PCB LAYOUT FOR SINGLE SIDE MOUNTING

CROSS-HATCHED AREA DENOTES  
COMPONENT AND TRACE KEEP-OUT  
(EXCEPT CHASSIS GROUND)

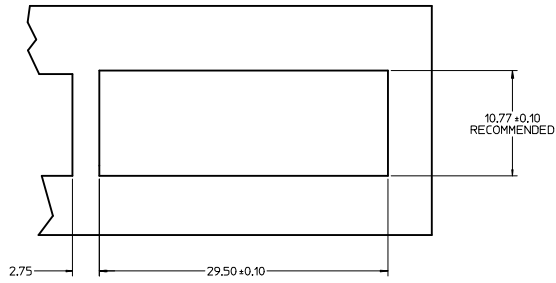


THIS AREA DENOTES  
COMPONENT KEEP-OUT  
(TRACES ALLOWED)

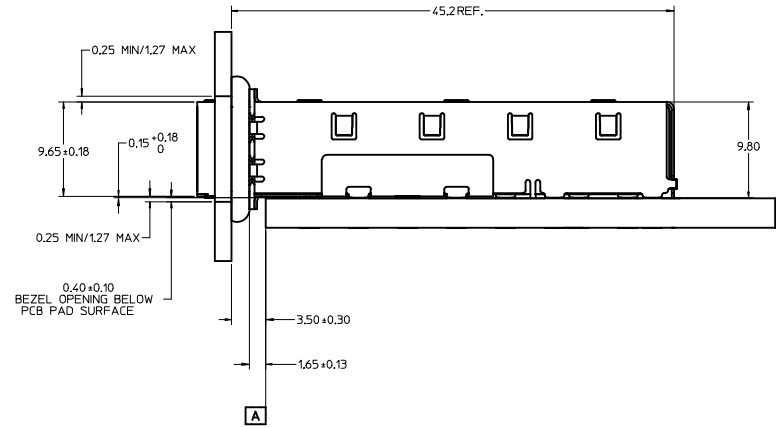
## NOTES:

1. PADS AND VIAS GO TO CHASSIS GROUND, (19 PLACES). RECOMMENDED PADS TO BE 2mm SQUARE.
2. PLATING OPTIONAL FOR THROUGH HOLES (6 PLACES)
3. RECOMMENDED PLATING INCLUDES HASL, IMMERSION (GOLD, SILVER, OR TIN), AND OSP.
4. HOLE PATTERN REPEATS FOR EACH PORT, SPACING BETWEEN PORTS IS 14.25
5. CONNECTOR PAD LAYOUT PER SFP MSA. WILL ACCOMODATE MOLEX CONNECTOR SERIES 74441 OR EQUIVALENT.

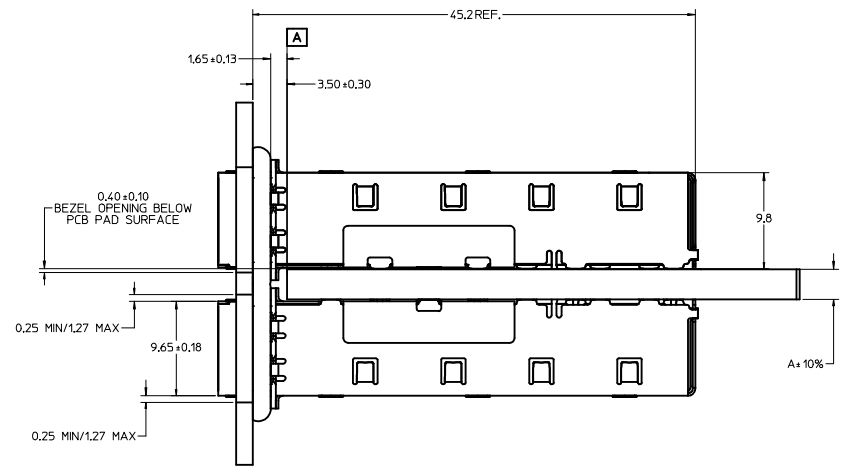
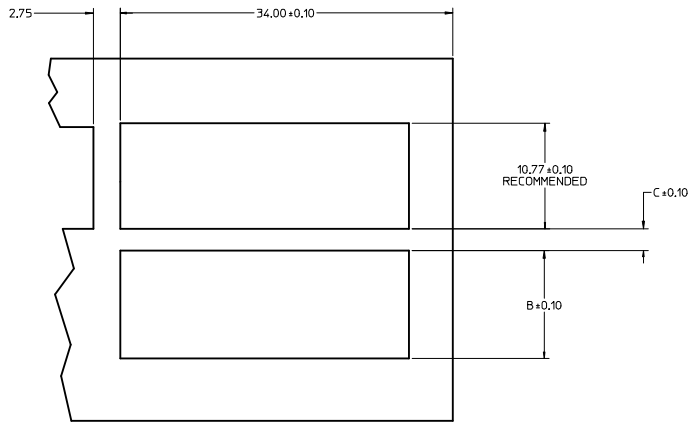
SEE REVISION TABLE		QUALITY SYMBOLS	GENERAL TOLERANCES (UNLESS SPECIFIED)		DIMENSION STYLE		SCALE	DESIGN UNITS	THIRD ANGLE PROJECTION
REV	DESCRIPTION	▽=0	mm	INCH	MM ONLY		6:1	METRIC	☉
D	DRYNRCHEN08 2014/05/05 CHYKEMANG07 2014/06/25 APPRCHEN08 2014/06/26	▽=0	±	±	DRAWN BY: KSI MONSO DATE: 2003/09/25				TITLE <b>1X2 SFP GANGED CAGE ASSEMBLY PRESS FIT</b>
		▽=0	±0.13	±	CHECKED BY: BRUSSELL DATE: 2003/10/27				
		▽=0	±0.25	±	APPROVED BY: KJANOTA DATE: 2010/03/16				
			ANGULAR ± 1 °		MATERIAL NO. SEE P/N TABLE		DOCUMENT NO. SD-73927-250		SHEET NO. 3 OF 5
			DRAFT WHERE APPLICABLE MUST REMAIN WITHIN DIMENSIONS		THIS DRAWING CONTAINS INFORMATION THAT IS PROPRIETARY TO MOLEX INCORPORATED AND SHOULD NOT BE USED WITHOUT WRITTEN PERMISSION				



BEZEL AND BOARD POSITION DIMENSIONS FOR SINGLE SIDE MOUNTING



BEZEL AND BOARD POSITION DIMENSIONS FOR BELLY TO BELLY MOUNTING



NOTE:

1. FOR A GIVEN BOARD THICKNESS (A), DIMENSIONS (B) AND (C) ARE DIRECTLY AFFECTED.
2. USE RECOMMENDED DIMENSIONS AND TOLERANCES TO AID IN DEVELOPING BEZEL OPENING.
3. FOR EXAMPLE USING A BOARD THICKNESS OF .125" THE RECOMMENDED VALUES WOULD BE:

A = 3.18  
 B = 11.03  
 C = 2.23

SEE REVISION TABLE		QUALITY SYMBOLS		GENERAL TOLERANCES (UNLESS SPECIFIED)		DIMENSION STYLE		SCALE	DESIGN UNITS	THIRD ANGLE PROJECTION
REV	DESCRIPTION	mm	INCH	mm	INCH	MM ONLY	DATE	4:1	METRIC	⊙
D	DRWNRCHEN08 2014/05/05	± 0.13	± .005	± 0.13	± .005	MM ONLY	2014/06/25			
	CHKDWMAN07 2014/06/25	± 0.25	± .010	± 0.25	± .010		2013/10/27			
	APPRRCHEN08 2014/06/26	± 0.25	± .010	± 0.25	± .010		2010/03/16			
		ANGULAR ± 1°		DRAFT WHERE APPLICABLE MUST REMAIN WITHIN DIMENSIONS		SEE P/N TABLE		DOCUMENT NO. SD-73927-250		SHEET NO. 4 OF 5
THIS DRAWING CONTAINS INFORMATION THAT IS PROPRIETARY TO MOLEX INCORPORATED AND SHOULD NOT BE USED WITHOUT WRITTEN PERMISSION										

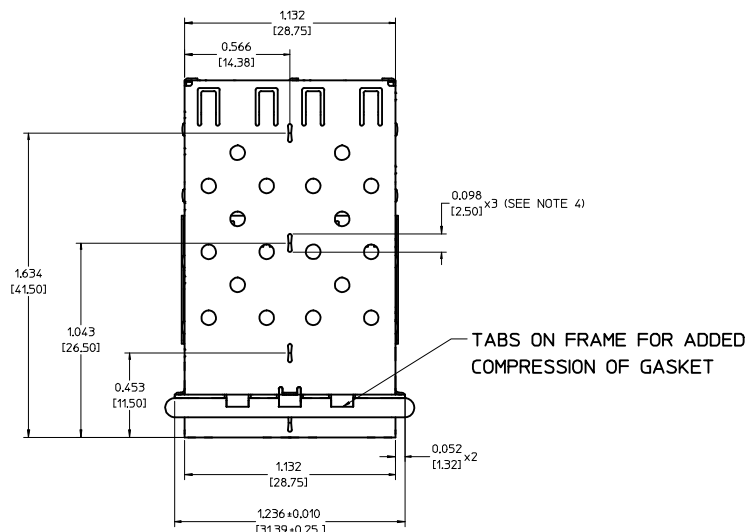
REVISION HISTORY

DATE	REV	DESCRIPTION
10/27/2003	A	INITIAL RELEASE
10/06/2005	B	ADDED PCB AND BEZEL LAYOUT
12/10/2009	C	ADDED ISO VIEW WITH WELD CALLOUT
05/05/2014	D	1. ADDED 739270254 [SHT 1] 2. ADDED "MM 3D MODEL: TM-74722-000" ON LEFT TOP CORNER [SHT 1] 3. NOTE 5 CHANGED AS "NO RoHS EXEMPTIONS" [SHT 1] 4. REMOVE ALL DIMENSIONS IN INCH [SHT 1 TO 4].

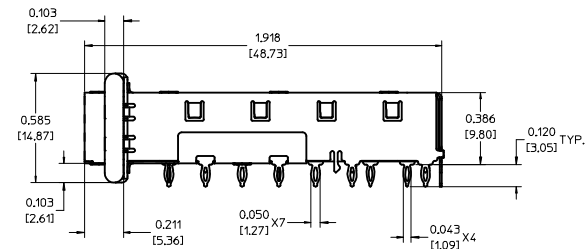
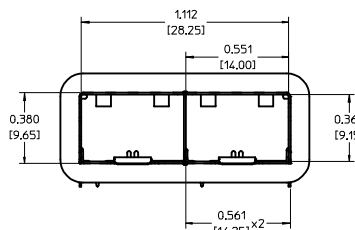
SEE REVISION TABLE IEC NO: CPG2014-3377 D DRAWN BY: 2014/05/05 CHYKDEWANG07 2014/06/25 APPR: RCHEN08 2014/06/26	QUALITY SYMBOLS	GENERAL TOLERANCES (UNLESS SPECIFIED)	DIMENSION STYLE	SCALE	DESIGN UNITS	THIRD ANGLE PROJECTION
	▽=0	4 PLACES ± mm ± INCH	MM ONLY	3:1	METRIC	☉
	▽=0	3 PLACES ± 0.13 ± 0.005 ± 0.0025				
	▽=0	2 PLACES ± 0.25 ± 0.01 ± 0.005				
	ANGULAR ± 1°	DRAFT WHERE APPLICABLE MUST REMAIN WITHIN DIMENSIONS	DRAWN BY DATE	CHECKED BY DATE	APPROVED BY DATE	TITLE
			KSIMONSO 2003/09/25	BRUSSELL 2003/10/27	KJANOTA 2010/03/16	1X2 SFP GANGED CAGE ASSEMBLY PRESS FIT
			SEE P/N TABLE		MATERIAL NO.	DOCUMENT NO.
			D			SD-73927-250
			THIS DRAWING CONTAINS INFORMATION THAT IS PROPRIETARY TO MOLEX INCORPORATED AND SHOULD NOT BE USED WITHOUT WRITTEN PERMISSION			SHEET NO. 5 OF 5

**NOTES:**

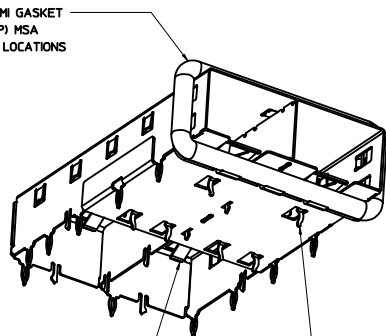
1. PRESS FIT LEGS 0.120" LONG-  
0.062 [1.57] MINIMUM PCB THICKNESS FOR SINGLE SIDED USE.  
THIS CAGE IS NOT DESIGNED FOR USE IN BELLY-TO-BELLY APPLICATIONS.
2. MATERIAL: COPPER ALLOY  
PLATING: PRE-PLATED NICKEL
3. REFERENCE DOCUMENTS:  
PRODUCT SPECIFICATION: PS-74728-000  
COSMETIC SPECIFICATIONS: WI-HP-2774 AND WI-HPA-7-0093  
TEST SUMMARY: TS-74722-0001.
4. MATES WITH SERIES 74727, LIGHT PIPE COVER ASSEMBLY.
5. THIS PART MEETS THE RESTRICTION OF HAZARDOUS SUBSTANCES IN ELECTRICAL AND ELECTRONIC EQUIPMENT (ROHS) DIRECTIVE (2002/95/EC).



TABS ON FRAME FOR ADDED COMPRESSION OF GASKET



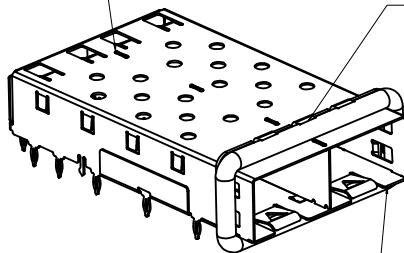
360° ELASTOMER EMI GASKET COMPLIES WITH (SFP) MSA BOARD AND BEZEL LOCATIONS



EMI FINGERS CONTACT ADAPTER

6 UNDER BELLY EMI PINS

INNER WALL TABS ARE COINED OVER BASE AND COVER FOR RIGIDITY



DIMENSIONS OF EACH INNER CAGE DESIGNED TO FUNCTION WITH SMALL FORM-FACTOR PLUGGABLE (SFP) TRANSCEIVER

FRAME HAS TABS TO ADD COMPRESSION OF GASKET AGAINST CAGE FOR ENHANCED EMI PERFORMANCE. GASKET SEAM IS LOCATED ON TOP OF CAGE.

<b>ENTER DESCRIPTION</b> IEC NO: USY2006-0073 DRAWN BY: KSI MONSON 2006/01/17 CHECKED BY: CHYK BRUSSELL 2006/01/20 APPROVED BY: BRUSSELL 2006/01/25 REV:	QUALITY SYMBOLS	GENERAL TOLERANCES (UNLESS SPECIFIED)	DIMENSION STYLE	SCALE	DESIGN UNITS	THIRD ANGLE PROJECTION	
	▽=0 ▽=0	mm: ±--- INCH: ±--- 3 PLACES: ±--- ±.005 2 PLACES: ±.013 ±.010 1 PLACE: ±.025 ±--- ANGULAR ± 1°	IN/MM DRAWN BY: KSI MONSON DATE: 2005/10/06 CHECKED BY: BRUSSELL DATE: 2005/10/06 APPROVED BY: BRUSSELL DATE: 2005/10/06	3:1	METRIC	TITLE: 1X2 SFP GANGED CAGE ASSY. FRAME W/ TABS PRE-PLATED MOLEX INCORPORATED	
	DRAFT WHERE APPLICABLE MUST REMAIN WITHIN DIMENSIONS	MATERIAL NO: 747220004 SIZE: D	DOCUMENT NO: SD-74722-004 SHEET NO: 1 OF 4	THIS DRAWING CONTAINS INFORMATION THAT IS PROPRIETARY TO MOLEX INCORPORATED AND SHOULD NOT BE USED WITHOUT WRITTEN PERMISSION			

# PCB LAYOUT FOR SINGLE SIDE MOUNTING

CROSS-HATCHED AREA DENOTES COMPONENT AND TRACE KEEP-OUT (EXCEPT CHASSIS GROUND)

$\phi .041$  X17  
 $\phi .004$ [A][B]

$\phi .037$  X8  
 $\phi .004$ [A][B]

$\phi .061$  X8  
 $\phi .004$ [A][B]

$\phi .037$  X4  
 $\phi .004$ [A][B]

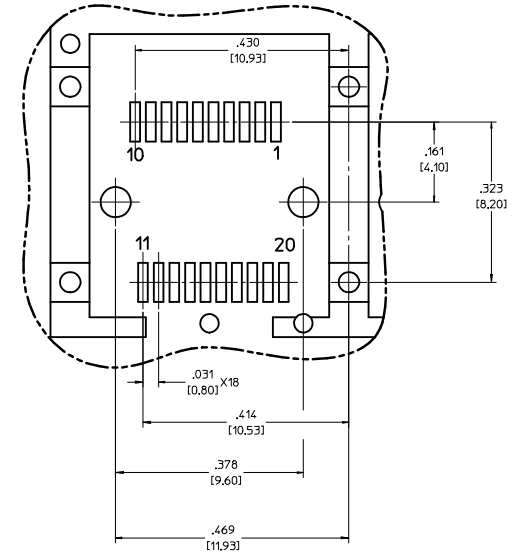
THIS AREA DENOTES COMPONENT KEEP-OUT (TRACES ALLOWED)

SEE DETAIL 1

SEE NOTE 3

TOP LEFT HOLE OF ADJACENT CAGE

DETAIL 1  
SCALE 8:1



**NOTES:**

1. PADS AND VIAS GO TO CHASSIS GROUND. (19 PLACES).  
RECOMMENDED PADS TO BE 2mm SQUARE.

2. PLATING OPTIONAL FOR THROUGH HOLES (6 PLACES)

3. RECOMMENDED PLATING INCLUDES HASL, IMMERSION (GOLD, SILVER, OR TIN), AND OSP.

4. HOLE PATTERN REPEATS FOR EACH PORT.  
SPACING BETWEEN PORTS IS 0.561 [14.25]

5. CONNECTOR PAD LAYOUT PER SFP MSA. WILL ACCOMMODATE MOLEX CONNECTOR SERIES 74441 OR EQUIVALENT.

.000 [0.000]

.469 [11.93] .338 [8.58] .224 [5.68]  
.561 [14.25] .436 [11.08] .281 [7.13] .092 [2.33] .039 [1.00] .148 [3.75]

.000 [0.000]

.177 [4.50]

.374 [9.50]

.571 [14.50]

.768 [19.50]

.965 [24.50]

1.075 [27.30]

1.161 [29.50]

1.260 [32.00]

1.394 [35.40]

1.457 [37.00]

1.555 [39.50]

1.638 [41.60]

1.665 [42.30]

.079 [2.00] TYP.

.039 [1.00] TYP.

.256 [6.50] TYP.

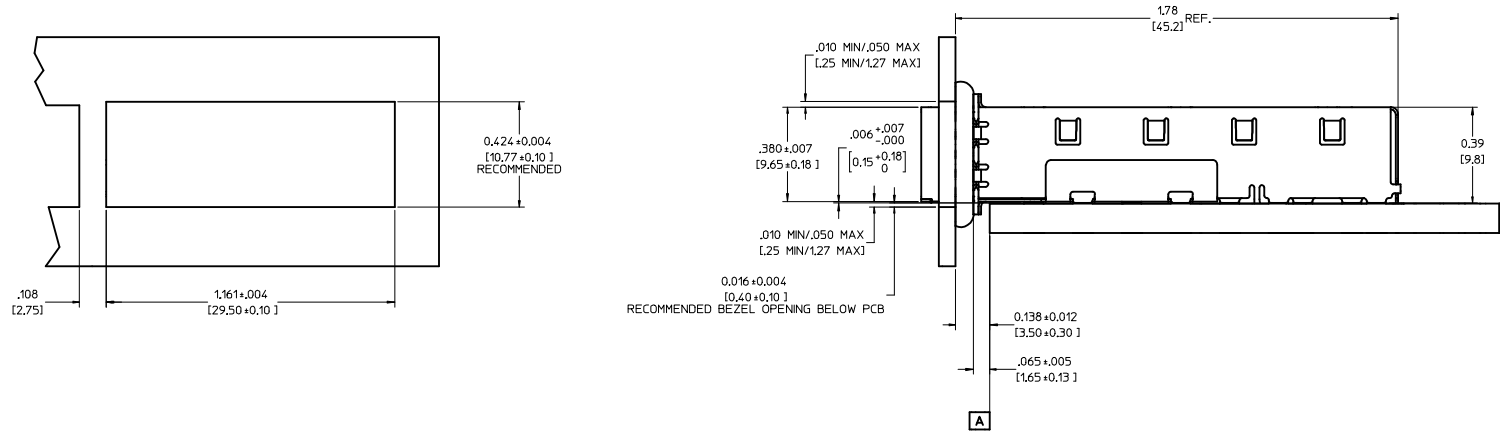
.113 [2.88] TYP.

$\phi .037$  [0.951]

<b>ENTER DESCRIPTION</b> IEC NO: USY2006-0073 DRAWN BY: KSI MONSON 2006/01/17 CHECKED BY: CHYD BRUSSELL 2006/01/20 APPROVED BY: BRUSSELL 2006/01/25	<b>QUALITY SYMBOLS</b> ▽=0 ▽=0	<b>GENERAL TOLERANCES (UNLESS SPECIFIED)</b>		<b>DIMENSION STYLE</b> IN/MM	<b>SCALE</b> 6:1	<b>DESIGN UNITS</b> METRIC	THIRD ANGLE PROJECTION		
		4 PLACES ±.--- ±.--- 3 PLACES ±.--- ±.005 2 PLACES ±0.13 ±.010 1 PLACE ±0.25 ±.---	mm INCH	DRAWN BY: KSI MONSON DATE: 2005/10/06	CHECKED BY: BRUSSELL DATE: 2005/10/06	<b>TITLE</b> 1X2 SFP GANGED CAGE ASSY, FRAME W/ TABS PRE-PLATED			
		ANGULAR ± 1°	DRAFT WHERE APPLICABLE MUST REMAIN WITHIN DIMENSIONS	APPROVED BY: BRUSSELL DATE: 2005/10/06	<b>MOLEX INCORPORATED</b>				
		MATERIAL NO. 747220004 SIZE D	DOCUMENT NO. SD-74722-004	THIS DRAWING CONTAINS INFORMATION THAT IS PROPRIETARY TO MOLEX INCORPORATED AND SHOULD NOT BE USED WITHOUT WRITTEN PERMISSION					



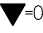
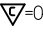
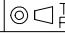
# BEZEL AND BOARD POSITION DIMENSIONS FOR SINGLE SIDE MOUNTING



<b>ENTER DESCRIPTION</b> IEC NO: USY2006-0073 DRAWN BY: DRINKS IMONSON 2006/01/17 CHECKED BY: CHYKORUSSELL 2006/01/20 APPROVED BY: APPR:BRUSSELL 2006/01/25	QUALITY SYMBOLS	GENERAL TOLERANCES (UNLESS SPECIFIED)	DIMENSION STYLE	SCALE	DESIGN UNITS	THIRD ANGLE PROJECTION	
	$\nabla=0$ $\nabla=0$	mm INCH 4 PLACES $\pm$ --- $\pm$ --- 3 PLACES $\pm$ --- $\pm$ .005 2 PLACES $\pm$ 0.13 $\pm$ .010 1 PLACE $\pm$ 0.25 $\pm$ --- ANGULAR $\pm$ 1 °	IN/MM	4:1	METRIC		
	DRAFT WHERE APPLICABLE MUST REMAIN WITHIN DIMENSIONS	DRAWN BY: KS IMONSON 2005/10/06 CHECKED BY: BRUSSELL 2005/10/06 APPROVED BY: BRUSSELL 2005/10/06	DATE DATE DATE	TITLE 1X2 SFP GANGED CAGE ASSY, FRAME W/ TABS PRE-PLATED	MATERIAL NO. 747220004	DOCUMENT NO. SD-74722-004	SHEET NO. 3 OF 4
		MOLEX INCORPORATED	THIS DRAWING CONTAINS INFORMATION THAT IS PROPRIETARY TO MOLEX INCORPORATED AND SHOULD NOT BE USED WITHOUT WRITTEN PERMISSION				

20 19 18 17 16 15 14 13 12 11 10 9 8 7 6 5 4 3 2 1

DATE	REV	CHANGES	COMMENTS
2005/10/06	A	INITIAL RELEASE	N/A

<b>ENTER DESCRIPTION</b> IEC NO: USY2006-0073 DRAWN BY: DRANKS IMONSON 2006/01/17 CHECKED BY: CHYD BRUSSELL 2006/01/20 APPR: BRUSSELL 2006/01/25	<b>QUALITY SYMBOLS</b>  = 0  = 0	<b>GENERAL TOLERANCES (UNLESS SPECIFIED)</b>		<b>DIMENSION STYLE</b> IN/MM	<b>SCALE</b> 1:1	<b>DESIGN UNITS</b> METRIC	 <b>THIRD ANGLE PROJECTION</b>	
		4 PLACES ± --- ± --- 3 PLACES ± --- ± .005 2 PLACES ± 0.13 ± .010 1 PLACE ± 0.25 ± ---	DRAWN BY: DATE KS IMONSO 2005/10/06 CHECKED BY: DATE BRUSSELL 2005/10/06 APPROVED BY: DATE BRUSSELL 2005/10/06	<b>TITLE</b> 1X2 SFP GANGED CAGE ASSY. FRAME W/ TABS PRE-PLATED				
		ANGULAR ± 1°	<b>MATERIAL NO.</b> 747220004		<b>DOCUMENT NO.</b> SD-74722-004		<b>MOLEX INCORPORATED</b>	<b>SHEET NO.</b> 4 OF 4
		DRAFT WHERE APPLICABLE MUST REMAIN WITHIN DIMENSIONS	THIS DRAWING CONTAINS INFORMATION THAT IS PROPRIETARY TO MOLEX INCORPORATED AND SHOULD NOT BE USED WITHOUT WRITTEN PERMISSION					

19 18 17 16 15 14 13 12 11 10 9 8 7 6 5 4 3 2 1