



Chipsmall Limited consists of a professional team with an average of over 10 year of expertise in the distribution of electronic components. Based in Hongkong, we have already established firm and mutual-benefit business relationships with customers from,Europe,America and south Asia,supplying obsolete and hard-to-find components to meet their specific needs.

With the principle of “Quality Parts,Customers Priority,Honest Operation,and Considerate Service”,our business mainly focus on the distribution of electronic components. Line cards we deal with include Microchip,ALPS,ROHM,Xilinx,Pulse,ON,Everlight and Freescale. Main products comprise IC,Modules,Potentiometer,IC Socket,Relay,Connector.Our parts cover such applications as commercial,industrial, and automotives areas.

We are looking forward to setting up business relationship with you and hope to provide you with the best service and solution. Let us make a better world for our industry!



## Contact us

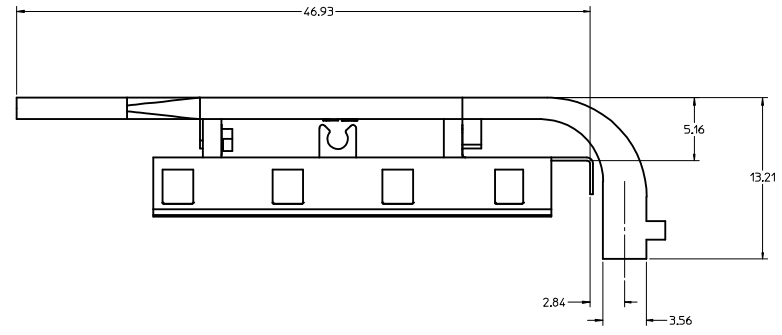
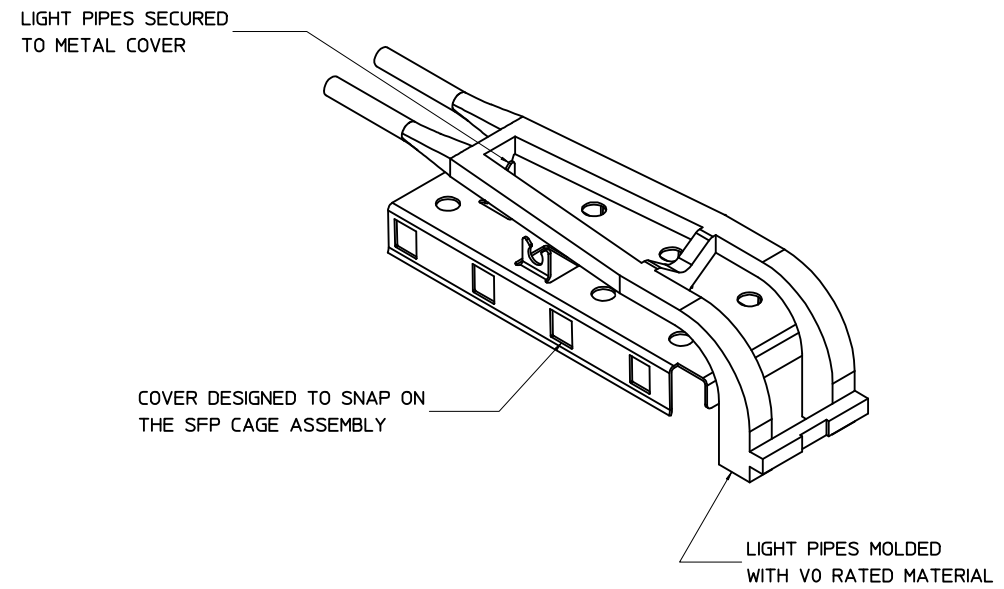
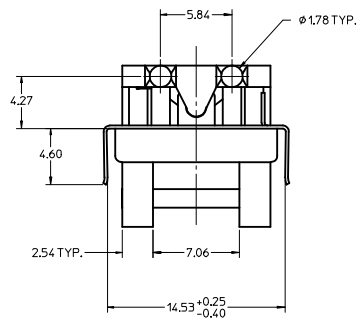
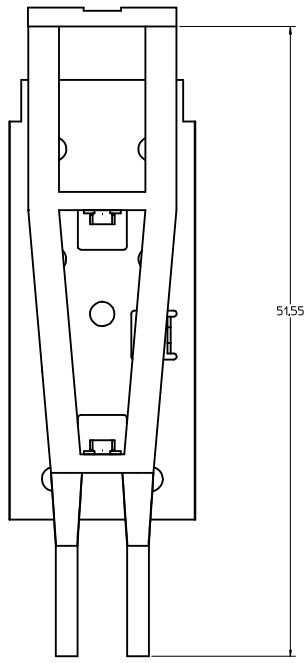
Tel: +86-755-8981 8866 Fax: +86-755-8427 6832

Email & Skype: info@chipsmall.com Web: www.chipsmall.com

Address: A1208, Overseas Decoration Building, #122 Zhenhua RD., Futian, Shenzhen, China



3D MODEL: EM-74726-001-ASSY

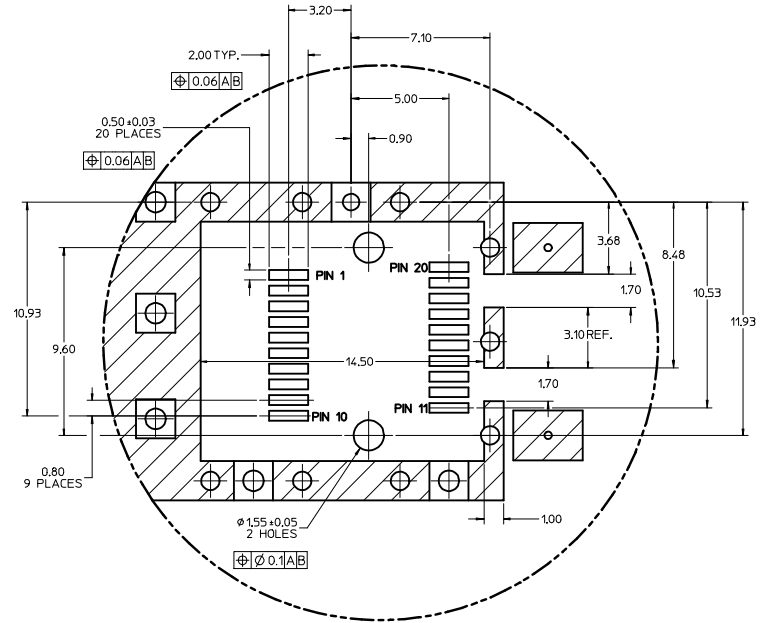
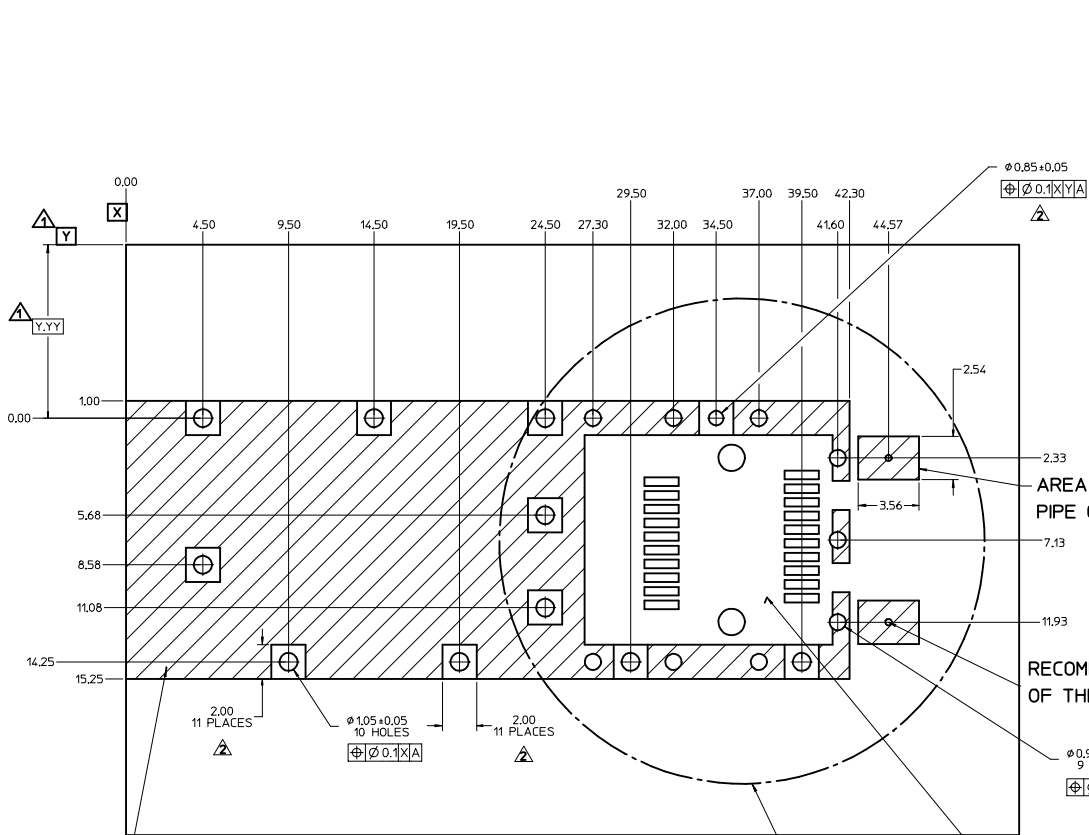


NOTES:

- THIS LIGHT PIPE ASSEMBLY TO BE USED WITH THE FOLLOWING 1X1 SFP CAGE ASSEMBLIES:  
 747370002 - 1X1 SFP CAGE ASSEMBLY W/ SPRING FINGER GASKET (REFER TO DOCUMENT SD-74737-002 FOR DETAILS)  
 747370004 - 1X1 SFP CAGE ASSEMBLY W/ SPRING FINGER GASKET, BELLY-TO-BELLY (REFER TO DOCUMENT SD-74737-004 FOR DETAILS)
- IT IS RECOMMENDED THAT THE CAGE ASSEMBLY BE PRESSED INTO THE PCB PRIOR TO ASSEMBLING THE LIGHT PIPE ASSEMBLY.
- NO RoHS EXEMPTIONS.

<b>SEE REVISION TABLE</b> EC NO: CPG2013-0897 DRWNSWJIA 2012/10/26 CHYKARINE 2012/10/26 APPR:KLOYD 2013/01/17	QUALITY SYMBOLS	GENERAL TOLERANCES (UNLESS SPECIFIED)	DIMENSION STYLE	SCALE	DESIGN UNITS	THIRD ANGLE PROJECTION
	$\nabla=0$ $\nabla=0$ $\nabla=0$	mm INCH 4 PLACES ± --- ± --- 3 PLACES ± --- ± --- 2 PLACES ± 0.13 ± --- 1 PLACE ± 0.25 ± --- 0 PLACE ± ±	MM ONLY	5:1	METRIC	
	DRAWN BY: KSI MONSO CHECKED BY: BRUSSELL APPROVED BY: BRUSSELL	DATE: 2004/07/08 DATE: 2004/07/08 DATE: 2004/07/08	TITLE	1X1 SFP LIGHT PIPE ASSEMBLY, BACK-TOP		
	MATERIAL NO: 747260001 DOCUMENT NO: SD-74726-001	ANGULAR ± 1 ° DRAFT WHERE APPLICABLE MUST REMAIN WITHIN DIMENSIONS		SIZE	THIS DRAWING CONTAINS INFORMATION THAT IS PROPRIETARY TO MOLEX INCORPORATED AND SHOULD NOT BE USED WITHOUT WRITTEN PERMISSION	





Detail1  
SCALE 8:1

CROSS-HATCHED AREA DENOTES COMPONENT AND TRACE KEEP-OUT (EXCEPT CHASSIS GROUND)

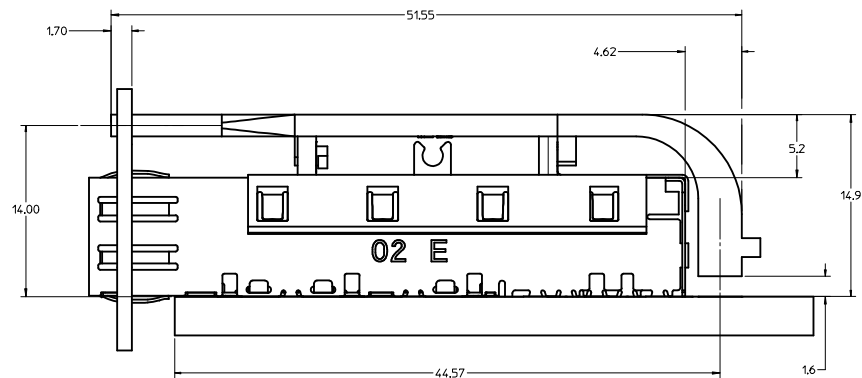
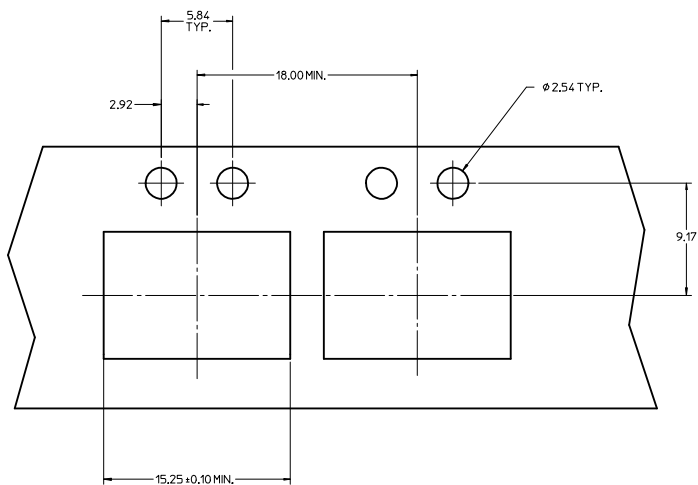
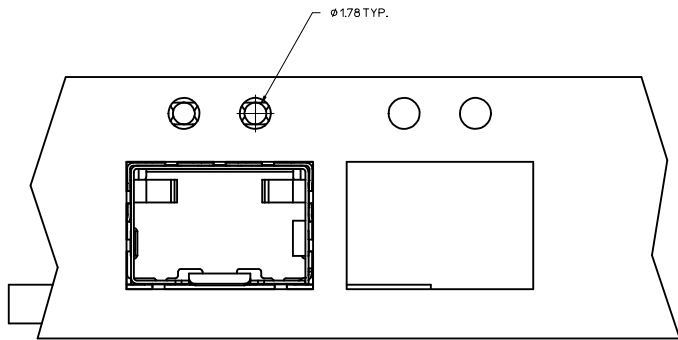
THIS AREA DENOTES COMPONENT KEEP-OUT (TRACES ALLOWED)

- NOTES:
1. PADS AND VIAS CONNECT TO CHASSIS GROUND. RECOMMENDED PADS TO BE 2mm SQUARE.
  2. PLATING OPTIONAL FOR THROUGH HOLES
  3. RECOMMENDED PLATING INCLUDES HASL, IMMERSION (GOLD, SILVER, OR TIN), AND OSP.
  4. HOLE PATTERN REPEATS FOR EACH PORT. SPACING BETWEEN PORTS IS 0.561 [14.25]
  5. CONNECTOR PAD LAYOUT PER SFP MSA. WILL ACCOMODATE MOLEX CONNECTOR SERIES 74441 OR EQUIVALENT.
  6. LEDS SHOULD BE PLACED RELATIVE TO THE SFP CONNECTOR POST HOLES.
  7. DETAILS APPLY TO EACH PORT.

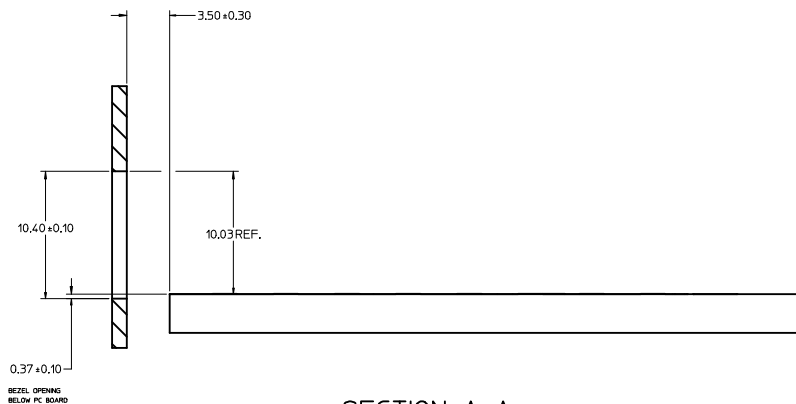
- 1 DATUM AND BASIC DIMENSIONS ESTABLISHED BY CUSTOMER.
- 2 PADS AND VIAS ARE CHASSIS GROUND.
- 3 HOLE LAYOUT SHOWN IS FOR SINGLE SIDED MOUNTING ONLY. BELLY TO BELLY MOUNTING REQUIRES LAYOUT MIRRORED ON OPPOSITE SIDE OF BOARD. CAGE DESIGN AND TRANSCEIVER PROFILE SHOULD BE CONSIDERED IN DETERMINING MINIMUM BOARD THICKNESS IN BELLY TO BELLY MOUNTING.
4. CONNECTOR PAD LAYOUT PER SFP MSA, WILL ACCOMODATE MOLEX CONNECTOR SERIES 74441 OR EQUIVALENT.

<b>SEE REVISION TABLE</b> EC NO: CPG2013-0897 DRAWN BY: DRWNSNAJA 2012/10/26 CHKD BY: CHKDARJWE 2012/10/26 APPR: K LLOYD 2013/01/17	QUALITY SYMBOLS	GENERAL TOLERANCES (UNLESS SPECIFIED)	DIMENSION STYLE	SCALE	DESIGN UNITS	THIRD ANGLE PROJECTION
	▽=0	mm INCH	MM ONLY	8:1	METRIC	☉
	▽=0	4 PLACES ± ---	DRAWN BY: KS IMONSO	DATE: 2004/07/08	TITLE: 1X1 SFP LIGHT PIPE ASSEMBLY, BACK-TOP	
	▽=0	3 PLACES ± ---	CHECKED BY: BRUSSELL	DATE: 2004/07/08	MATERIAL NO. 747260001	
	2 PLACES ± 0.13	1 PLACE ± 0.25	APPROVED BY: BRUSSELL	DATE: 2004/07/08	DOCUMENT NO. SD-74726-001	
	0 PLACES ±	ANGULAR ± 1 °	DRAFT WHERE APPLICABLE MUST REMAIN WITHIN DIMENSIONS		SHEET NO. 2 OF 4	
			THIS DRAWING CONTAINS INFORMATION THAT IS PROPRIETARY TO MOLEX INCORPORATED AND SHOULD NOT BE USED WITHOUT WRITTEN PERMISSION			

20 19 18 17 16 15 14 13 12 11 10 9 8 7 6 5 4 3 2 1



NOTE: MAX LED HEIGHT OF 140/(0.055)



SECTION A-A

SEE REVISION TABLE		QUALITY SYMBOLS		GENERAL TOLERANCES (UNLESS SPECIFIED)		DIMENSION STYLE		SCALE		DESIGN UNITS		THIRD ANGLE PROJECTION	
REV	DESCRIPTION	▽=0	▽=0	mm	INCH	MM ONLY	5:1	METRIC					
1	DRWNSWJJA 2012/10/26	4 PLACES	3 PLACES	± 0.13	± 0.005	DRAWN BY	DATE	TITLE					
2	CHYDARIWE 2012/10/26	2 PLACES	1 PLACE	± 0.25	± 0.005	CHECKED BY	DATE	1X1 SFP LIGHT PIPE ASSEMBLY, BACK-TOP					
3	APPR:KLOYD 2013/01/17	0 PLACE				APPROVED BY	DATE						
						BRUSSELL	2004/07/08						
ANGULAR ± 1 °						MATERIAL NO.		DOCUMENT NO.		SHEET NO.			
DRAFT WHERE APPLICABLE MUST REMAIN WITHIN DIMENSIONS						747260001		SD-74726-001		3 OF 4			
THIS DRAWING CONTAINS INFORMATION THAT IS PROPRIETARY TO MOLEX INCORPORATED AND SHOULD NOT BE USED WITHOUT WRITTEN PERMISSION													

19 18 17 16 15 14 13 12 11 10 9 8 7 6 5 4 3 2 1

