



Chipsmall Limited consists of a professional team with an average of over 10 year of expertise in the distribution of electronic components. Based in Hongkong, we have already established firm and mutual-benefit business relationships with customers from,Europe,America and south Asia,supplying obsolete and hard-to-find components to meet their specific needs.

With the principle of “Quality Parts,Customers Priority,Honest Operation,and Considerate Service”,our business mainly focus on the distribution of electronic components. Line cards we deal with include Microchip,ALPS,ROHM,Xilinx,Pulse,ON,Everlight and Freescale. Main products comprise IC,Modules,Potentiometer,IC Socket,Relay,Connector.Our parts cover such applications as commercial,industrial, and automotives areas.

We are looking forward to setting up business relationship with you and hope to provide you with the best service and solution. Let us make a better world for our industry!



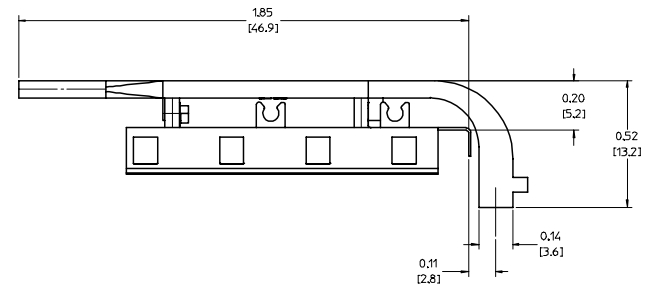
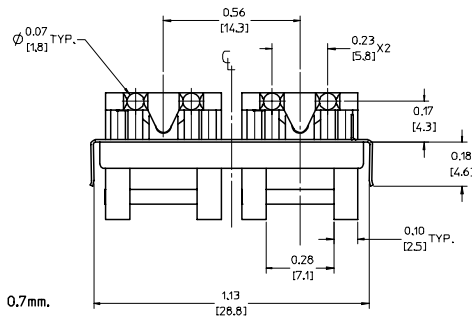
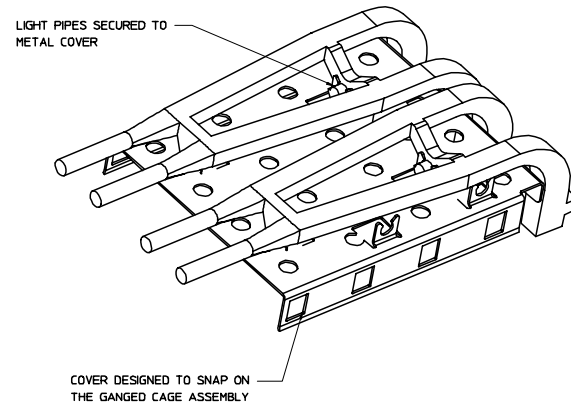
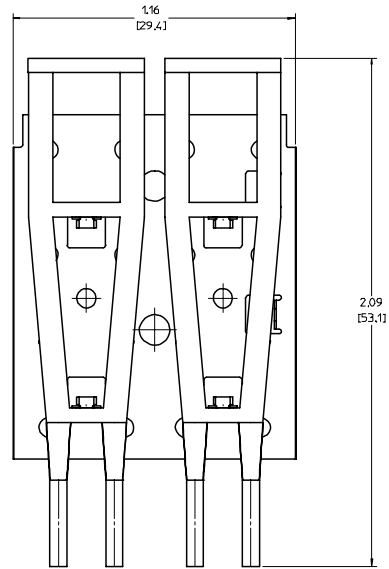
Contact us

Tel: +86-755-8981 8866 Fax: +86-755-8427 6832

Email & Skype: info@chipsmall.com Web: www.chipsmall.com

Address: A1208, Overseas Decoration Building, #122 Zhenhua RD., Futian, Shenzhen, China





NOTES:

1. THIS LIGHT PIPE ASSEMBLY TO BE USED WITH THE FOLLOWING 1X2 GANGED CAGE ASSEMBLIES:

747220001 - 1X2 GANGED CAGE ASSEMBLY W/ PRESS FIT LEGS (REFER TO DOCUMENT SD-74722-001 FOR CAGE DETAILS)

2. IT IS RECOMMENDED THAT THE CAGE ASSEMBLY BE PRESSED INTO THE PCB PRIOR TO ASSEMBLING THE LIGHT PIPE ASSEMBLY.

3. LED'S TO HAVE A MAXIMUM HEIGHT OF 1.4mm AND A MINIMUM HEIGHT 0.7mm.

4. RECOMMENDED LED'S INCLUDE THE FOLLOWING MANUFACTURERS:

- DIALIGHT: 597-77x1-5xx SERIES
- CHICAGO MINIATURE: 7016 SERIES
- KINGBRIGHT: APBL3025 SERIES (BICOLOR)
- APL3015 SERIES (SINGLE COLOR)

5. MATERIAL:

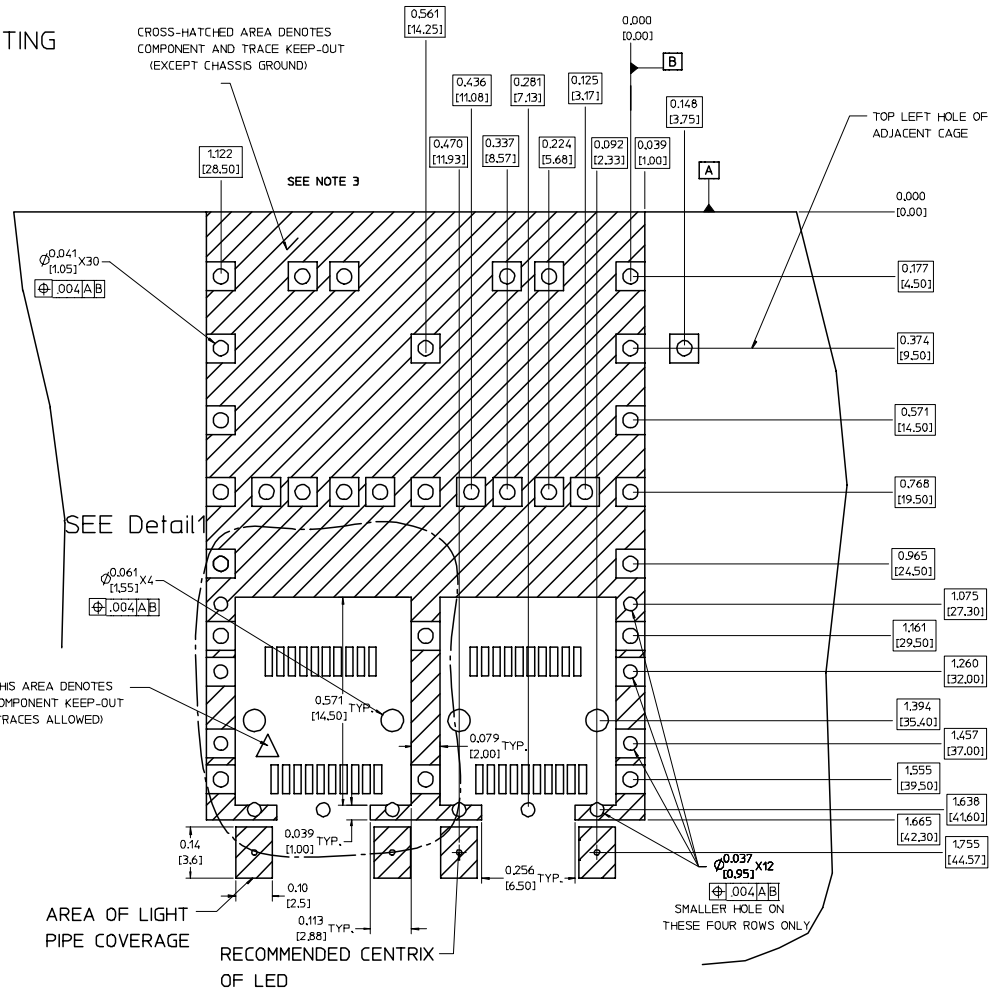
- SHEET METAL COVER: COPPER ALLOY
- LIGHT PIPE: UL94-V2 RATED PLASTIC

6. THIS PART MEETS THE RESTRICTION OF HAZARDOUS SUBSTANCES IN ELECTRICAL AND ELECTRONIC EQUIPMENT (ROHS) DIRECTIVE (2002/95/EC).

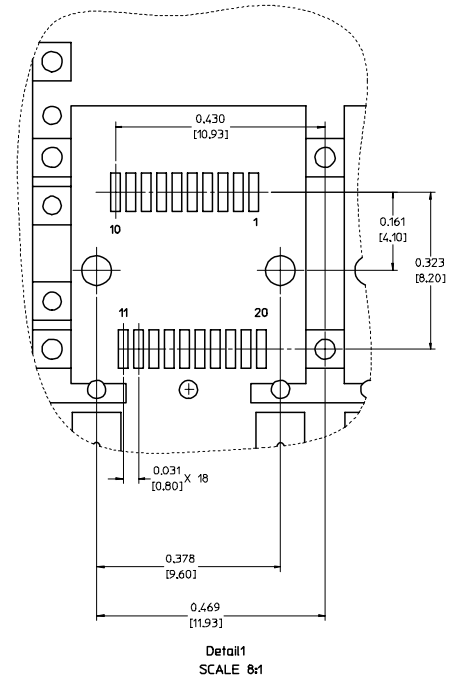
ENTER DESCRIPTION EC NO: USY2008-0195 DRAWN BY: DRWNGHRSR 2007/10/22 CHECKED BY: CHKCRHMOOD 2007/11/01 APPROVED BY: APPRBRHMOOD 2007/11/01 DESCRIPTION:	QUALITY SYMBOLS	GENERAL TOLERANCES (UNLESS SPECIFIED)	DIMENSION STYLE	SCALE	DESIGN UNITS	THIRD ANGLE PROJECTION																	
	$\nabla=0$ $\nabla=0$	<table border="1"> <tr> <th></th> <th>mm</th> <th>INCH</th> </tr> <tr> <td>4 PLACES</td> <td>± .10</td> <td>± .005</td> </tr> <tr> <td>3 PLACES</td> <td>± .13</td> <td>± .01</td> </tr> <tr> <td>2 PLACES</td> <td>± .25</td> <td>± .01</td> </tr> <tr> <td>1 PLACE</td> <td>± .25</td> <td>± .01</td> </tr> <tr> <td>ANGULAR</td> <td colspan="2">± 1 °</td> </tr> </table>		mm	INCH	4 PLACES	± .10	± .005	3 PLACES	± .13	± .01	2 PLACES	± .25	± .01	1 PLACE	± .25	± .01	ANGULAR	± 1 °		IN/MM 4:1	METRIC	
		mm	INCH																				
	4 PLACES	± .10	± .005																				
3 PLACES	± .13	± .01																					
2 PLACES	± .25	± .01																					
1 PLACE	± .25	± .01																					
ANGULAR	± 1 °																						
DRAFT WHERE APPLICABLE MUST REMAIN WITHIN DIMENSIONS	DRAWN BY: KS IMONSO CHECKED BY: BRUSSELL APPROVED BY: BRUSSELL	DATE: 2004/07/08 DATE: 2004/07/08 DATE: 2004/07/08	TITLE: 1X2 SFP LIGHT PIPE ASSEMBLY, BACK-TOP	MATERIAL NO.: 747270001 DOCUMENT NO.: SD-74727-001	SHEET NO.: 1 OF 5																		
THIS DRAWING CONTAINS INFORMATION THAT IS PROPRIETARY TO MOLEX INCORPORATED AND SHOULD NOT BE USED WITHOUT WRITTEN PERMISSION																							

PCB LAYOUT FOR BELLY TO BELLY MOUNTING

CROSS-HATCHED AREA DENOTES
COMPONENT AND TRACE KEEP-OUT
(EXCEPT CHASSIS GROUND)



HOST CONNECTOR DETAIL



Detail1
SCALE 8:1

NOTES:

1. PADS AND VIAS GO TO CHASSIS GROUND.
2. CAGE MOUNTING THRU HOLES (34 PLACES) TO BE PLATED.
3. HOLE PATTERN REPEATS FOR EACH PORT, SPACING BETWEEN PORTS IS .561 [14.25].

ENTER DESCRIPTION EC NO: UST2008-095 DRAWN BY: DRWINCHIRSHY 2007/10/22 CHECKED BY: CHIKORAHMOOD 2007/11/01 APPROVED BY: APRR:RAHMOOD 2007/11/01 REV DESCRIPTION	QUALITY SYMBOLS	GENERAL TOLERANCES (UNLESS SPECIFIED)	DIMENSION STYLE	SCALE	DESIGN UNITS	THIRD ANGLE PROJECTION
	$\nabla=0$ $\nabla=0$	mm INCH 4 PLACES ± --- ± --- 3 PLACES ± --- ± .005 2 PLACES ± 0.13 ± .01 1 PLACE ± 0.25 ± --- ANGULAR ± 1 °	IN/MM	6:1	METRIC	
			DRAWN BY: KS IMONSO CHECKED BY: BRUSSELL APPROVED BY: BRUSSELL	DATE: 2004/07/08 DATE: 2004/07/08 DATE: 2004/07/08		TITLE: 1X2 SFP LIGHT PIPE ASSEMBLY, BACK-TOP
		DRAFT WHERE APPLICABLE MUST REMAIN WITHIN DIMENSIONS	MATERIAL NO: 747270001 SIZE: D	DOCUMENT NO: SD-74727-001		MOLEX INCORPORATED

SHEET NO.
2 OF 5

PCB LAYOUT FOR SINGLE SIDE MOUNTING

CROSS-HATCHED AREA DENOTES
COMPONENT AND TRACE KEEP-OUT
(EXCEPT CHASSIS GROUND)

SEE NOTE 3

TOP LEFT HOLE
OF ADJACENT CAGE

THIS AREA DENOTES
COMPONENT KEEP-OUT
(TRACES ALLOWED)

AREA OF LIGHT
PIPE COVERAGE

RECOMMENDED CENTRIX
OF LED

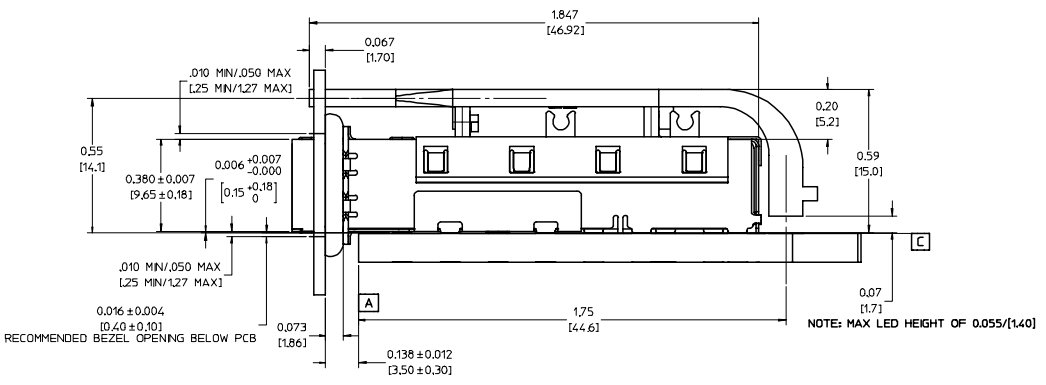
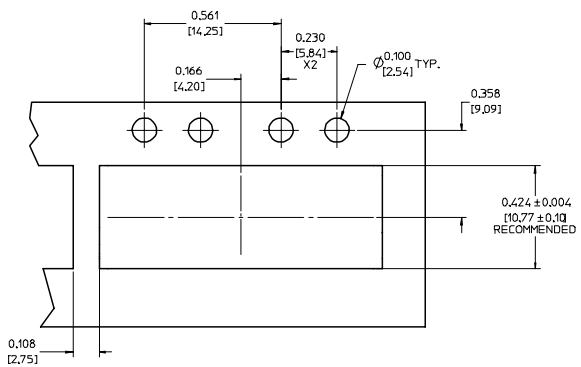
NOTES:

1. PADS AND VIAS GO TO CHASSIS GROUND.
2. CAGE MOUNTING THRU HOLES (19 PLACES) TO BE PLATED.
3. HOLE PATTERN REPEATS FOR EACH PORT.
SPACING BETWEEN PORTS IS .561 [14.25].

ENTER DESCRIPTION EC NO: US72008-0095 DRAWN BY: DRWINCHIRSHY 2007/10/22 CHKDR: RAYWOOD 2007/11/01 APPR: RAYWOOD 2007/11/01 DESCRIPTION:	QUALITY SYMBOLS	GENERAL TOLERANCES (UNLESS SPECIFIED)	DIMENSION STYLE	SCALE	DESIGN UNITS	THIRD ANGLE PROJECTION
	▽=0 ▽=0	4 PLACES ± --- ± --- 3 PLACES ± --- ± .005 2 PLACES ± 0.13 ± .01 1 PLACE ± 0.25 ± --- ANGULAR ± 1 °	IN/MM INCH	6:1	METRIC	DATE: 2004/07/08 DATE: 2004/07/08 DATE: 2004/07/08
	DRAWN BY: KS IMONSO CHECKED BY: BRUSSELL APPROVED BY: BRUSSELL	MATERIAL NO: 747270001 DRAFT WHERE APPLICABLE MUST REMAIN WITHIN DIMENSIONS	IN/MM INCH	DATE: 2004/07/08 DATE: 2004/07/08 DATE: 2004/07/08	TITLE: 1X2 SFP LIGHT PIPE ASSEMBLY, BACK-TOP MOLEX INCORPORATED	DOCUMENT NO: SD-74727-001 SHEET NO: 3 OF 5
	THIS DRAWING CONTAINS INFORMATION THAT IS PROPRIETARY TO MOLEX INCORPORATED AND SHOULD NOT BE USED WITHOUT WRITTEN PERMISSION					

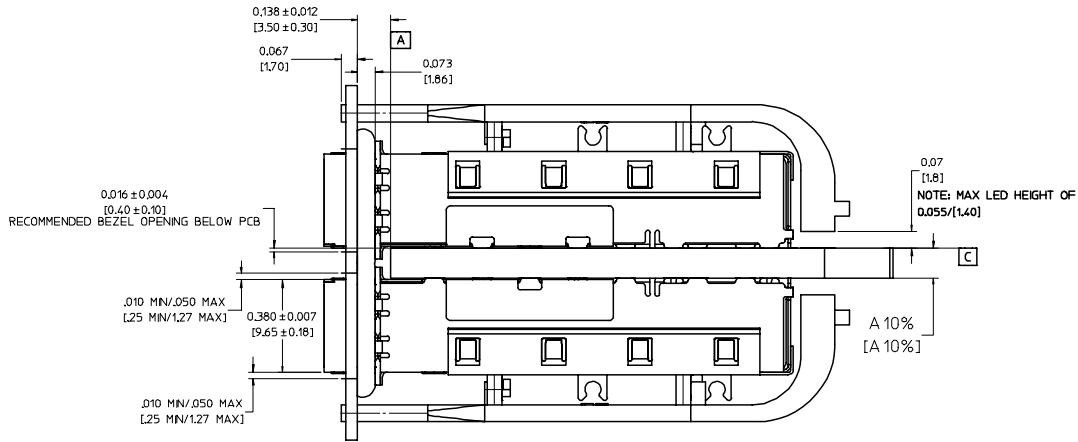
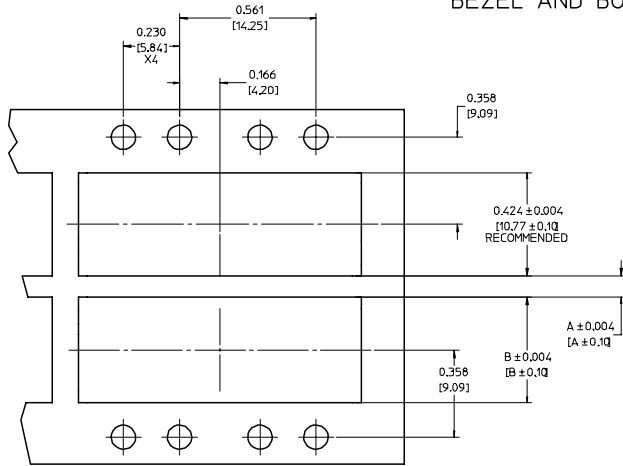
20 19 18 17 16 15 14 13 12 11 10 9 8 7 6 5 4 3 2 1

M
L
K
J
I
H
G
F
E
D
C
B
A



BEZEL AND BOARD POSITION DIMENSIONS FOR SINGLE SIDE MOUNTING

BEZEL AND BOARD POSITION DIMENSIONS FOR BELLY TO BELLY MOUNTING



NOTE: FOR A GIVEN BOARD THICKNESS (A), DIMENSIONS (B) AND (C) ARE DIRECTLY AFFECTED.

USE RECOMMENDED DIMENSIONS AND TOLERANCES TO AID IN DEVELOPING BEZEL OPENING.

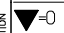
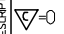


FOR EXAMPLE USING A BOARD THICKNESS OF .125" THE RECOMMENDED VALUES WOULD BE:

- A= .125/3.18 ± 10%
- B= .434/11.03 ± .004
- C= .088/2.23 ± .004

ENTER DESCRIPTION EC NO: UST2008-095 DRAWN BY: DRWINCHIRSHY 2007/10/22 CHECKED BY: CHIKORAHMOOD 2007/11/01 APPROVED BY: APRILRAHMOOD 2007/11/01 REV DESCRIPTION	QUALITY SYMBOLS	GENERAL TOLERANCES (UNLESS SPECIFIED)	DIMENSION STYLE	SCALE	DESIGN UNITS	THIRD ANGLE PROJECTION
	▽=0 ▽=0	4 PLACES ± --- ± --- 3 PLACES ± --- ± .005 2 PLACES ± 0.13 ± .01 1 PLACE ± 0.25 ± --- ANGULAR ± 1 °	IN/MM DATE DATE DATE	4:1	METRIC	
			DRAWN BY: KS IMONSO 2004/07/08 CHECKED BY: BRUSSELL 2004/07/08 APPROVED BY: BRUSSELL 2004/07/08			TITLE 1X2 SFP LIGHT PIPE ASSEMBLY, BACK-TOP
		DRAFT WHERE APPLICABLE MUST REMAIN WITHIN DIMENSIONS	MATERIAL NO: 747270001 DOCUMENT NO: SD-74727-001			MOLEX INCORPORATED SHEET NO: 4 OF 5

19 18 17 16 15 14 13 12 11 10 9 8 7 6 5 4 3 2 1

DATE	REV	CHANGES	COMMENTS
2003/12/09	1	PRELIMINARY DOCUMENT	N/A
2004/07/08	A	INITIAL RELEASE	N/A
2005/06/03	B	CORRECTED P/N FOR DIALIGHT LED. UPDATED DIMENSIONS.	DOCUMENT CHANGE ONLY
2005/06/10	C	UPDATED VIEWS TO SHOW CLEARANCE HOLES ADDED TO THE COVER.	N/A
2007/10/22	D	ADDED COMPONENT MATERIAL INFORMATION TO NOTES SECTION OF SHEET 1	DOCUMENT CHANGE ONLY

ENTER DESCRIPTION EC NO: USY2008-0195 D 2007/10/22 DRWNGH:RSRY CHKDR:RAHMOOD APPR:RAHMOOD 2007/11/01	QUALITY SYMBOLS  = 0  = 0.05	GENERAL TOLERANCES (UNLESS SPECIFIED) <table border="1"> <thead> <tr> <th></th> <th>mm</th> <th>INCH</th> </tr> </thead> <tbody> <tr> <td>4 PLACES</td> <td>± .005</td> <td>± .0005</td> </tr> <tr> <td>3 PLACES</td> <td>± .01</td> <td>± .001</td> </tr> <tr> <td>2 PLACES</td> <td>± 0.13</td> <td>± .01</td> </tr> <tr> <td>1 PLACE</td> <td>± 0.25</td> <td>± .01</td> </tr> <tr> <td>ANGULAR</td> <td colspan="2">± 1 °</td> </tr> </tbody> </table>		mm	INCH	4 PLACES	± .005	± .0005	3 PLACES	± .01	± .001	2 PLACES	± 0.13	± .01	1 PLACE	± 0.25	± .01	ANGULAR	± 1 °		DIMENSION STYLE IN/MM	SCALE 1:1	DESIGN UNITS METRIC	 THIRD ANGLE PROJECTION
				mm	INCH																			
4 PLACES	± .005	± .0005																						
3 PLACES	± .01	± .001																						
2 PLACES	± 0.13	± .01																						
1 PLACE	± 0.25	± .01																						
ANGULAR	± 1 °																							
DRAFT WHERE APPLICABLE MUST REMAIN WITHIN DIMENSIONS	DRAWN BY KS IMONSO	DATE 2004/07/08	CHECKED BY BRUSSELL	DATE 2004/07/08	APPROVED BY BRUSSELL	DATE 2004/07/08																		
MATERIAL NO. 747270001		DOCUMENT NO. SD-74727-001		 MOLEX INCORPORATED		SHEET NO. 5 OF 5																		
THIS DRAWING CONTAINS INFORMATION THAT IS PROPRIETARY TO MOLEX INCORPORATED AND SHOULD NOT BE USED WITHOUT WRITTEN PERMISSION																								