



Chipsmall Limited consists of a professional team with an average of over 10 year of expertise in the distribution of electronic components. Based in Hongkong, we have already established firm and mutual-benefit business relationships with customers from,Europe,America and south Asia,supplying obsolete and hard-to-find components to meet their specific needs.

With the principle of “Quality Parts,Customers Priority,Honest Operation,and Considerate Service”,our business mainly focus on the distribution of electronic components. Line cards we deal with include Microchip,ALPS,ROHM,Xilinx,Pulse,ON,Everlight and Freescale. Main products comprise IC,Modules,Potentiometer,IC Socket,Relay,Connector.Our parts cover such applications as commercial,industrial, and automotives areas.

We are looking forward to setting up business relationship with you and hope to provide you with the best service and solution. Let us make a better world for our industry!



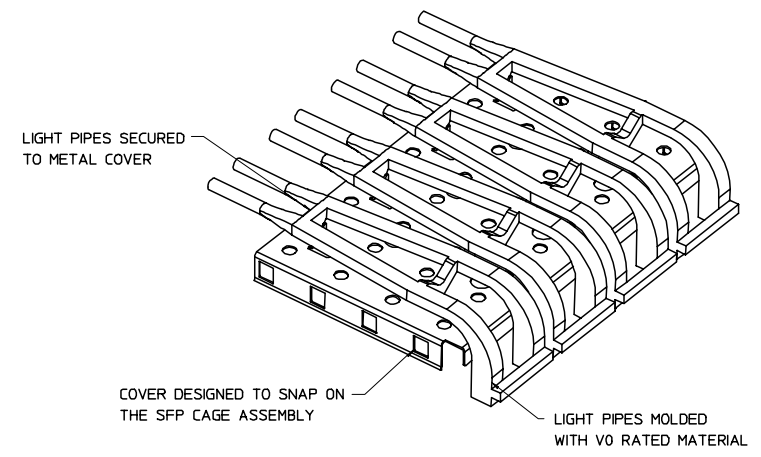
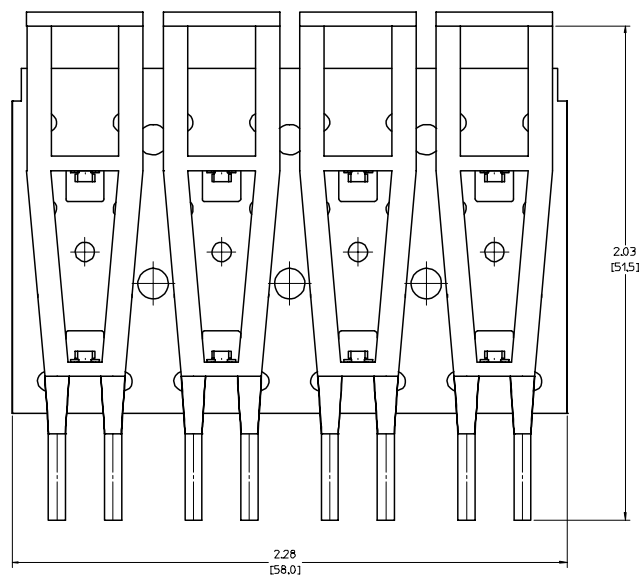
## Contact us

Tel: +86-755-8981 8866 Fax: +86-755-8427 6832

Email & Skype: info@chipsmall.com Web: www.chipsmall.com

Address: A1208, Overseas Decoration Building, #122 Zhenhua RD., Futian, Shenzhen, China





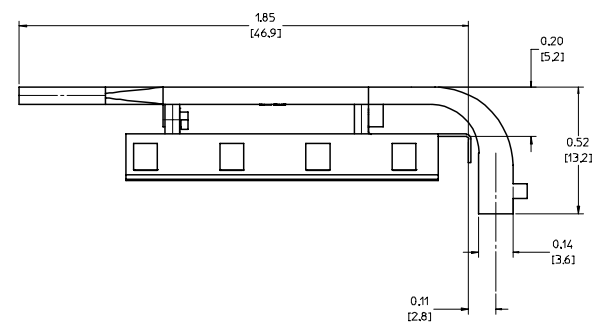
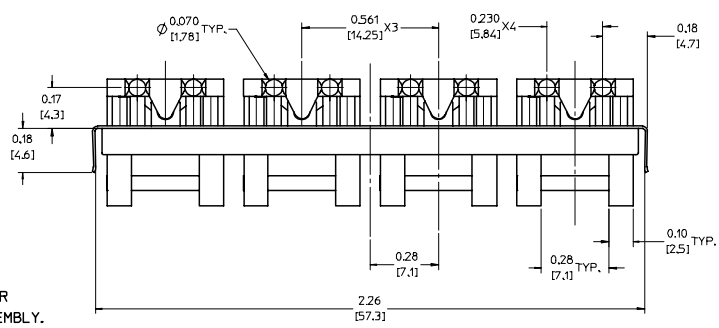
**NOTES:**  
 1. THIS LIGHT PIPE ASSEMBLY TO BE USED WITH THE FOLLOWING 1X4 SFP CAGE ASSEMBLIES:

- 747280411 - 1X4 SFP CAGE ASSEMBLY W/ PRESS FIT PINS, W/ 0.090 GASKET, F/ LIGHT PIPES (REFER TO DOCUMENT SD-74728-411)
- 747280412 - 1X4 SFP CAGE ASSEMBLY W/ SOLDER POSTS, W/ 0.103 GASKET, F/ LIGHT PIPES (REFER TO DOCUMENT SD-74728-412)
- 747280415 - 1X4 SFP CAGE ASSEMBLY W/ PRESS FIT PINS, W/ 0.0103 GASKET, F/ LIGHT PIPES (REFER TO DOCUMENT SD-74728-415)

- 2. IT IS RECOMMENDED THAT THE CAGE ASSEMBLY BE PRESSED INTO OR SOLDERED TO THE PCB PRIOR TO ASSEMBLING THE LIGHT PIPE ASSEMBLY.
- 3. LED'S TO HAVE A MAXIMUM HEIGHT OF 1.4mm AND A MINIMUM HEIGHT OF 0.7mm
- 4. RECOMMENDED LED'S INCLUDE THE FOLLOWING MANUFACTURES:

- DIALIGHT: 597-77x1-5xx SERIES
- CHICAGO MINIATURE: 7016 SERIES
- KINGBRIGHT: APLB3025 SERIES (BICOLOR)  
APL3015 SERIES (SINGLE COLOR)

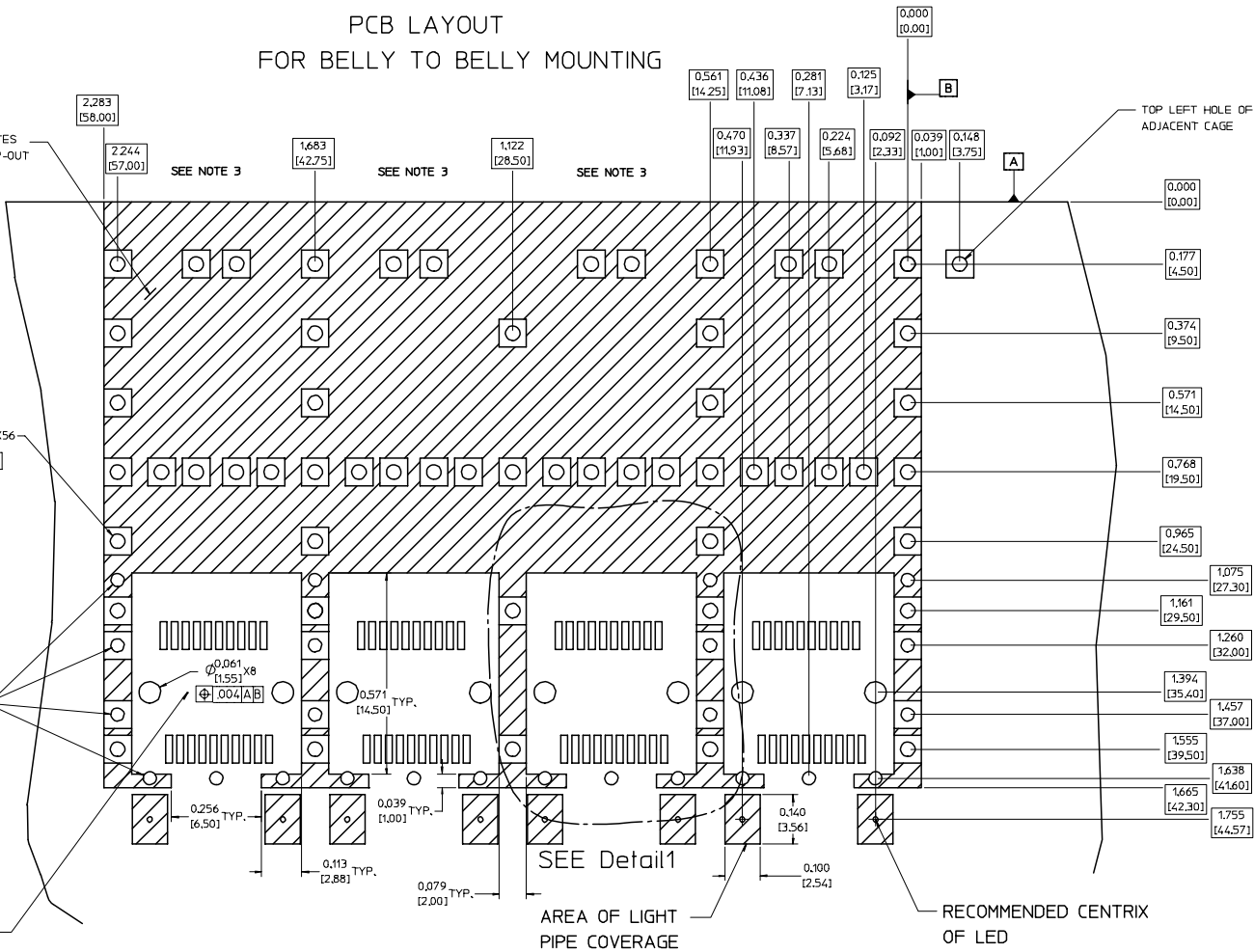
5. THIS PART MEETS THE RESTRICTION OF HAZARDOUS SUBSTANCES IN ELECTRICAL AND ELECTRONIC EQUIPMENT (ROHS) DIRECTIVE (2002/95/EC).



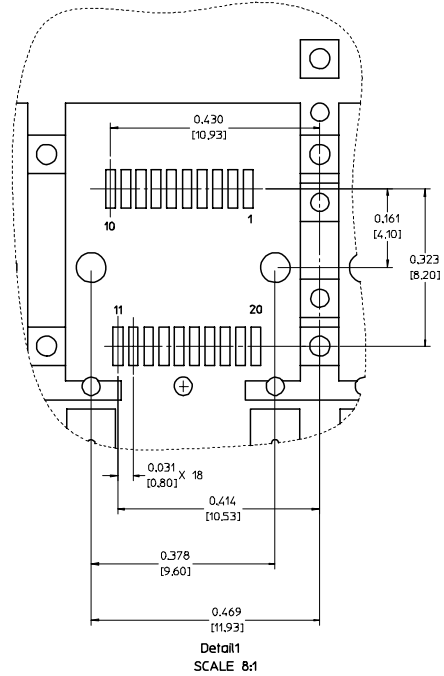
<b>ENTER DESCRIPTION</b> EC NO: UST2006-0008 DRAWN BY: DRANKS MONSON 2005/07/15 CHECKED BY: CHUCK BRUSSELL 2005/07/15 APPROVED BY: BRUSSELL 2005/07/25 DESCRIPTION:	QUALITY SYMBOLS	GENERAL TOLERANCES (UNLESS SPECIFIED)	DIMENSION STYLE	SCALE	DESIGN UNITS	THIRD ANGLE PROJECTION
	▽=0 ▽=0.1	mm INCH 4 PLACES ± --- ± --- 3 PLACES ± --- ± .005 2 PLACES ± 0.13 ± .01 1 PLACE ± 0.25 ± --- ANGULAR ± 1 °	IN/MM DRAWN BY: KS IMONSO 2004/07/08 CHECKED BY: BRUSSELL 2004/07/08 APPROVED BY: BRUSSELL 2004/07/08	4:1	METRIC	TITLE: 1X4 SFP LIGHT PIPE ASSEMBLY, BACK-TOP MOLEX INCORPORATED
	DRAFT WHERE APPLICABLE MUST REMAIN WITHIN DIMENSIONS	MATERIAL NO: 747280001	DOCUMENT NO: SD-74728-001	SHEET NO: 1 OF 5		
	SIZE: D	THIS DRAWING CONTAINS INFORMATION THAT IS PROPRIETARY TO MOLEX INCORPORATED AND SHOULD NOT BE USED WITHOUT WRITTEN PERMISSION				

# PCB LAYOUT FOR BELLY TO BELLY MOUNTING

CROSS-HATCHED AREA DENOTES  
COMPONENT AND TRACE KEEP-OUT  
(EXCEPT CHASSIS GROUND)



## HOST CONNECTOR DETAIL



- NOTES:**
- PADS AND VIAS GO TO CHASSIS GROUND. (64 PLACES). RECOMMENDED PADS TO BE 2mm SQUARE.
  - PLATING OPTIONAL FOR THROUGH HOLES. (16 PLACES).
  - RECOMMENDED PLATING INCLUDES HASL, IMMERSION (GOLD OR SILVER), AND OSP.
  - HOLE PATTERN REPEATS FOR EACH PORT. SPACING BETWEEN PORTS IS 5.61 [14.25].

<b>ENTER DESCRIPTION</b> EC NO: UST2006-0008 DRWKS:IMONSON 2005/07/15 CHKD:BRUSSELL 2005/07/15 APPR:BRUSSELL 2005/07/25	QUALITY SYMBOLS	GENERAL TOLERANCES (UNLESS SPECIFIED)	DIMENSION STYLE	SCALE	DESIGN UNITS	THIRD ANGLE PROJECTION
	$\nabla=0$ $\nabla=0$	mm INCH 4 PLACES ± --- ± --- 3 PLACES ± --- ± .005 2 PLACES ± 0.13 ± .01 1 PLACE ± 0.25 ± --- ANGULAR ± 1 °	IN/MM DRAWN BY DATE KS IMONSON 2004/07/08 CHECKED BY DATE BRUSSELL 2004/07/08 APPROVED BY DATE BRUSSELL 2004/07/08	6:1	METRIC	TITLE 1X4 SFP LIGHT PIPE ASSEMBLY, BACK-TOP MOLEX INCORPORATED
	DRAFT WHERE APPLICABLE MUST REMAIN WITHIN DIMENSIONS	MATERIAL NO: 747280001	DOCUMENT NO: SD-74728-001	SHEET NO. 2 OF 5		
	THIS DRAWING CONTAINS INFORMATION THAT IS PROPRIETARY TO MOLEX INCORPORATED AND SHOULD NOT BE USED WITHOUT WRITTEN PERMISSION					

# PCB LAYOUT FOR SINGLE SIDE MOUNTING

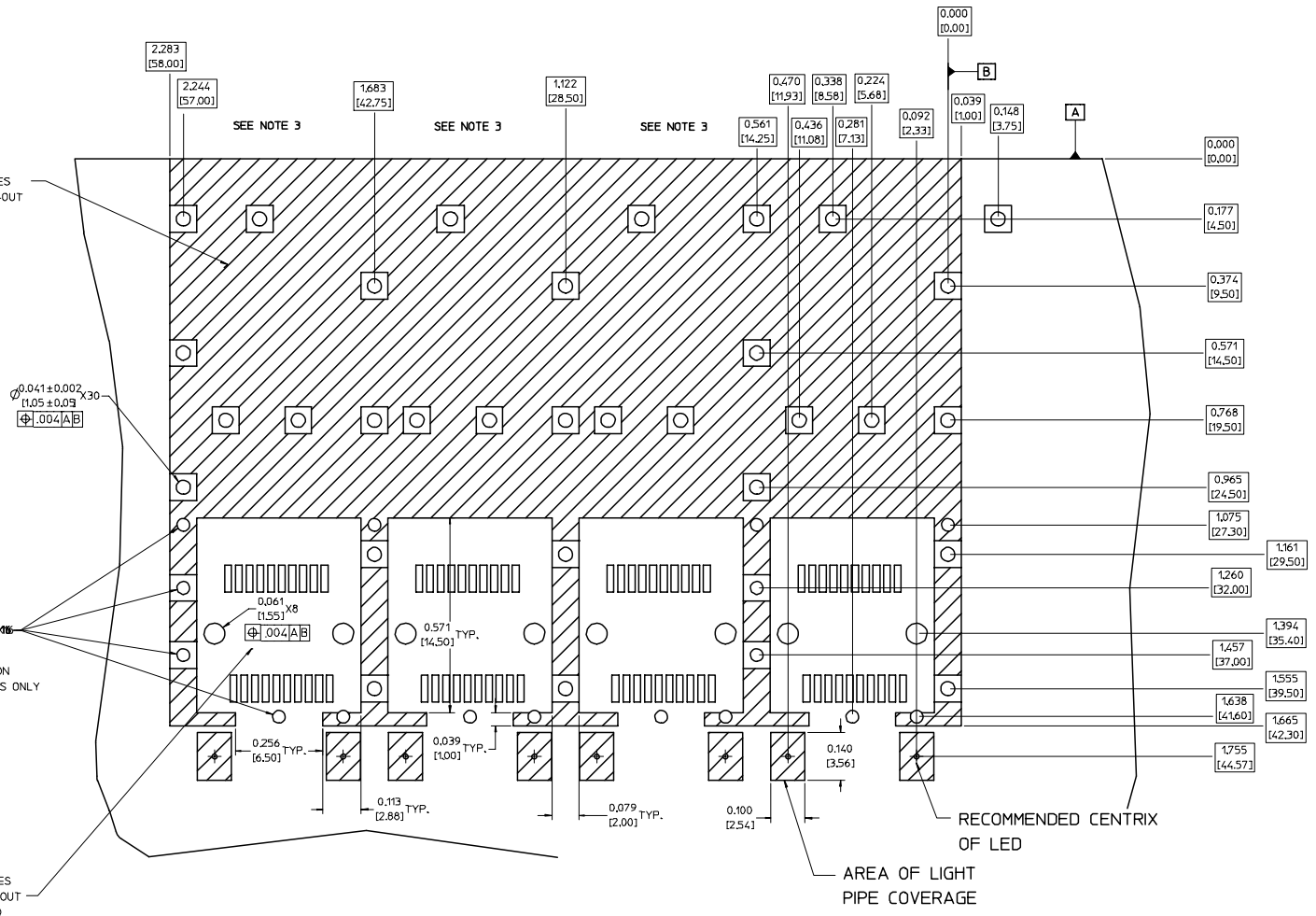
CROSS-HATCHED AREA DENOTES  
COMPONENT AND TRACE KEEP-OUT  
(EXCEPT CHASSIS GROUND)

$\varnothing 0.037 \pm 0.002$   
 $10.95 \pm 0.03$   
 $\Phi 0.004 [A/B]$   
SMALLER HOLE ON  
THESE FOUR ROWS ONLY

THIS AREA DENOTES  
COMPONENT KEEP-OUT  
(TRACES ALLOWED)

### NOTES:

1. PADS AND VIAS GO TO CHASSIS GROUND. (34 PLACES). RECOMMENDED PADS TO BE 2mm SQUARE.
2. PLATING OPTIONAL FOR THROUGH HOLES. (12 PLACES).
3. RECOMMENDED PLATING INCLUDES HASL, IMMERSION (GOLD OR SILVER), AND OSP.
4. HOLE PATTERN REPEATS FOR EACH PORT. SPACING BETWEEN PORTS IS 5.61 [14.25].

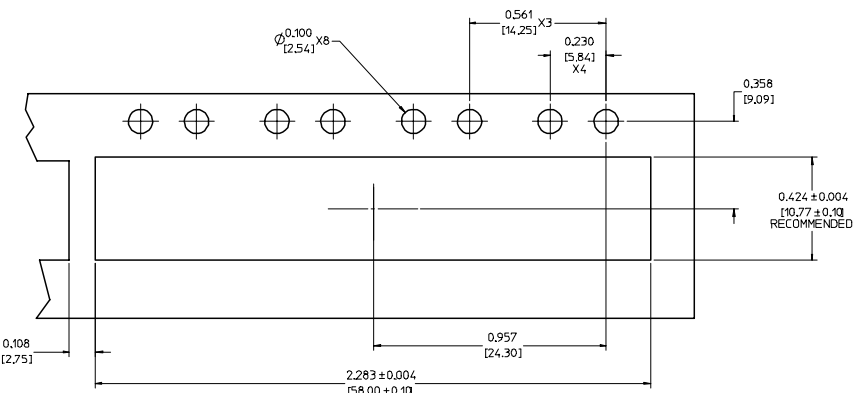


<b>ENTER DESCRIPTION</b> EC NO: UST2006-0008 DR: DRINKS/IMONSON 2005/07/15 CHK: BRUSSELL 2005/07/15 APPR: BRUSSELL 2005/07/25 REV	QUALITY SYMBOLS ▽=0 ▽=0	GENERAL TOLERANCES (UNLESS SPECIFIED) <table border="1"> <tr> <th></th> <th>mm</th> <th>INCH</th> </tr> <tr> <td>4 PLACES ±</td> <td>± 0.13</td> <td>± 0.01</td> </tr> <tr> <td>3 PLACES ±</td> <td>± 0.25</td> <td>± 0.01</td> </tr> <tr> <td>2 PLACES ±</td> <td>± 0.25</td> <td>± 0.01</td> </tr> <tr> <td>1 PLACE ±</td> <td>± 0.25</td> <td>± 0.01</td> </tr> <tr> <td>ANGULAR</td> <td colspan="2">± 1°</td> </tr> </table>		mm	INCH	4 PLACES ±	± 0.13	± 0.01	3 PLACES ±	± 0.25	± 0.01	2 PLACES ±	± 0.25	± 0.01	1 PLACE ±	± 0.25	± 0.01	ANGULAR	± 1°		DIMENSION STYLE IN/MM	SCALE 6:1	DESIGN UNITS METRIC	THIRD ANGLE PROJECTION
		mm	INCH																					
	4 PLACES ±	± 0.13	± 0.01																					
	3 PLACES ±	± 0.25	± 0.01																					
2 PLACES ±	± 0.25	± 0.01																						
1 PLACE ±	± 0.25	± 0.01																						
ANGULAR	± 1°																							
DRAWN BY KS IMONSON DATE 2004/07/08	CHECKED BY BRUSSELL DATE 2004/07/08	APPROVED BY BRUSSELL DATE 2004/07/08	TITLE 1X4 SFP LIGHT PIPE ASSEMBLY, BACK-TOP	MATERIAL NO. 747280001	DOCUMENT NO. SD-74728-001	SHEET NO. 3 OF 5																		
DRAFT WHERE APPLICABLE MUST REMAIN WITHIN DIMENSIONS			THIS DRAWING CONTAINS INFORMATION THAT IS PROPRIETARY TO MOLEX INCORPORATED AND SHOULD NOT BE USED WITHOUT WRITTEN PERMISSION																					
MOLEX INCORPORATED																								

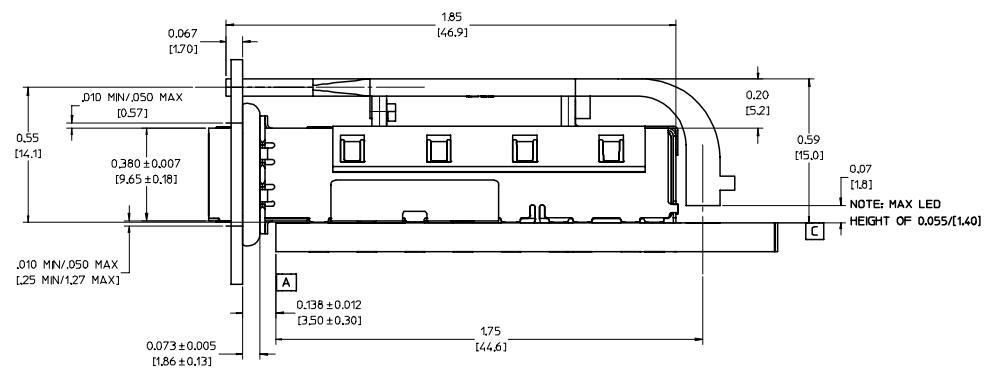
20 19 18 17 16 15 14 13 12 11 10 9 8 7 6 5 4 3 2 1

M  
L  
K  
J  
I  
H  
G  
F  
E  
D  
C  
B  
A

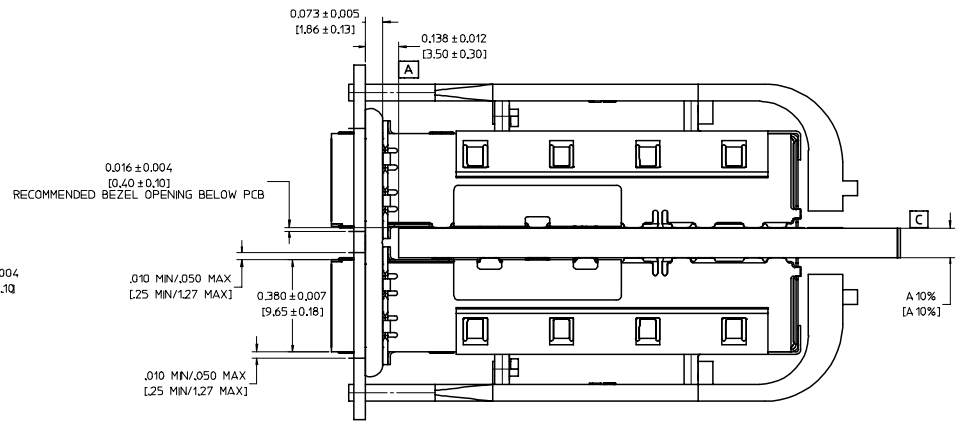
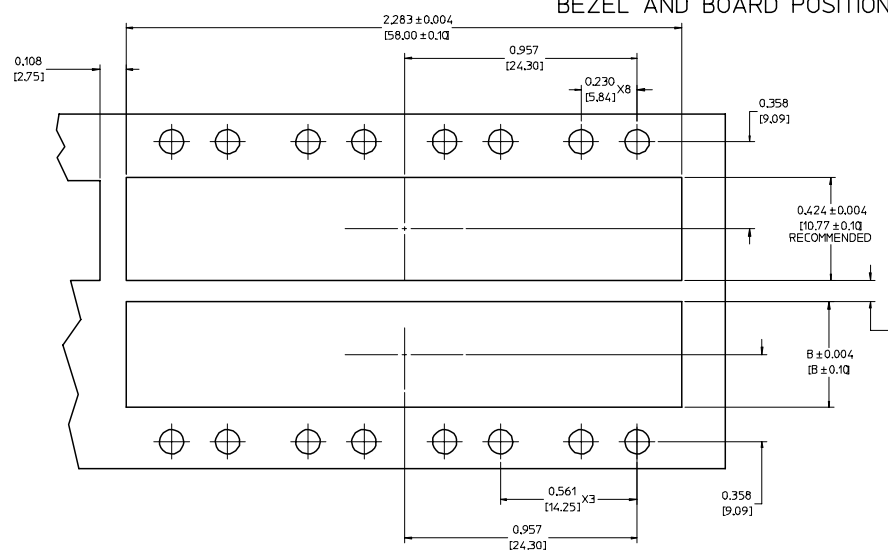
M  
L  
K  
J  
I  
H  
G  
F  
E  
D  
C  
B  
A



BEZEL AND BOARD POSITION DIMENSIONS FOR SINGLE SIDE MOUNTING



BEZEL AND BOARD POSITION DIMENSIONS FOR BELLY TO BELLY MOUNTING



NOTE: FOR A GIVEN BOARD THICKNESS (A), DIMENSIONS (B) AND (C) ARE DIRECTLY AFFECTED.

USE RECOMMENDED DIMENSIONS AND TOLERANCES TO AID IN DEVELOPING BEZEL OPENING.

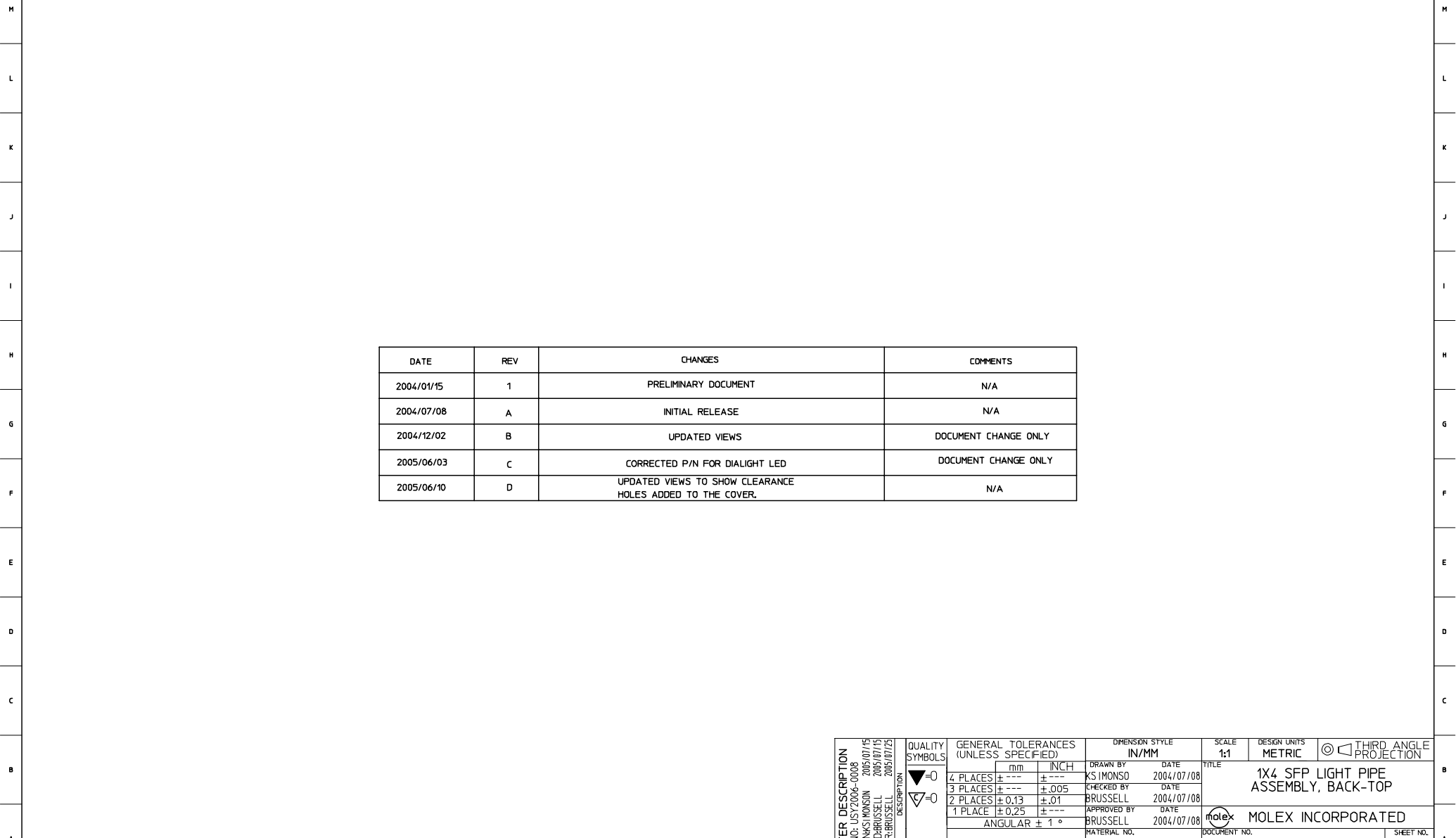
FOR EXAMPLE USING A BOARD THICKNESS OF .125" THE RECOMMENDED VALUES WOULD BE:

- A = .125/3.18 ± 10%
- B = .434/11.03 ± .004
- C = .088/2.23 ± .004

<b>ENTER DESCRIPTION</b> EC NO: UST2006-0008 DRINKS MONSON 2005/07/15 CHUCK BRUSSELL 2005/07/15 APPR: BRUSSELL 2005/07/25	QUALITY SYMBOLS ▽=0 ▽=0	GENERAL TOLERANCES (UNLESS SPECIFIED) <table border="1"> <tr> <th></th> <th>mm</th> <th>INCH</th> </tr> <tr> <td>4 PLACES ±</td> <td>---</td> <td>±---</td> </tr> <tr> <td>3 PLACES ±</td> <td>---</td> <td>±.005</td> </tr> <tr> <td>2 PLACES ±</td> <td>0.13</td> <td>±.01</td> </tr> <tr> <td>1 PLACE ±</td> <td>0.25</td> <td>±---</td> </tr> <tr> <td colspan="3">ANGULAR ± 1°</td> </tr> </table>		mm	INCH	4 PLACES ±	---	±---	3 PLACES ±	---	±.005	2 PLACES ±	0.13	±.01	1 PLACE ±	0.25	±---	ANGULAR ± 1°			DIMENSION STYLE IN/MM	SCALE 4:1	DESIGN UNITS METRIC	THIRD ANGLE PROJECTION
		mm	INCH																					
	4 PLACES ±	---	±---																					
	3 PLACES ±	---	±.005																					
2 PLACES ±	0.13	±.01																						
1 PLACE ±	0.25	±---																						
ANGULAR ± 1°																								
DRAWN BY KS IMONSO	DATE 2004/07/08	CHECKED BY BRUSSELL	DATE 2004/07/08	TITLE 1X4 SFP LIGHT PIPE ASSEMBLY, BACK-TOP																				
APPROVED BY BRUSSELL	DATE 2004/07/08	MATERIAL NO. 747280001			DOCUMENT NO. SD-74728-001	SHEET NO. 4 OF 5																		
DRAFT WHERE APPLICABLE MUST REMAIN WITHIN DIMENSIONS		THIS DRAWING CONTAINS INFORMATION THAT IS PROPRIETARY TO MOLEX INCORPORATED AND SHOULD NOT BE USED WITHOUT WRITTEN PERMISSION																						

19 18 17 16 15 14 13 12 11 10 9 8 7 6 5 4 3 2 1

20 19 18 17 16 15 14 13 12 11 10 9 8 7 6 5 4 3 2 1



DATE	REV	CHANGES	COMMENTS
2004/01/15	1	PRELIMINARY DOCUMENT	N/A
2004/07/08	A	INITIAL RELEASE	N/A
2004/12/02	B	UPDATED VIEWS	DOCUMENT CHANGE ONLY
2005/06/03	C	CORRECTED P/N FOR DIALIGHT LED	DOCUMENT CHANGE ONLY
2005/06/10	D	UPDATED VIEWS TO SHOW CLEARANCE HOLES ADDED TO THE COVER.	N/A

<b>ENTER DESCRIPTION</b> EC NO: UST2006-0008 D DRWNSKIMONSON 2005/07/15 CHK:CBRUSSELL 2005/07/15 APPR:BRUSSELL 2005/07/25 REV DESCRIPTION	QUALITY SYMBOLS ▽=0 ▽=0	GENERAL TOLERANCES (UNLESS SPECIFIED) <table border="1"> <tr> <th></th> <th>mm</th> <th>INCH</th> </tr> <tr> <td>4 PLACES ± ---</td> <td>± ---</td> <td>± ---</td> </tr> <tr> <td>3 PLACES ± ---</td> <td>± .005</td> <td>± .005</td> </tr> <tr> <td>2 PLACES ± 0.13</td> <td>± .01</td> <td>± .01</td> </tr> <tr> <td>1 PLACE ± 0.25</td> <td>± ---</td> <td>± ---</td> </tr> <tr> <td>ANGULAR</td> <td>± 1 °</td> <td></td> </tr> </table>		mm	INCH	4 PLACES ± ---	± ---	± ---	3 PLACES ± ---	± .005	± .005	2 PLACES ± 0.13	± .01	± .01	1 PLACE ± 0.25	± ---	± ---	ANGULAR	± 1 °		DIMENSION STYLE IN/MM	SCALE 1:1	DESIGN UNITS METRIC	THIRD ANGLE PROJECTION
		mm	INCH																					
	4 PLACES ± ---	± ---	± ---																					
	3 PLACES ± ---	± .005	± .005																					
2 PLACES ± 0.13	± .01	± .01																						
1 PLACE ± 0.25	± ---	± ---																						
ANGULAR	± 1 °																							
		DRAWN BY KS IMONSO	DATE 2004/07/08	TITLE 1X4 SFP LIGHT PIPE ASSEMBLY, BACK-TOP																				
		CHECKED BY BRUSSELL	DATE 2004/07/08	Molex MOLEX INCORPORATED																				
		APPROVED BY BRUSSELL	DATE 2004/07/08	MATERIAL NO. 747280001	DOCUMENT NO. SD-74728-001	SHEET NO. 5 OF 5																		

19 18 17 16 15 14 13 12 11 10 9 8 7 6 5 4 3 2 1