



Chipsmall Limited consists of a professional team with an average of over 10 year of expertise in the distribution of electronic components. Based in Hongkong, we have already established firm and mutual-benefit business relationships with customers from,Europe,America and south Asia,supplying obsolete and hard-to-find components to meet their specific needs.

With the principle of “Quality Parts,Customers Priority,Honest Operation,and Considerate Service”,our business mainly focus on the distribution of electronic components. Line cards we deal with include Microchip,ALPS,ROHM,Xilinx,Pulse,ON,Everlight and Freescale. Main products comprise IC,Modules,Potentiometer,IC Socket,Relay,Connector.Our parts cover such applications as commercial,industrial, and automotives areas.

We are looking forward to setting up business relationship with you and hope to provide you with the best service and solution. Let us make a better world for our industry!



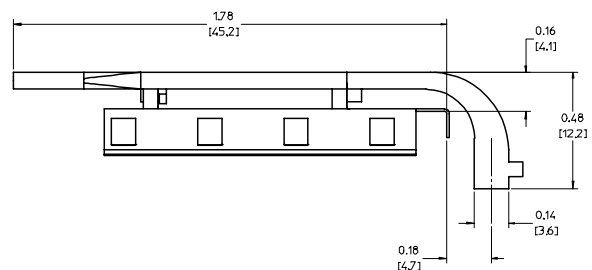
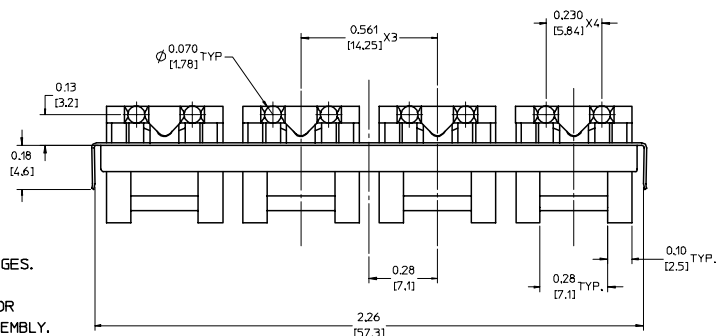
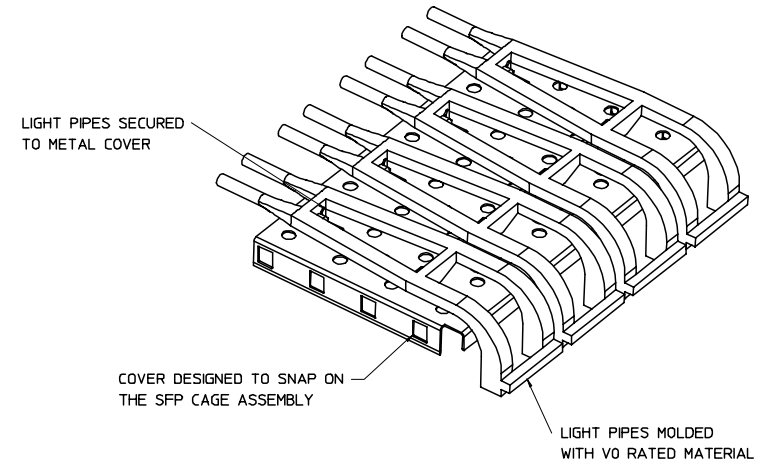
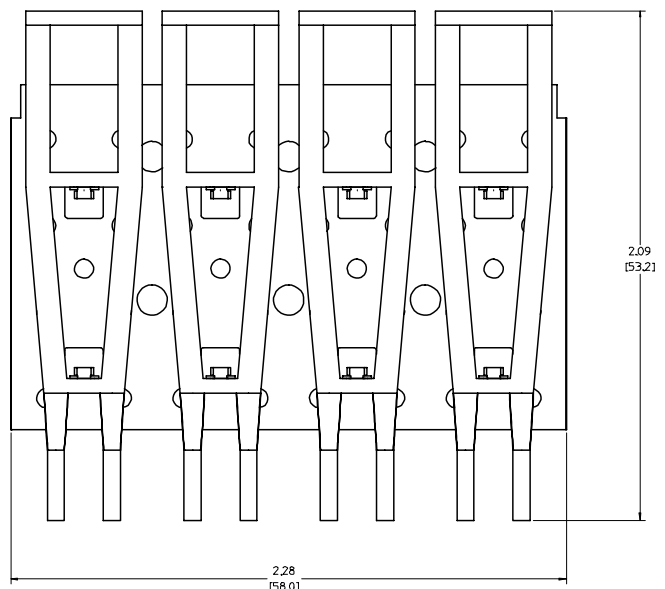
## Contact us

Tel: +86-755-8981 8866 Fax: +86-755-8427 6832

Email & Skype: info@chipsmall.com Web: www.chipsmall.com

Address: A1208, Overseas Decoration Building, #122 Zhenhua RD., Futian, Shenzhen, China





NOTES:

1. THIS LIGHT PIPE ASSEMBLY TO BE USED WITH SERIES 74728, 1X4 CAGES.
2. IT IS RECOMMENDED THAT THE CAGE ASSEMBLY BE PRESSED INTO OR SOLDERED TO THE PCB PRIOR TO ASSEMBLING THE LIGHT PIPE ASSEMBLY.
3. LED'S TO HAVE A MAXIMUM HEIGHT OF 1.4mm AND A MINIMUM HEIGHT OF 0.7mm
4. RECOMMENDED LED'S INCLUDE THE FOLLOWING MANUFACTURES:

- DIALIGHT: 597-77x1-5xx SERIES
- CHICAGO MINIATURE: 7016 SERIES
- KINGBRIGHT: APBL3025 SERIES (BICOLOR)  
APL3015 SERIES (SINGLE COLOR)

5. THIS PART MEETS THE RESTRICTION OF HAZARDOUS SUBSTANCES IN ELECTRICAL AND ELECTRONIC EQUIPMENT (ROHS) DIRECTIVE (2002/95/EC).

<b>ENTER DESCRIPTION</b> EC NO: UST2006-0124 DRAWN BY: DRINKS MONSON 2005/11/05 CHECKED BY: CHFKBRUSSELL 2005/11/05 APPR: BRUSSELL 2005/11/16 A	QUALITY SYMBOLS	GENERAL TOLERANCES (UNLESS SPECIFIED)		DIMENSION STYLE		SCALE	DESIGN UNITS	THIRD ANGLE PROJECTION
	$\nabla=0$ $\nabla=0$	mm	INCH	IN/MM		4:1	METRIC	
		4 PLACES ± .005	± .005	DRAWN BY	DATE	TITLE		
		3 PLACES ± .013	± .01	CHECKED BY	DATE	1X4 SFP LIGHT PIPE COVER ASSEMBLY, LOW PROFILE		
	2 PLACES ± 0.25	± .01	APPROVED BY	DATE	MOLEX INCORPORATED			
	1 PLACE ± 0.25	± .01	BRUSSELL	2005/11/05	MATERIAL NO. 747280002			
	ANGULAR ± 1°				DOCUMENT NO. SD-74728-002			
			DRAFT WHERE APPLICABLE MUST REMAIN WITHIN DIMENSIONS		SIZE D		SHEET NO. 1 OF 5	
THIS DRAWING CONTAINS INFORMATION THAT IS PROPRIETARY TO MOLEX INCORPORATED AND SHOULD NOT BE USED WITHOUT WRITTEN PERMISSION								

# PCB LAYOUT FOR BELLY TO BELLY MOUNTING

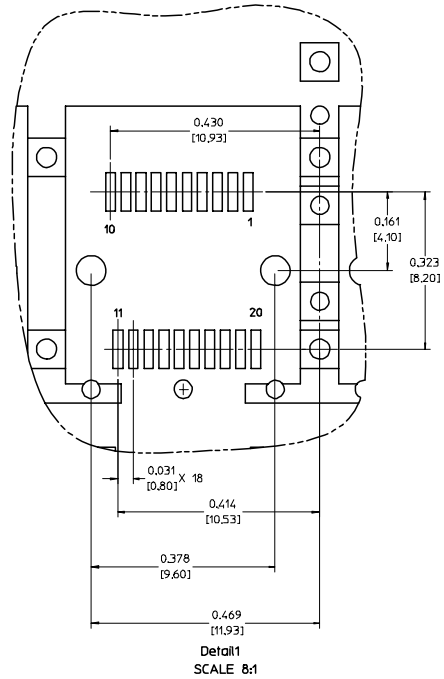
CROSS-HATCHED AREA DENOTES COMPONENT AND TRACE KEEP-OUT (EXCEPT CHASSIS GROUND)

SEE NOTE 4

SEE NOTE 4

SEE NOTE 4

## HOST CONNECTOR DETAIL



Detail1  
SCALE 8:1

$\varnothing 0.041 \pm 0.002$   
[1.05 ± 0.05] X56  
 $\varnothing .004 [A|B]$

$\varnothing 0.037 \pm 0.002$   
[0.95 ± 0.05] X24  
 $\varnothing .004 [A|B]$   
SMALLER HOLE ON THESE FOUR ROWS ONLY

THIS AREA DENOTES COMPONENT KEEP-OUT (TRACES ALLOWED)

SEE Detail1

AREA OF LIGHT PIPE COVERAGE

RECOMMENDED CENTRIX OF LED

### NOTES:

- PADS AND VIAS GO TO CHASSIS GROUND. (64 PLACES). RECOMMENDED PADS TO BE 2mm SQUARE.
- PLATING OPTIONAL FOR THROUGH HOLES. (16 PLACES).
- RECOMMENDED PLATING INCLUDES HASL, IMMERSION (GOLD OR SILVER), AND OSP.
- HOLE PATTERN REPEATS FOR EACH PORT. SPACING BETWEEN PORTS IS 5.61 [14.25].

ENTER DESCRIPTION EC NO: UST2006-0724 DRAWN BY: DRINKS MONSON 2005/11/05 CHKD BY: CHFKBRUSSELL 2005/11/05 APPR: BRUSSELL 2005/11/16	QUALITY SYMBOLS ▽=0 ▽=0	GENERAL TOLERANCES (UNLESS SPECIFIED)		DIMENSION STYLE		SCALE 6:1	DESIGN UNITS METRIC	THIRD ANGLE PROJECTION	
		mm	INCH	IN/MM	DATE				
DRAWING NO: 747280002 DOCUMENT NO: SD-74728-002 SHEET NO: 2 OF 5	4 PLACES ± --- ± ---	3 PLACES ± --- ± .005	2 PLACES ± 0.13 ± .01	1 PLACE ± 0.25 ± ---	DRAWN BY: KS IMONSO 2005/11/05	CHECKED BY: BRUSSELL 2005/11/05	TITLE 1X4 SFP LIGHT PIPE COVER ASSEMBLY, LOW PROFILE		
	ANGULAR ± 1 °				APPROVED BY: BRUSSELL 2005/11/05	MATERIAL NO. DOCUMENT NO. SHEET NO.			
	DRAFT WHERE APPLICABLE MUST REMAIN WITHIN DIMENSIONS				THIS DRAWING CONTAINS INFORMATION THAT IS PROPRIETARY TO MOLEX INCORPORATED AND SHOULD NOT BE USED WITHOUT WRITTEN PERMISSION				
	MOLEX INCORPORATED								

# PCB LAYOUT FOR SINGLE SIDE MOUNTING

CROSS-HATCHED AREA DENOTES  
COMPONENT AND TRACE KEEP-OUT  
(EXCEPT CHASSIS GROUND)

$\varnothing 0.041 \pm 0.002$   
(1.05 ± 0.05)  
 $\Phi 0.004$  [A/B] X30

$\varnothing 0.037 \pm 0.002$   
(0.95 ± 0.05)  
 $\Phi 0.004$  [A/B]  
SMALLER HOLE ON  
THESE FOUR ROWS ONLY

THIS AREA DENOTES  
COMPONENT KEEP-OUT  
(TRACES ALLOWED)

SEE NOTE 4

SEE NOTE 4

SEE NOTE 4

RECOMMENDED CENTRIX  
OF LED

AREA OF LIGHT  
PIPE COVERAGE

**NOTES:**

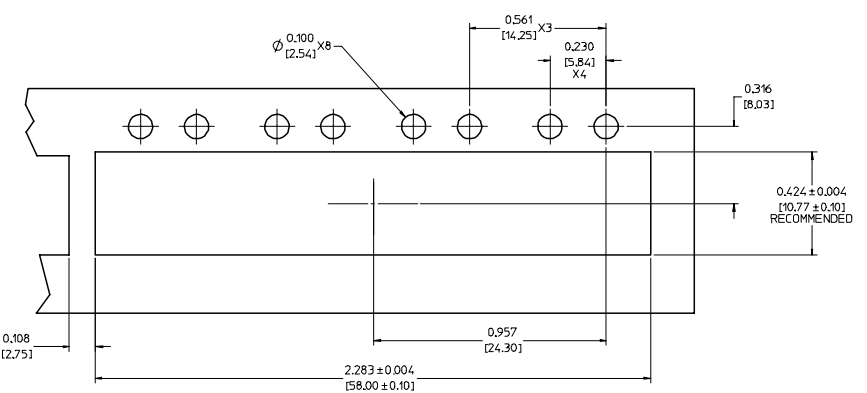
1. PADS AND VIAS GO TO CHASSIS GROUND. (34 PLACES). RECOMMENDED PADS TO BE 2mm SQUARE.
2. PLATING OPTIONAL FOR THROUGH HOLES. (12 PLACES).
3. RECOMMENDED PLATING INCLUDES HASL, IMMERSION (GOLD OR SILVER), AND OSP.
4. HOLE PATTERN REPEATS FOR EACH PORT. SPACING BETWEEN PORTS IS 5.61 [14.25].

<b>ENTER DESCRIPTION</b> EC NO: UST2006-0024 DRWNS:IMONSON 2005/11/05 CHKD:BRUSSELL 2005/11/09 APPR:BRUSSELL 2005/11/16	<b>QUALITY SYMBOLS</b> ▽=0 ▽=0	<b>GENERAL TOLERANCES (UNLESS SPECIFIED)</b>		<b>DIMENSION STYLE</b> IN/MM		SCALE 6:1	DESIGN UNITS METRIC	THIRD ANGLE PROJECTION
		4 PLACES ± --- ± --- 3 PLACES ± --- ± .005 2 PLACES ± 0.13 ± .01 1 PLACE ± 0.25 ± --- ANGULAR ± 1 °	mm INCH	DRAWN BY KS IMONSO	DATE 2005/11/05	TITLE 1X4 SFP LIGHT PIPE COVER ASSEMBLY, LOW PROFILE	MATERIAL NO. 747280002	
DRAFT WHERE APPLICABLE MUST REMAIN WITHIN DIMENSIONS		THIS DRAWING CONTAINS INFORMATION THAT IS PROPRIETARY TO MOLEX INCORPORATED AND SHOULD NOT BE USED WITHOUT WRITTEN PERMISSION						

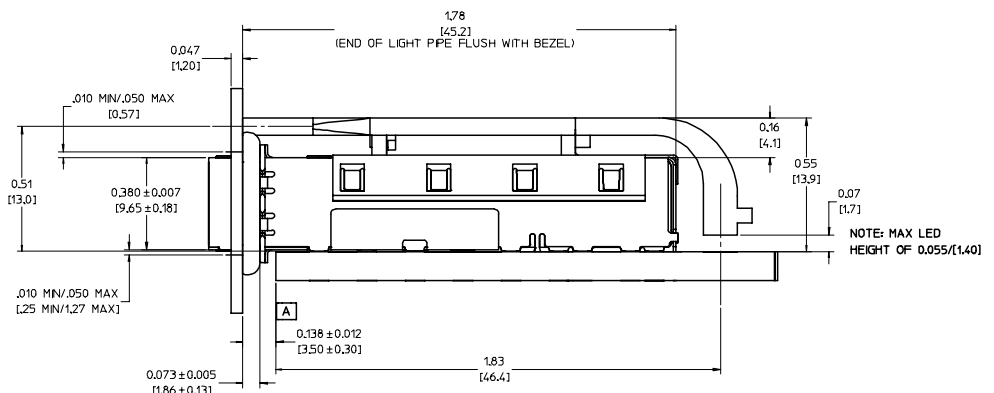
20 19 18 17 16 15 14 13 12 11 10 9 8 7 6 5 4 3 2 1

M L K J I H G F E D C B A

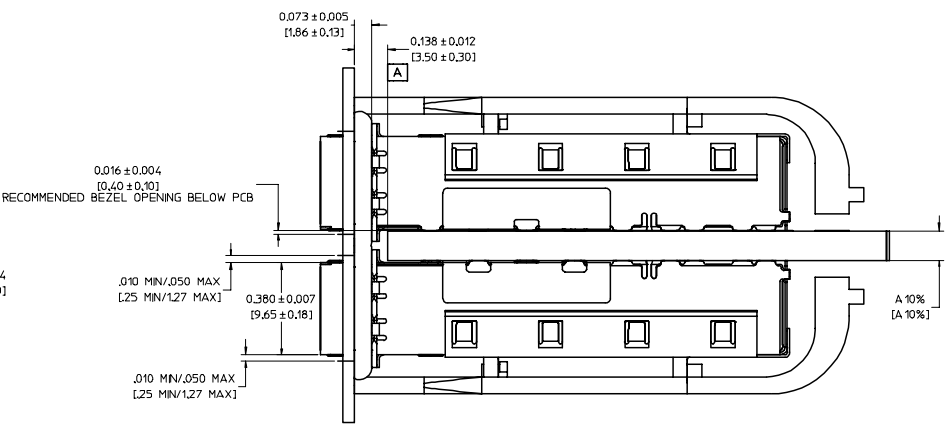
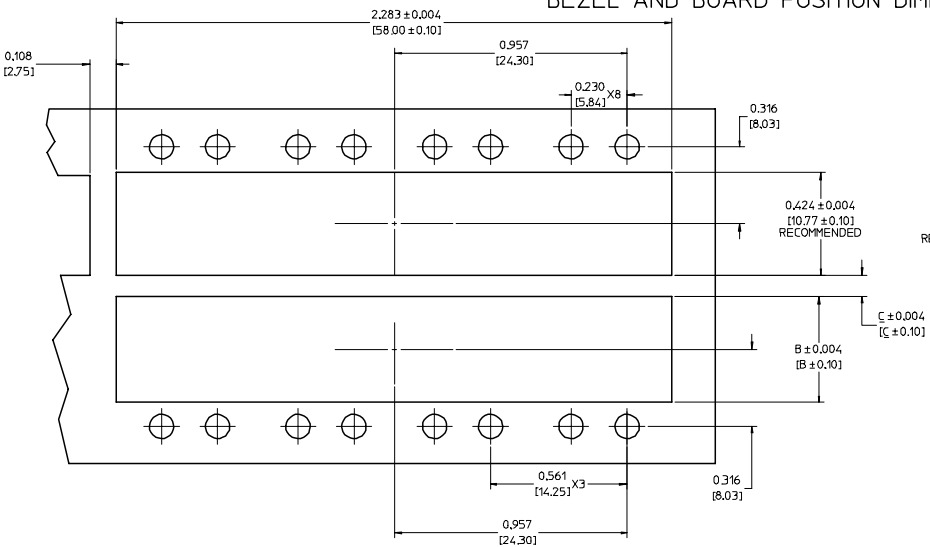
M L K J I H G F E D C B A



BEZEL AND BOARD POSITION DIMENSIONS FOR SINGLE SIDE MOUNTING



BEZEL AND BOARD POSITION DIMENSIONS FOR BELLY TO BELLY MOUNTING



NOTE: FOR A GIVEN BOARD THICKNESS (A), DIMENSIONS (B) AND (C) ARE DIRECTLY AFFECTED.

USE RECOMMENDED DIMENSIONS AND TOLERANCES TO AID IN DEVELOPING BEZEL OPENING.

FOR EXAMPLE USING A BOARD THICKNESS OF .125" THE RECOMMENDED VALUES WOULD BE:

- A- .125/3.18 ± 10%
- B- .434/11.03 ± .004
- C- .088/2.23 ± .004

<b>ENTER DESCRIPTION</b> EC NO: UST2006-0724 DRAWN BY: DRINKS MONSON 2005/11/05 CHECKED BY: CHUCK BRUSSELL 2005/11/05 APPROVED BY: BRUSSELL 2005/11/16	<b>QUALITY SYMBOLS</b> ▽=0 ▽=0	<b>GENERAL TOLERANCES (UNLESS SPECIFIED)</b> <table border="1"> <tr> <th></th> <th>mm</th> <th>INCH</th> </tr> <tr> <td>4 PLACES ±</td> <td>---</td> <td>±---</td> </tr> <tr> <td>3 PLACES ±</td> <td>---</td> <td>±.005</td> </tr> <tr> <td>2 PLACES ±</td> <td>0.13</td> <td>±.01</td> </tr> <tr> <td>1 PLACE ±</td> <td>0.25</td> <td>±---</td> </tr> <tr> <td colspan="3">ANGULAR ± 1°</td> </tr> </table>		mm	INCH	4 PLACES ±	---	±---	3 PLACES ±	---	±.005	2 PLACES ±	0.13	±.01	1 PLACE ±	0.25	±---	ANGULAR ± 1°			<b>DIMENSION STYLE</b> IN/MM	<b>SCALE</b> 4:1	<b>DESIGN UNITS</b> METRIC	<b>THIRD ANGLE PROJECTION</b>
		mm	INCH																					
	4 PLACES ±	---	±---																					
	3 PLACES ±	---	±.005																					
2 PLACES ±	0.13	±.01																						
1 PLACE ±	0.25	±---																						
ANGULAR ± 1°																								
<b>DESCRIPTION</b> A	<b>DRAFT WHERE APPLICABLE MUST REMAIN WITHIN DIMENSIONS</b>	<b>MATERIAL NO.</b> 747280002	<b>DATE</b> 2005/11/05	<b>DATE</b> 2005/11/05	<b>DATE</b> 2005/11/05	<b>TITLE</b> 1X4 SFP LIGHT PIPE COVER ASSEMBLY, LOW PROFILE																		
<b>MOLEX INCORPORATED</b>			<b>DOCUMENT NO.</b> SD-74728-002																					
<b>SIZE D</b>			<b>THIS DRAWING CONTAINS INFORMATION THAT IS PROPRIETARY TO MOLEX INCORPORATED AND SHOULD NOT BE USED WITHOUT WRITTEN PERMISSION</b>																					

19 18 17 16 15 14 13 12 11 10 9 8 7 6 5 4 3 2 1

20 19 18 17 16 15 14 13 12 11 10 9 8 7 6 5 4 3 2 1

M  
L  
K  
J  
I  
H  
G  
F  
E  
D  
C  
B  
A

M  
L  
K  
J  
I  
H  
G  
F  
E  
D  
C  
B  
A

DATE	REV	CHANGES	COMMENTS
2005/11/05	A	INITIAL RELEASE	N/A

<b>ENTER DESCRIPTION</b> EC NO: UST2006-0124 DRWN:KS IMONSON 2005/11/05 CHKD:BRUSSELL 2005/11/05 APPR:BRUSSELL 2005/11/16 A	<b>QUALITY SYMBOLS</b> ▽=0 ▽=0	<b>GENERAL TOLERANCES (UNLESS SPECIFIED)</b>		<b>DIMENSION STYLE</b> IN/MM		SCALE 1:1	DESIGN UNITS METRIC	THIRD ANGLE PROJECTION
		4 PLACES ± --- ± --- 3 PLACES ± --- ± .005 2 PLACES ± 0.13 ± .01 1 PLACE ± 0.25 ± ---	mm INCH	DRAWN BY KS IMONSON	DATE 2005/11/05	TITLE 1X4 SFP LIGHT PIPE COVER ASSEMBLY, LOW PROFILE		
		ANGULAR ± 1 °	DRAFT WHERE APPLICABLE MUST REMAIN WITHIN DIMENSIONS	CHECKED BY BRUSSELL	DATE 2005/11/05	MOLEX INCORPORATED		
		MATERIAL NO. 747280002	DOCUMENT NO. SD-74728-002	SHEET NO. 5 OF 5				

19 18 17 16 15 14 13 12 11 10 9 8 7 6 5 4 3 2 1