



Chipsmall Limited consists of a professional team with an average of over 10 year of expertise in the distribution of electronic components. Based in Hongkong, we have already established firm and mutual-benefit business relationships with customers from,Europe,America and south Asia,supplying obsolete and hard-to-find components to meet their specific needs.

With the principle of “Quality Parts,Customers Priority,Honest Operation,and Considerate Service”,our business mainly focus on the distribution of electronic components. Line cards we deal with include Microchip,ALPS,ROHM,Xilinx,Pulse,ON,Everlight and Freescale. Main products comprise IC,Modules,Potentiometer,IC Socket,Relay,Connector.Our parts cover such applications as commercial,industrial, and automotives areas.

We are looking forward to setting up business relationship with you and hope to provide you with the best service and solution. Let us make a better world for our industry!



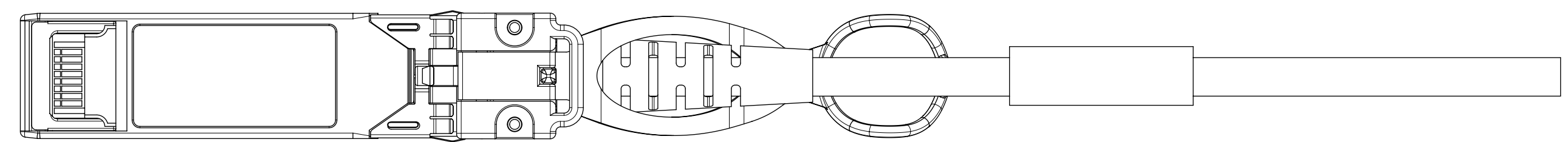
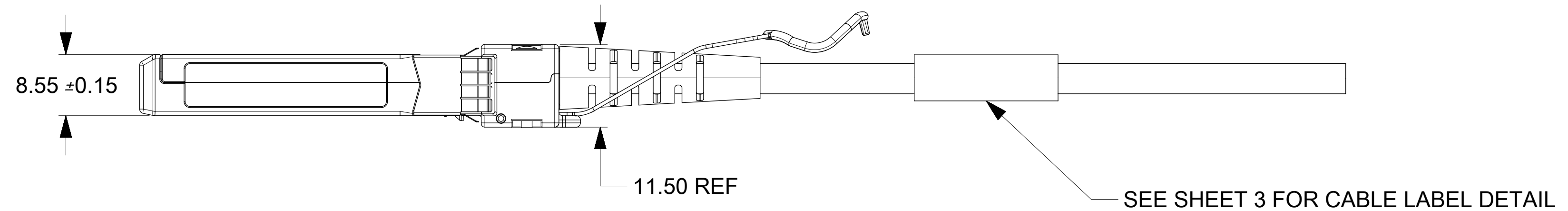
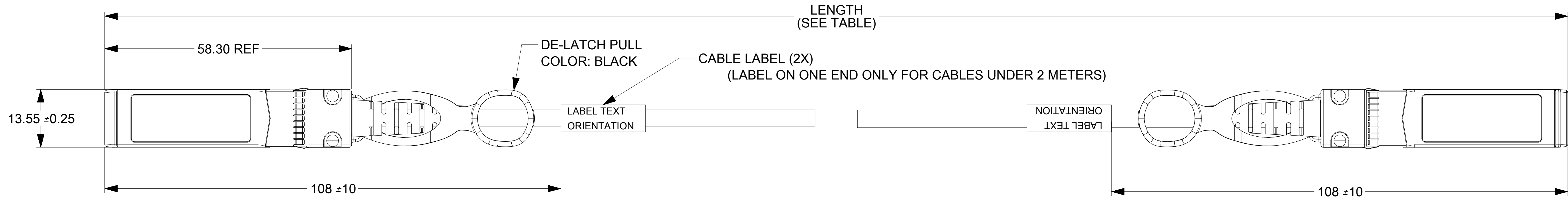
## Contact us

Tel: +86-755-8981 8866 Fax: +86-755-8427 6832

Email & Skype: info@chipsmall.com Web: www.chipsmall.com

Address: A1208, Overseas Decoration Building, #122 Zhenhua RD., Futian, Shenzhen, China





**NOTES:**

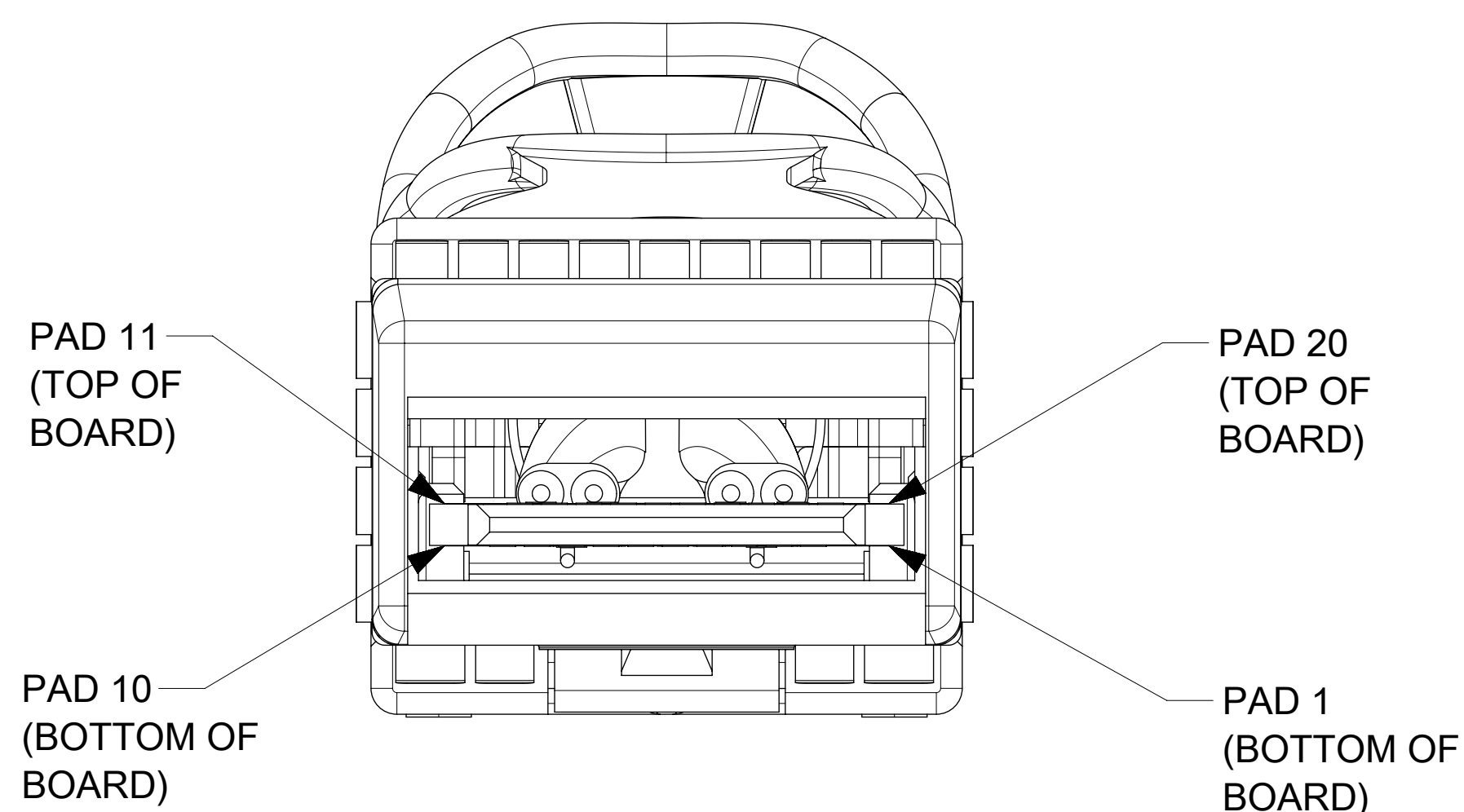
1. MATERIALS
  - BACKSHELLS- NICKEL PLATED ZINC
  - DE-LATCH - PLASTIC
  - PCB - FR-4
  - RIVETS - STAINLESS STEEL
2. IMPEDANCE - 100 OHMS DIFFERENTIAL, PASSIVE
3. PULL TO RELEASE, PLUNGER STYLE LATCH
4. EACH ASSEMBLY HAS A SERIAL ID
5. 11.09 Gbps BACKWARDS COMPATIBLE TO 1.0625 Gbps
6. RoHS COMPLIANT, NO EXEMPTIONS

THIS DRAWING CONTAINS INFORMATION THAT IS PROPRIETARY TO MOLEX ELECTRONIC TECHNOLOGIES, LLC AND SHOULD NOT BE USED WITHOUT WRITTEN PERMISSION											
QUALITY SYMBOLS ▽ = 0 ▽ = 0 ▽ = 0 ▽ = 0 ▽ = 0 ▽ = 0 ▽ = 0 ▽ = 0 ▽ = 0 ▽ = 0	ADDED PN 747521034	GENERAL TOLERANCES (UNLESS SPECIFIED)	DIMENSION UNITS	SCALE							
	EC NO: 110564	ANGULAR TOL ± 2.0 °	MM	2:1							
	DRWN: DRAMIREZ02	4 PLACES ±	DRWN BY	DATE	SFP+ TO SFP+ 10G PASSIVE CABLE ASSEMBLY						
	CHKD: EMEDINA02	3 PLACES ±	DRAMIREZ02	2016/11/17							
	REV: ARAYBURN	2 PLACES ± 0.13	CHKD BY	DATE	PRODUCT CUSTOMER DRAWING						
		1 PLACE ± 0.25	EMEDINA02	2016/11/17							
	0 PLACES ±	APPR BY	DATE	SERIES: 74752    MATERIAL NUMBER: SEE TABLE    CUSTOMER: GENERAL MARKET							
	DRAFT WHERE APPLICABLE MUST REMAIN WITHIN DIMENSIONS	ARAYBURN	2016/11/22								
		DRAWING SIZE	THIRD ANGLE PROJECTION	DOCUMENT NUMBER: 747520001    DOC TYPE: PSD    DOC PART: 000    SHEET NUMBER: 1 OF 4							
		D									

WIRING DIAGRAM				
P1 END			P2 END	
PAD	SIGNAL		PAD	SIGNAL
12	RD-	<-----	19	TD-
13	RD+	<-----	18	TD+
18	TD+	----->	13	RD+
19	TD-	----->	12	RD-

LOW SPEED SIGNALS	
SFP+	
PAD	SIGNAL
02	Tx_Fault
03	Tx_Disable
04	SDA
05	SCL
06	Mod_ABS
07	RS0
08	Rx_LOS
09	RS1
15	VccR
16	VccT

CUSTOM LENGTHS AVAILABLE.  
 LONGER LENGTH APPLICATIONS REQUIRE  
 HOST SYSTEM PRE-EMPHASIS AND  
 EQUALIZATION.  
 SEE DATASHEET FOR MORE INFORMATION.



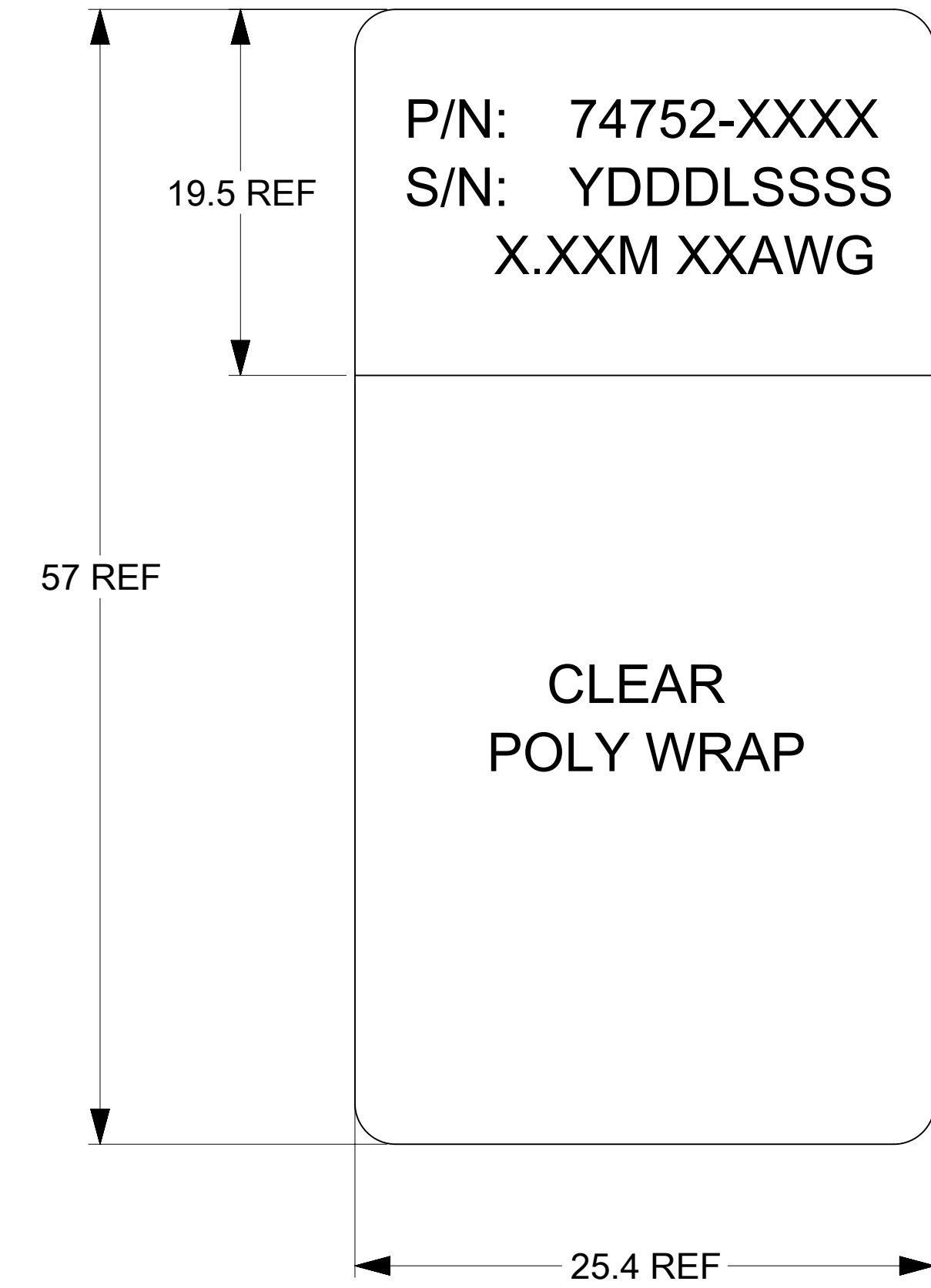
<b>QUALITY SYMBOLS</b> 	THIS DRAWING CONTAINS INFORMATION THAT IS PROPRIETARY TO MOLEX ELECTRONIC TECHNOLOGIES, LLC AND SHOULD NOT BE USED WITHOUT WRITTEN PERMISSION				<b>molex</b> SFP+ TO SFP+ 10G PASSIVE CABLE ASSEMBLY PRODUCT CUSTOMER DRAWING		
	EC NO: 110564 DRWN: DRAMIREZ02 CHKD: EMEDINA02 REV: APPR: ARAYBURN	2016/11/17 2016/11/17 2016/11/22	GENERAL TOLERANCES (UNLESS SPECIFIED) ANGULAR TOL ± 2.0 ° 4 PLACES ± 3 PLACES ± 2 PLACES ± 0.13 1 PLACE ± 0.25 0 PLACES ± DRAFT WHERE APPLICABLE MUST REMAIN WITHIN DIMENSIONS	DIMENSION UNITS: MM SCALE: 7:1 DRWN BY: DRAMIREZ02 DATE: 2016/11/17 CHKD BY: EMEDINA02 DATE: 2016/11/17 APPR BY: ARAYBURN DATE: 2016/11/22	SERIES: 74752 MATERIAL NUMBER: SEE TABLE CUSTOMER: GENERAL MARKET	DOCUMENT NUMBER: 747520001 DOC TYPE: PSD DOC PART: 000 SHEET NUMBER: 2 OF 4	
	RELEASE STATUS: P1 RELEASE DATE: 22.11.2016 00:01:34						

### PART NUMBER TABLE

PART NUMBER	LENGTH	TOL.	AWG
747520010	0.30M	± 0.03M	32
747520011	0.50M	± 0.03M	32
747520012	1.0M	± 0.05M	32
747520013	2.0M	± 0.05M	32
747520014	3.0M	± 0.05M	32
747520015	4.0M	± 0.05M	32
747520016	5.0M	± 0.05M	32
747521031	0.30M	± 0.03M	30
747521034	0.34M	± 0.03M	30
747521051	0.50M	± 0.05M	30
747521101	1.0M	± 0.05M	30
747521151	1.5M	± 0.05M	30
747521201	2.0M	± 0.05M	30
747521251	2.5M	± 0.05M	30
747521301	3.0M	± 0.05M	30
747521401	4.0M	± 0.05M	30
747521501	5.0M	± 0.08M	30
747521601	6.0M	± 0.08M	30
747521701	7.0M	± 0.08M	30
747521801	8.0M	± 0.08M	30
747521901	9.0M	± 0.08M	30
747529001	10.0M	± 0.08M	30
747522031	0.30M	± 0.03M	28
747522051	0.50M	± 0.03M	28
747522101	1.0M	± 0.05M	28
747522151	1.5M	± 0.05M	28
747522201	2.0M	± 0.05M	28
747522301	3.0M	± 0.05M	28
747522401	4.0M	± 0.05M	28
747522501	5.0M	± 0.08M	28
747522701	7.0M	± 0.08M	28
747522801	8.0M	± 0.08M	28
747522901	9.0M	± 0.08M	28
747529002	10.0M	± 0.08M	28
747529010	15.0M	± 0.08M	28

PART NUMBER	LENGTH	TOL.	AWG
747523051	0.50M	± 0.03M	26
747523061	0.60M	± 0.03M	26
747523101	1.0M	± 0.05M	26
747523201	2.0M	± 0.05M	26
747523301	3.0M	± 0.05M	26
747523501	5.0M	± 0.08M	26
747523701	7.0M	± 0.08M	26
747523901	9.0M	± 0.08M	26
747529003	10.0M	± 0.08M	26
747529225	1.6M	± 0.05M	26
747529226	1.75M	± 0.05M	26
747529227	2.25M	± 0.05M	26
747524051	0.50M	± 0.03M	24
747524101	1.0M	± 0.05M	24
747524201	2.0M	± 0.05M	24
747524301	3.0M	± 0.05M	24
747524401	4.0M	± 0.05M	24
747524501	5.0M	± 0.08M	24
747524541	5.4M	± 0.08M	24
747524571	5.7M	± 0.08M	24
747524601	6.0M	± 0.08M	24
747524701	7.0M	± 0.08M	24
747524801	8.0M	± 0.08M	24
747524901	9.0M	± 0.08M	24
747529004	10.0M	± 0.08M	24
747529013	11.0M	± 0.08M	24
747529008	12.0M	± 0.08M	24
747529015	13.0M	± 0.08M	24
747529016	14.0M	± 0.08M	24
747529007	15.0M	± 0.08M	24

### CABLE LABEL DETAIL

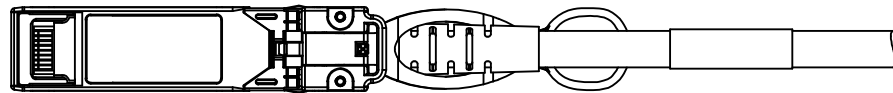
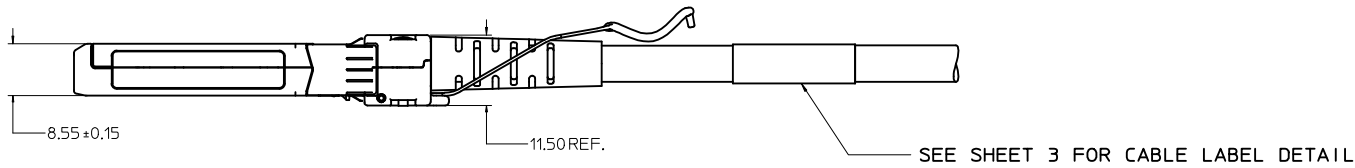
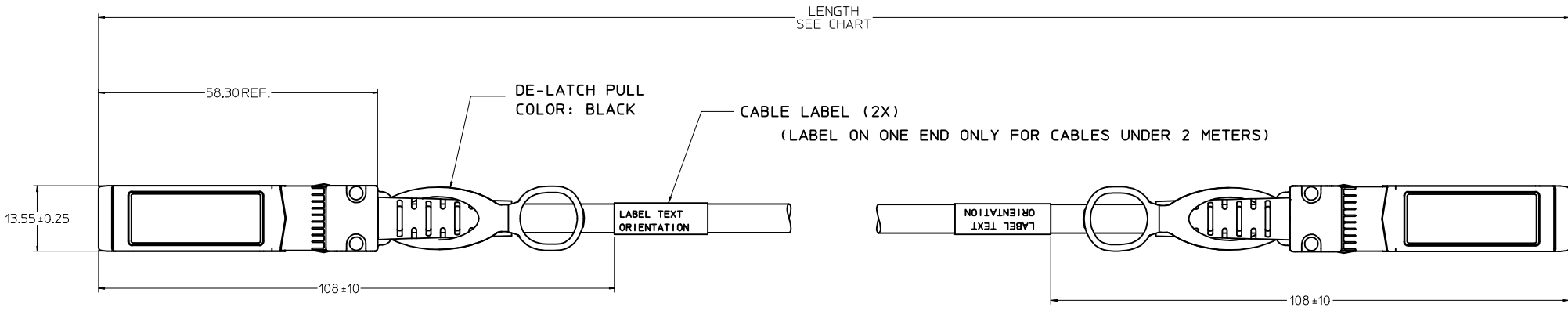


YDDDLSSSS  
Y---YEAR, THE LAST DIGIT OF THE YEAR  
DDD---DAY OF THE YEAR  
L---LOCATION (1=US, 2=MEXICO, 3=CHINA, 4=PHILIPPINES)  
SSSS---SERIAL NUMBER (0001-9999)

X.XXM---LENGTH AS SHOWN IN P/N TABLE

XXAWG---AWG SIZE

<b>QUALITY SYMBOLS</b> 	THIS DRAWING CONTAINS INFORMATION THAT IS PROPRIETARY TO MOLEX ELECTRONIC TECHNOLOGIES, LLC AND SHOULD NOT BE USED WITHOUT WRITTEN PERMISSION										
	EC NO: 110564 DRWN: DRAMIREZ02 CHKD: EMEDINA02 REV APPR: ARAYBURN	GENERAL TOLERANCES (UNLESS SPECIFIED)		DIMENSION UNITS	SCALE						
		ANGULAR TOL ± 2.0 °		MM	1:1						
		4 PLACES ±		DRWN BY	DATE	SFP+ TO SFP+ 10G PASSIVE CABLE ASSEMBLY					
		3 PLACES ±		CHKD BY	DATE						
		2 PLACES ± 0.13		EMEDINA02	2016/11/17						
	1 PLACE ± 0.25		APPR BY	DATE	PRODUCT CUSTOMER DRAWING						
	0 PLACES ±		ARAYBURN	2016/11/22							
	DRAFT WHERE APPLICABLE MUST REMAIN WITHIN DIMENSIONS		DRAWING SIZE	THIRD ANGLE PROJECTION	SERIES	MATERIAL NUMBER	CUSTOMER				
			D		74752	SEE TABLE	GENERAL MARKET				
					DOCUMENT NUMBER	DOC TYPE	DOC PART	SHEET NUMBER			
					747520001	PSD	000	3 OF 4			



**NOTES:**

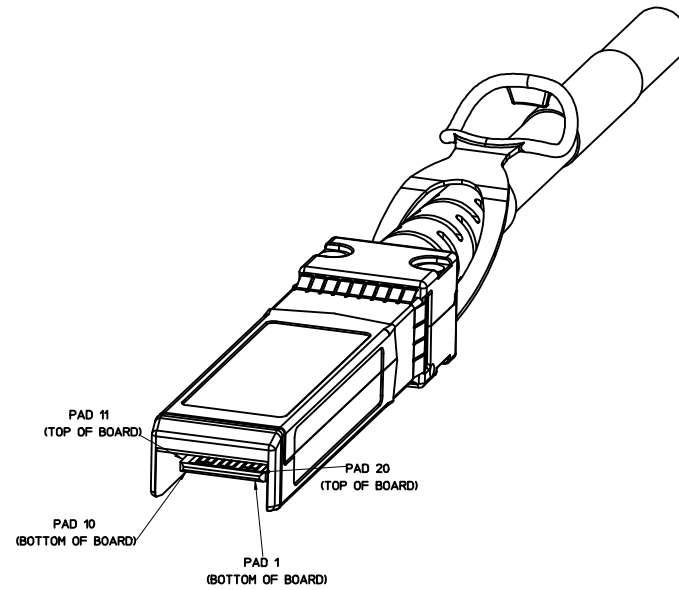
1. MATERIALS  
 BACKSHELLS - NICKEL PLATED ZINC  
 DE-LATCH - PLASTIC  
 PCB - FR-4  
 RIVETS - STAINLESS STEEL
2. IMPEDANCE - 100 OHMS DIFFERENTIAL, PASSIVE
3. PULL TO RELEASE, PLUNGER STYLE LATCH
4. EACH ASSEMBLY HAS A SERIAL ID
5. 11.09 Gbps BACKWARDS COMPATIBLE TO 1.0625 Gbps
6. RoHS COMPLIANT, NO EXEMPTIONS.

<b>SEE REV HISTORY</b> IEC NO: CPG2016-0706 2015/08/13 DRWN:GBARELLA 2015/08/13 CHK:EMENA 2015/08/13 APPR:ARVIBURN 2015/08/13 REV: DESCRIPTION	QUALITY SYMBOLS	GENERAL TOLERANCES (UNLESS SPECIFIED)	DIMENSION STYLE	SCALE	DESIGN UNITS	THIRD ANGLE PROJECTION
	▽=0	4 PLACES ± mm	MM ONLY	2.5:1	METRIC	
	▽=0	3 PLACES ±				
	▽=0	2 PLACES ± 0.13				
		1 PLACE ± 0.25				
		0 PLACE ±				
		ANGULAR ± 2 °				
		DRAFT WHERE APPLICABLE MUST REMAIN WITHIN DIMENSIONS				
			DRAWN BY	DATE	TITLE	
			JERWIN	2007/01/30	SFP+ 10G PASSIVE CABLE ASSEMBLY	
			CHECKED BY	DATE		
			KLLOYD	2007/01/30		
			APPROVED BY	DATE		
			RAHMOOD	2007/01/30		
			MATERIAL NO.	DOCUMENT NO.		
			SEE SHEET 3	SD-74752-001		
			SIZE D			
			THIS DRAWING CONTAINS INFORMATION THAT IS PROPRIETARY TO MOLEX INCORPORATED AND SHOULD NOT BE USED WITHOUT WRITTEN PERMISSION			
						SHEET NO. 1 OF 4

WIRING DIAGRAM				
P1 END			P2 END	
PAD	SIGNAL		PAD	SIGNAL
12	RD-	←	19	TD-
13	RD+	←	18	TD+
18	TD+	→	13	RD+
19	TD-	→	12	RD-

LOW SPEED SIGNALS	
SFP+	
PAD	SIGNAL
02	Tx_Fault
03	Tx_Disable
04	SDA
05	SCL
06	Mod_ABS
07	RS0
08	Rx_LOS
09	RS1
15	VccR
16	VccT

SFP+



CUSTOM LENGTHS AVAILABLE.  
 LONGER LENGTH APPLICATIONS REQUIRE  
 HOST SYSTEM PRE-EMPHASIS AND  
 EQUALIZATION.  
 SEE DATASHEET FOR MORE INFORMATION.

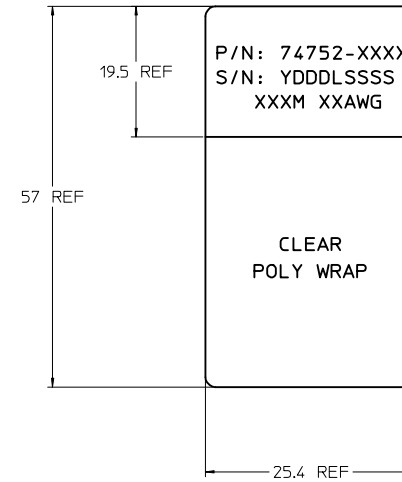
<b>SEE REV HISTORY</b> IEC NO: CPG2016-0706 DRWN:GBARDILLA 2015/08/13 CHYK:EMEDINA 2015/08/13 APPR:ARAVIURN 2015/08/13	QUALITY SYMBOLS ▽=0 ▽=0 ▽=0	GENERAL TOLERANCES (UNLESS SPECIFIED) <table border="1"> <tr> <th></th> <th>mm</th> <th>INCH</th> </tr> <tr> <td>4 PLACES</td> <td>±0.13</td> <td>±0.005</td> </tr> <tr> <td>3 PLACES</td> <td>±0.25</td> <td>±0.010</td> </tr> <tr> <td>2 PLACES</td> <td>±0.50</td> <td>±0.020</td> </tr> <tr> <td>1 PLACE</td> <td>±1.00</td> <td>±0.040</td> </tr> <tr> <td>0 PLACE</td> <td>±1.50</td> <td>±0.060</td> </tr> </table>		mm	INCH	4 PLACES	±0.13	±0.005	3 PLACES	±0.25	±0.010	2 PLACES	±0.50	±0.020	1 PLACE	±1.00	±0.040	0 PLACE	±1.50	±0.060	DIMENSION STYLE <b>MM ONLY</b>	SCALE <b>4:1</b>	DESIGN UNITS <b>METRIC</b>	THIRD ANGLE PROJECTION
		mm	INCH																					
	4 PLACES	±0.13	±0.005																					
	3 PLACES	±0.25	±0.010																					
2 PLACES	±0.50	±0.020																						
1 PLACE	±1.00	±0.040																						
0 PLACE	±1.50	±0.060																						
DRAWN BY JERWIN	DATE 2007/01/30	CHECKED BY DATE	APPROVED BY RMAHMOOD	DATE 2007/01/30	TITLE <b>SFP+ 10G PASSIVE CABLE ASSEMBLY</b>	MATERIAL NO. <b>SEE SHEET 3</b>																		
ANGULAR ± 2 ° DRAFT WHERE APPLICABLE MUST REMAIN WITHIN DIMENSIONS	DOCUMENT NO. <b>SD-74752-001</b>	SHEET NO. <b>2 OF 4</b>	THIS DRAWING CONTAINS INFORMATION THAT IS PROPRIETARY TO MOLEX INCORPORATED AND SHOULD NOT BE USED WITHOUT WRITTEN PERMISSION																					

PART NUMBER CHART

PART NUMBER	LENGTH	TOL.	AWG
747520010	0.3M	±0.03M	32
747520011	0.5M	±0.03M	32
747520012	1.0M	±0.05M	32
747520013	2.0M	±0.05M	32
747520014	3.0M	±0.05M	32
747520015	4.0M	±0.05M	32
747520016	5.0M	±0.08M	32
747521031	0.3M	±0.03M	30
747521051	0.5M	±0.03M	30
747521101	1.0M	±0.05M	30
747521151	1.5M	±0.05M	30
747521201	2.0M	±0.05M	30
747521251	2.5M	±0.05M	30
747521301	3.0M	±0.05M	30
747521401	4.0M	±0.05M	30
747521501	5.0M	±0.08M	30
747521601	6.0M	±0.08M	30
747521701	7.0M	±0.08M	30
747521801	8.0M	±0.08M	30
747521901	9.0M	±0.08M	30
747529001	10.0M	±0.08M	30
747522031	0.3M	±0.03M	28
747522051	0.5M	±0.03M	28
747522101	1.0M	±0.05M	28
747522151	1.5M	±0.05M	28
747522201	2.0M	±0.05M	28
747522301	3.0M	±0.05M	28
747522401	4.0M	±0.05M	28
747522501	5.0M	±0.08M	28
747522701	7.0M	±0.08M	28
747522801	8.0M	±0.08M	28
747522901	9.0M	±0.08M	28
747529002	10.0M	±0.08M	28
747529010	15.0M	±0.08M	28

PART NUMBER	LENGTH	TOL.	AWG
747523051	0.5M	±0.03M	26
747523061	0.6M	±0.03M	26
747523101	1.0M	±0.05M	26
747523201	2.0M	±0.05M	26
747523301	3.0M	±0.05M	26
747523501	5.0M	±0.08M	26
747523701	7.0M	±0.08M	26
747523901	9.0M	±0.08M	26
747529003	10.0M	±0.08M	26
747529225	1.6M	±0.05M	26
747529226	1.75M	±0.05M	26
747529227	2.25M	±0.05M	26
747524051	0.5M	±0.03M	24
747524101	1.0M	±0.05M	24
747524201	2.0M	±0.05M	24
747524301	3.0M	±0.05M	24
747524401	4.0M	±0.05M	24
747524501	5.0M	±0.08M	24
747524541	5.4M	±0.08M	24
747524571	5.7M	±0.08M	24
747524601	6.0M	±0.08M	24
747524701	7.0M	±0.08M	24
747524801	8.0M	±0.08M	24
747524901	9.0M	±0.08M	24
747529004	10.0M	±0.08M	24
747529013	11.0M	±0.08M	24
747529008	12.0M	±0.08M	24
747529015	13.0M	±0.08M	24
747529016	14.0M	±0.08M	24
747529007	15.0M	±0.08M	24

CABLE LABEL DETAIL



YDDDLSSSS  
 Y---YEAR, THE LAST DIGIT OF THE YEAR  
 DDD---DAY OF THE YEAR  
 L---LOCATION (1=US, 2=MEXICO, 3=CHINA, 4=PHILIPPINES)  
 SSSS---SERIAL NUMBER (UNIQUE AT P/N LEVEL ONLY)

XXXM---LENGTH AS SHOWN IN P/N CHART

XXAWG---AWG SIZE

SEE REV HISTORY EIC NO: CPG2016-0706 DRAWN BY: DRWNGBARDELLA CHECKED BY: CHYKDEMDINA APPR: ARABURN 2015/08/13 2015/08/13 2015/08/13	QUALITY SYMBOLS	GENERAL TOLERANCES (UNLESS SPECIFIED)	DIMENSION STYLE	SCALE	DESIGN UNITS	THIRD ANGLE PROJECTION
	▽=0	mm INCH	MM ONLY	1:1	METRIC	☉
	▽=0	4 PLACES ± --- ± ---				
	▽=0	3 PLACES ± --- ± ---				
		ANGULAR ± 2 °	DRAWN BY: JERWIN	DATE: 2007/01/30	TITLE: SFP+ 10G PASSIVE CABLE ASSEMBLY	
		DRAFT WHERE APPLICABLE MUST REMAIN WITHIN DIMENSIONS	CHECKED BY: KLOYD	DATE: 2007/01/30	APPROVED BY: RMAHMOOD	
			DATE: 2007/01/30	DATE: 2007/01/30	MATERIAL NO. SEE CHART	
					DOCUMENT NO. SD-74752-001	SHEET NO. 3 OF 4
					THIS DRAWING CONTAINS INFORMATION THAT IS PROPRIETARY TO MOLEX INCORPORATED AND SHOULD NOT BE USED WITHOUT WRITTEN PERMISSION	

