



Chipsmall Limited consists of a professional team with an average of over 10 year of expertise in the distribution of electronic components. Based in Hongkong, we have already established firm and mutual-benefit business relationships with customers from,Europe,America and south Asia,supplying obsolete and hard-to-find components to meet their specific needs.

With the principle of “Quality Parts,Customers Priority,Honest Operation,and Considerate Service”,our business mainly focus on the distribution of electronic components. Line cards we deal with include Microchip,ALPS,ROHM,Xilinx,Pulse,ON,Everlight and Freescale. Main products comprise IC,Modules,Potentiometer,IC Socket,Relay,Connector.Our parts cover such applications as commercial,industrial, and automotives areas.

We are looking forward to setting up business relationship with you and hope to provide you with the best service and solution. Let us make a better world for our industry!



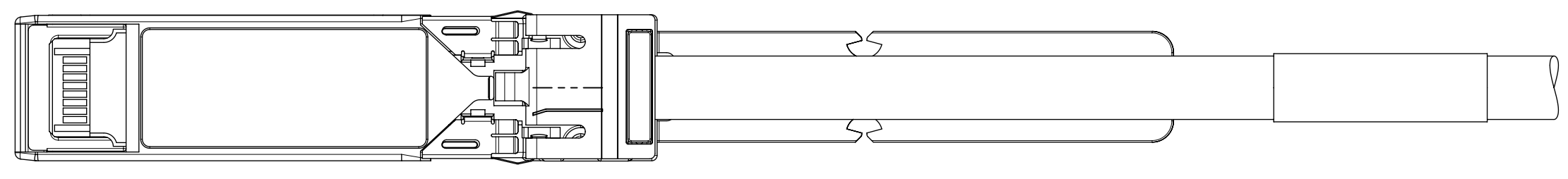
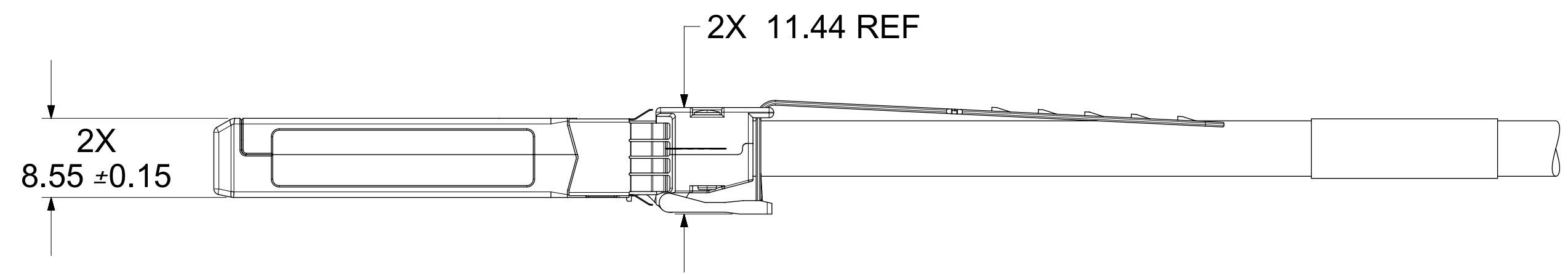
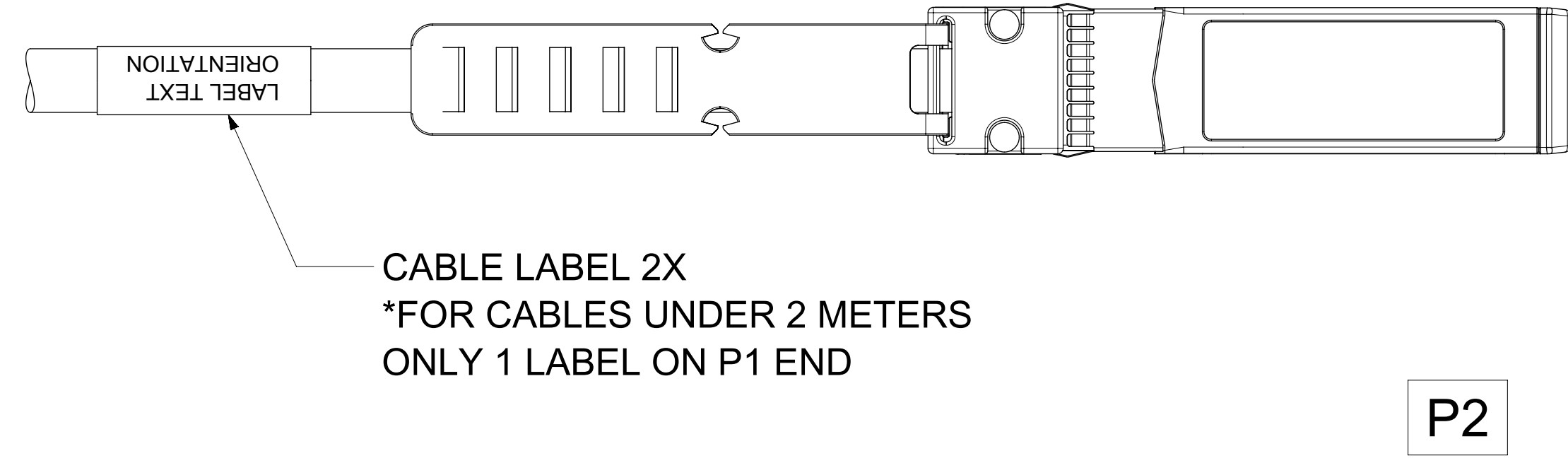
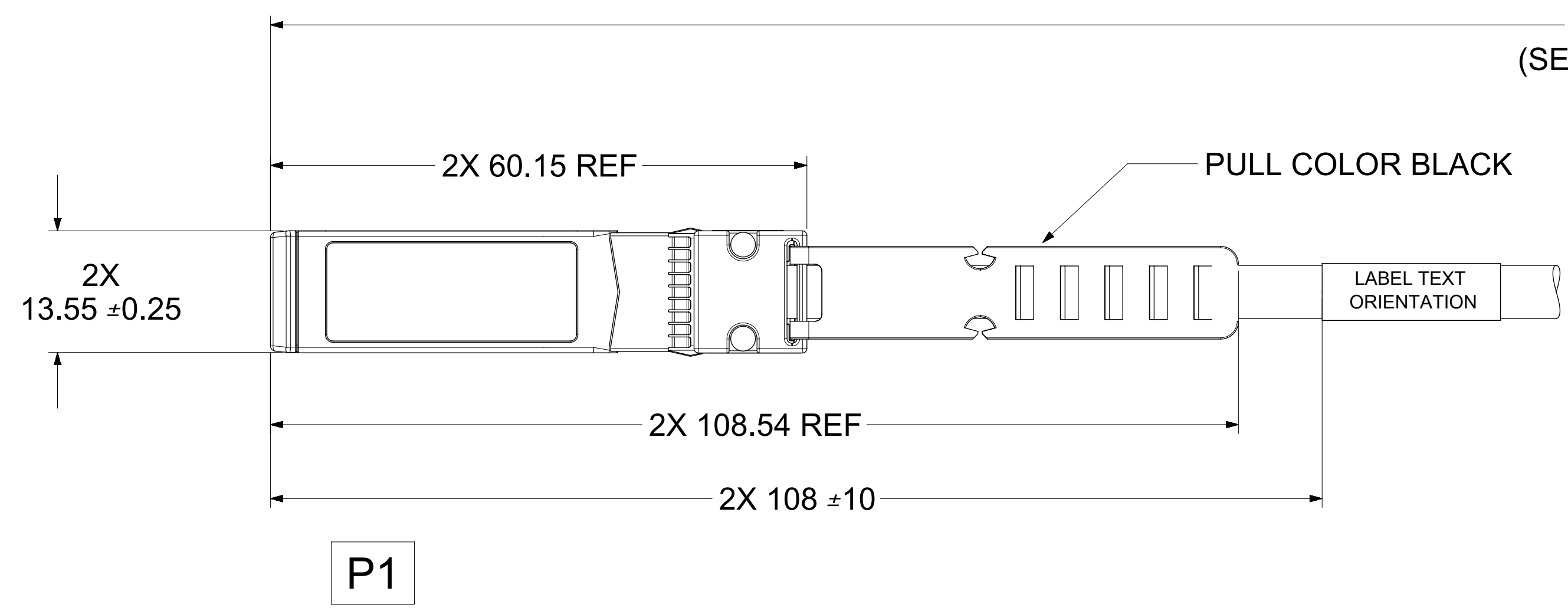
Contact us

Tel: +86-755-8981 8866 Fax: +86-755-8427 6832

Email & Skype: info@chipsmall.com Web: www.chipsmall.com

Address: A1208, Overseas Decoration Building, #122 Zhenhua RD., Futian, Shenzhen, China





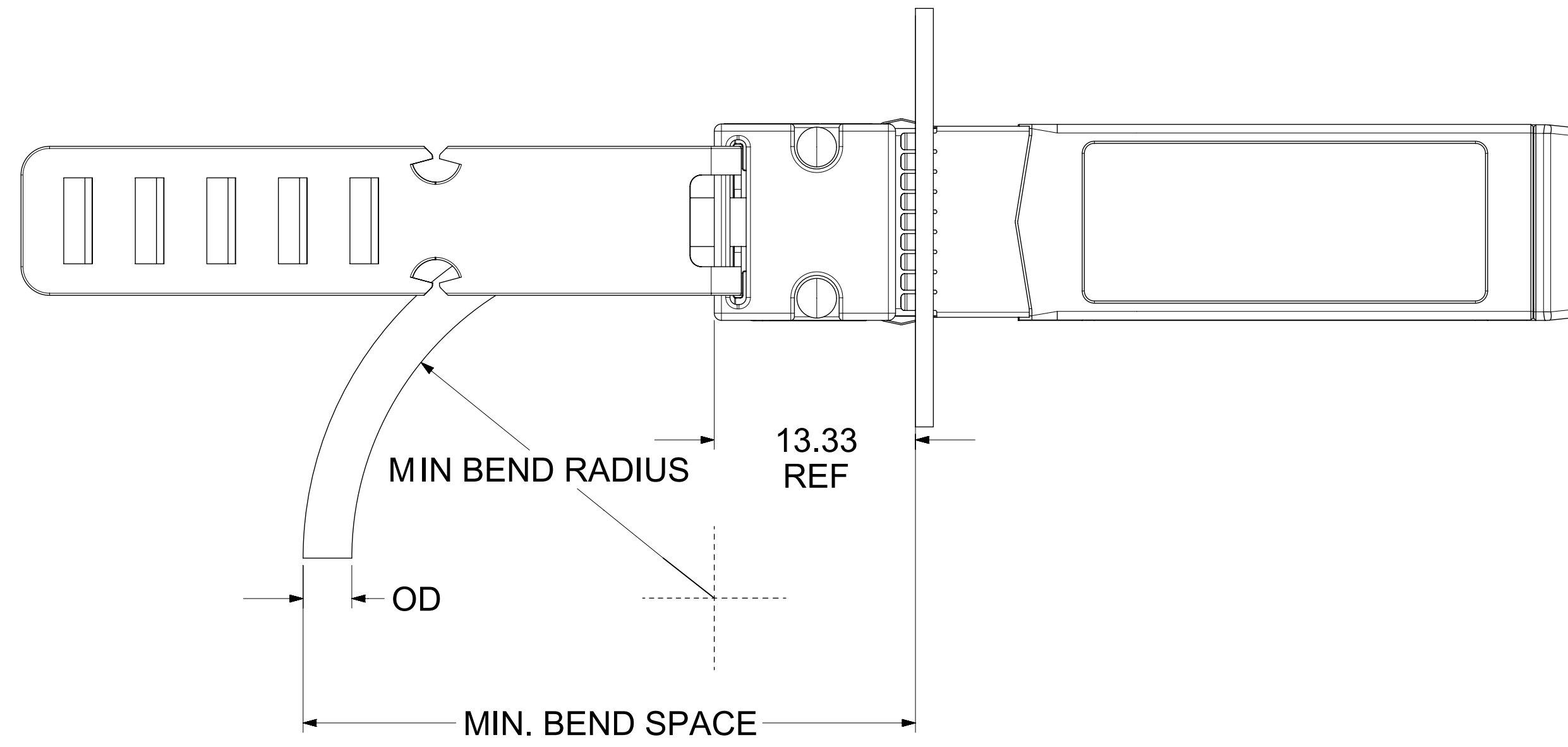
MOLEX P/N	LENGTH [M]	TOL [mm]	AWG
747521058	0.5	±30	30
747521068	0.6	±30	30
747521078	0.75	±30	30
747521108	1.0	±50	30
747521128	1.25	±50	30
747521158	1.5	±50	30
747521178	1.75	±50	30
747521208	2.0	±50	30
747521258	2.5	±50	30
747521308	3.0	±50	30
747521408	4.0	±50	30
747521508	5.0	±80	30
747523108	1.0	±50	26
747523208	2.0	±50	26
747523308	3.0	±50	26
747523408	4.0	±50	26
747523508	5.0	±80	26

- NOTES:
- MATERIALS
 - RAW CABLE - PVC
 - BACKSHELLS - NICKEL PLATED ZINC
 - DE-LATCH - PLASTIC
 - PULL - NYLON
 - PCB - HALOGEN FREE LAMINATE MATERIAL
 - IMPEDANCE - 100OHMS DIFFERENTIAL
 - RoHS COMPLIANT, NO EXEMPTIONS
 - EEPROM COMPLIANT TO SFF-8472 REV 11.0

THIS DRAWING CONTAINS INFORMATION THAT IS PROPRIETARY TO MOLEX ELECTRONIC TECHNOLOGIES, LLC AND SHOULD NOT BE USED WITHOUT WRITTEN PERMISSION

DIMENSION UNITS mm	SCALE 2:1	CURRENT REV DESC: ADDED EEPROM NOTE					
GENERAL TOLERANCES (UNLESS SPECIFIED)		EC NO: 175879					
ANGULAR TOL ± 2.0°		DRWN: GSARVADE 2018/04/20		PRODUCT CUSTOMER DRAWING			
4 PLACES ±		CHK'D: KNAGANNA 2018/04/30		DOCUMENT NUMBER			
3 PLACES ±		APPR: ARAYBURN 2018/04/30		747520008			
2 PLACES ± 0.13		INITIAL REVISION:		DOC TYPE			
1 PLACE ± 0.25		DRWN: EMEDINA02 2016/04/13		PSD			
0 PLACES ±		APPR: ARAYBURN 2016/04/18		000			
DRAFT WHERE APPLICABLE MUST REMAIN WITHIN DIMENSIONS	THIRD ANGLE PROJECTION	DRAWING	SERIES	MATERIAL NUMBER		CUSTOMER	
		D-SIZE	74752			GENERAL MARKET	
						REVISION	
						1 OF 3	

CABLE BEND RADIUS



CABLE AWG	CABLE OD [mm]	MINIMUM BEND RADIUS [mm]	MINIMUM BEND SPACE [mm]
30	4.20	21	38
26	5.20	26	44

P1 END			P2 END		
PAD	SIGNAL		PAD	SIGNAL	
12	RD-	←	19	TD-	
13	RD+	←	18	TD+	
18	TD+	→	13	RD+	
19	TD-	→	12	RD-	
02	Tx_Fault	NC NC	02	Tx_Fault	
03	Tx_Disable	NC NC	03	Tx_Disable	
04	SDA	■ ■	04	SDA	
05	SCL	■ ■	05	SCL	
06	Mod_ABS	NC NC	06	Mod_ABS	
07	RS0	NC NC	07	RS0	
08	Rx_LOS	NC NC	08	Rx_LOS	
09	RS1	NC NC	09	RS1	
15	VccR	NC NC	15	VccR	
16	VccT	NC NC	16	VccT	

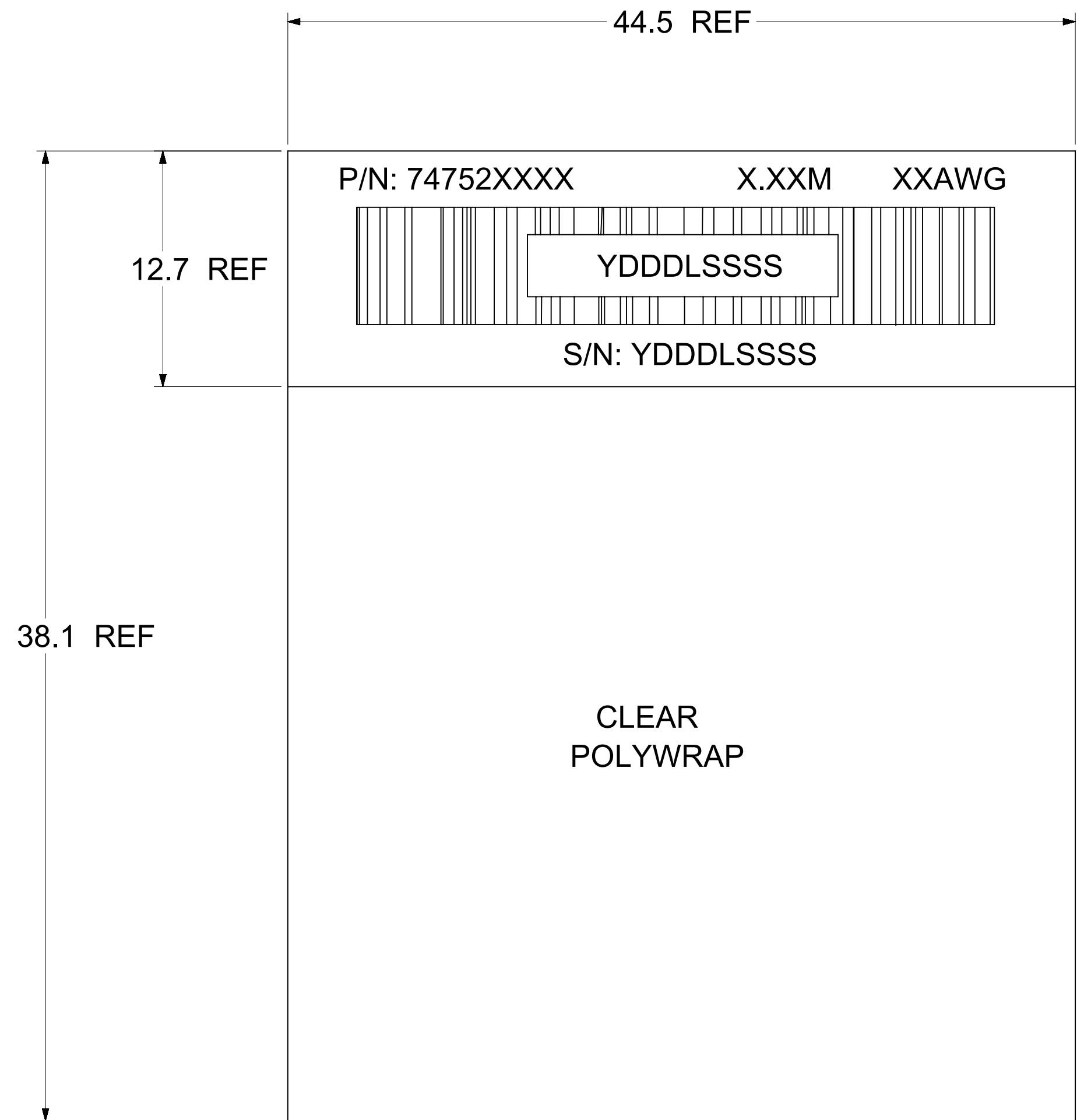
LEGEND:

- - THRU LINES
- NC - NOT CONNECTED
- - CONNECTION TO A DEVICE ON THE PCB

THIS DRAWING CONTAINS INFORMATION THAT IS PROPRIETARY TO MOLEX ELECTRONIC TECHNOLOGIES, LLC AND SHOULD NOT BE USED WITHOUT WRITTEN PERMISSION

DIMENSION UNITS mm	SCALE 3:1	CURRENT REV DESC: ADDED EEPROM NOTE		molex			
GENERAL TOLERANCES (UNLESS SPECIFIED)		EC NO: 175879					
ANGULAR TOL	± 2.0°	DRWN: GSARVADE 2018/04/20		PRODUCT CUSTOMER DRAWING			
4 PLACES	±	CHK'D: KNAGANNA 2018/04/30					
3 PLACES	±	APPR: ARAYBURN 2018/04/30		MATERIAL NUMBER: CUSTOMER: GENERAL MARKET SHEET NUMBER: 2 OF 3			
2 PLACES	± 0.13	INITIAL REVISION:					
1 PLACE	± 0.25	DRWN: EMEDINA02 2016/04/13		DRAFT WHERE APPLICABLE MUST REMAIN WITHIN DIMENSIONS			
0 PLACES	±	APPR: ARAYBURN 2016/04/18					
		D-DRAWING		D-SIZE			
		SERIES					
		SERIES		D-SIZE			
		SERIES					

CABLE LABEL DETAILS



P/N: SEE TABLE
 S/N: Y = YEAR, LAST DIGIT OF YEAR
 DDD = DAY OF THE YEAR
 L = LOCATION - 1 = USA
 2 = MEXICO
 3 = CHINA
 4 = PHILIPPINES

SSSS = SERIAL NUMBER

X.XXM: CABLE LENGTH, SEE TABLE

XXAWG: WIRE GAGE, SEE TABLE

(DATE CODE ISO-8601 FORMAT)

THIS DRAWING CONTAINS INFORMATION THAT IS PROPRIETARY TO MOLEX ELECTRONIC TECHNOLOGIES, LLC AND SHOULD NOT BE USED WITHOUT WRITTEN PERMISSION									
DIMENSION UNITS	SCALE	CURRENT REV DESC: ADDED EEPROM NOTE							
mm	2:1	molex							
GENERAL TOLERANCES (UNLESS SPECIFIED)		SFP+ TO SFP+ 10G PASSIVE CABLE ASSEMBLY							
ANGULAR TOL ± 2.0°		PRODUCT CUSTOMER DRAWING							
4 PLACES ±		EC NO: 175879							
3 PLACES ±		DRWN: GSARVADE 2018/04/20							
2 PLACES ± 0.13		CHK'D: KNAGANNA 2018/04/30							
1 PLACE ± 0.25		APPR: ARAYBURN 2018/04/30							
0 PLACES ±		INITIAL REVISION:							
DRAFT WHERE APPLICABLE MUST REMAIN WITHIN DIMENSIONS		DRWN: EMEDINA02 2016/04/13							
THIRD ANGLE PROJECTION		APPR: ARAYBURN 2016/04/18		DOCUMENT NUMBER		DOC TYPE		DOC PART	
		DRAWING	SERIES	747520008		PSD		000	
		D-SIZE	74752	747520008		GENERAL MARKET		3 OF 3	