



Chipsmall Limited consists of a professional team with an average of over 10 year of expertise in the distribution of electronic components. Based in Hongkong, we have already established firm and mutual-benefit business relationships with customers from,Europe,America and south Asia,supplying obsolete and hard-to-find components to meet their specific needs.

With the principle of “Quality Parts,Customers Priority,Honest Operation,and Considerate Service”,our business mainly focus on the distribution of electronic components. Line cards we deal with include Microchip,ALPS,ROHM,Xilinx,Pulse,ON,Everlight and Freescale. Main products comprise IC,Modules,Potentiometer,IC Socket,Relay,Connector.Our parts cover such applications as commercial,industrial, and automotives areas.

We are looking forward to setting up business relationship with you and hope to provide you with the best service and solution. Let us make a better world for our industry!



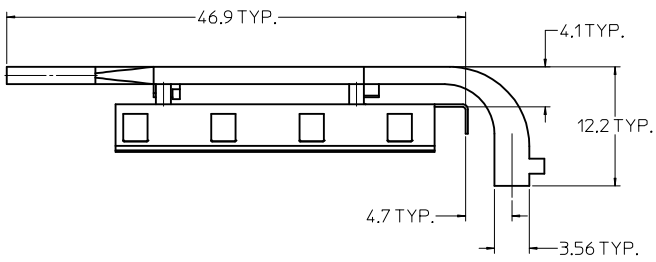
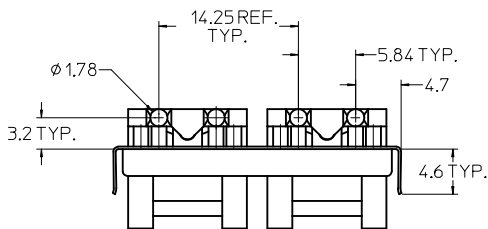
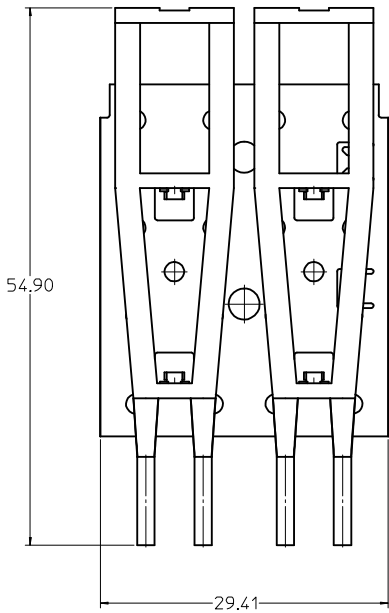
Contact us

Tel: +86-755-8981 8866 Fax: +86-755-8427 6832

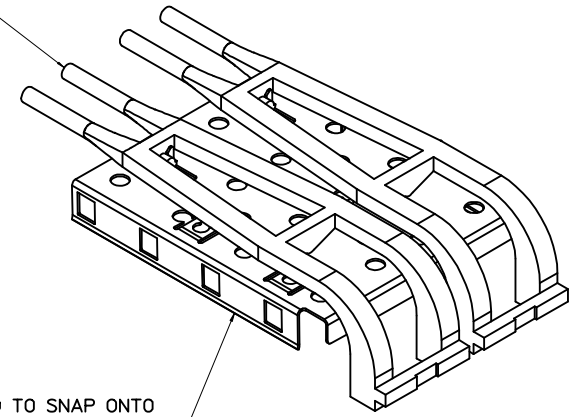
Email & Skype: info@chipsmall.com Web: www.chipsmall.com

Address: A1208, Overseas Decoration Building, #122 Zhenhua RD., Futian, Shenzhen, China





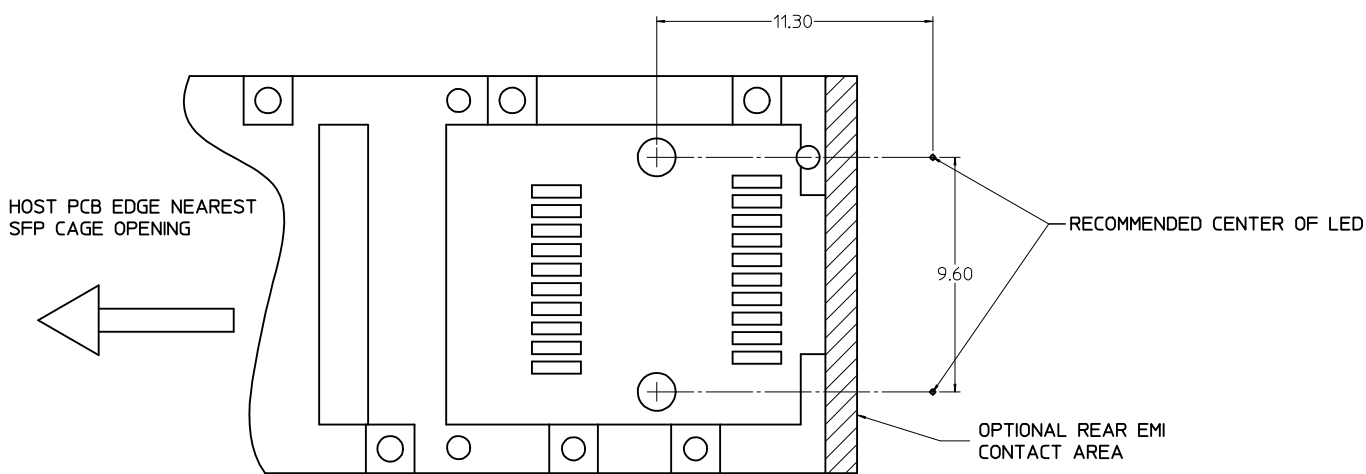
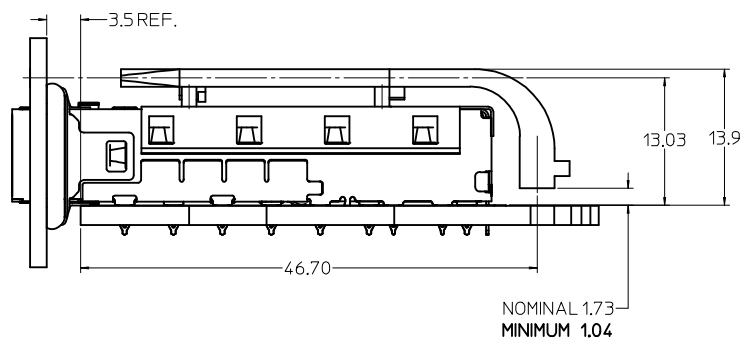
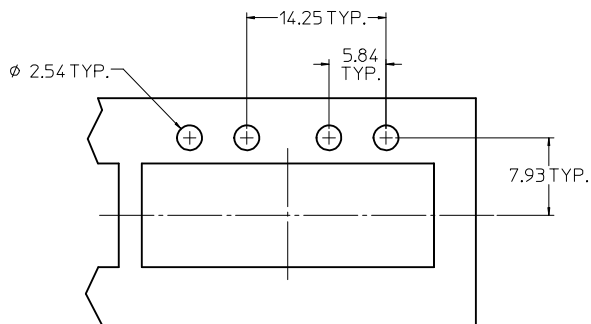
LIGHT PIPES SECURED TO METAL CAGE COVER



COVER DESIGNED TO SNAP ONTO THE SFP+ CAGE ASSEMBLY

1. MATERIAL:
COVER: COPPER ALLOY
LIGHT PIPE: POLYCARBONATE (94-V0 RATED)
2. THIS LIGHT PIPE ASSEMBLY IS TO BE USED WITH THE SFP+ 1X2 CAGE ASSEMBLY P/N 7475402**
3. IT IS RECOMMENDED THAT THE CAGE BE PRESSED INTO OR SOLDERED TO THE PCB PRIOR TO ASSEMBLING THE LIGHT PIPE ASSEMBLY.
4. NO RoHS EXEMPTIONS.

ENTER DESCRIPTION IEC NO: CPG2015-6065 DRAWN BY: DRWNSHETTY CHKD: APPR:RCHEN08 DATE: 2015/05/21 DATE: 2015/06/09	QUALITY SYMBOLS	GENERAL TOLERANCES (UNLESS SPECIFIED)	DIMENSION STYLE	SCALE	DESIGN UNITS	THIRD ANGLE PROJECTION
	∇=0 ∇=0 ∇=0	4 PLACES ± 3 PLACES ± 2 PLACES ±0.15 1 PLACE ±0.25 0 PLACE ±	mm INCH ANGULAR ± 1 ° DRAFT WHERE APPLICABLE MUST REMAIN WITHIN DIMENSIONS	MM ONLY DRAWN BY: K LLOYD DATE: 2007/12/06 CHECKED BY: MA JOHNSTON DATE: 2007/12/06 APPROVED BY: BLAU USY DATE: 2010/03/08	4:1	METRIC
THIS DRAWING CONTAINS INFORMATION THAT IS PROPRIETARY TO MOLEX INCORPORATED AND SHOULD NOT BE USED WITHOUT WRITTEN PERMISSION						SHEET NO. 1 OF 3



HOST PCB LAYOUT NOTES (SCALE 10:1)

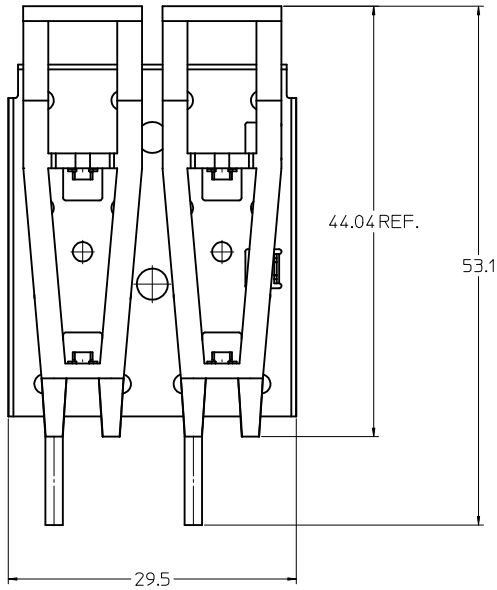
- LED SHOULD BE PLACED RELATIVE TO THE SFP CONNECTOR POST HOLES
- LAYOUT APPLIES TO EACH PORT

ENTER DESCRIPTION EC NO: CPG2015-6065 DRAWN BY: SHREY 2015/05/27 CHKD: APPR: RCHEN08 2015/06/09 REV DESCRIPTION	QUALITY SYMBOLS	GENERAL TOLERANCES (UNLESS SPECIFIED)	DIMENSION STYLE	SCALE	DESIGN UNITS	THIRD ANGLE PROJECTION
	▽=0	4 PLACES ± --- ± ---	MM ONLY	4:1	METRIC	
	▽=0	3 PLACES ± --- ± ---				
	▽=0	2 PLACES ± 0.15 ± ---				
		1 PLACE ± 0.25 ± ---				
		0 PLACE ± ±				
		ANGULAR ± 1 °				
		DRAFT WHERE APPLICABLE MUST REMAIN WITHIN DIMENSIONS				
			MATERIAL NO.	DOCUMENT NO.		
			747540021	SD-74754-0021		
						SHEET NO.
						2 OF 3
			THIS DRAWING CONTAINS INFORMATION THAT IS PROPRIETARY TO MOLEX INCORPORATED AND SHOULD NOT BE USED WITHOUT WRITTEN PERMISSION			

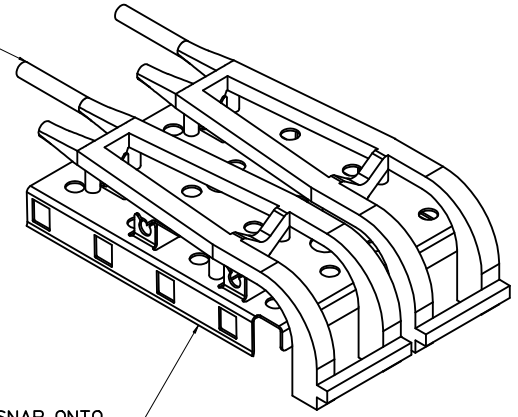
REVISION HISTORY

DATE	REV	DESCRIPTION
2015/05/20	D	SHEET1: 12 LIGHT PIPE PROFILE UPDATED SHEET3 : ADDED A REVISION TABLE

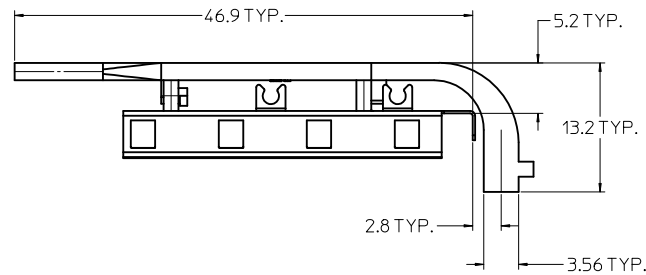
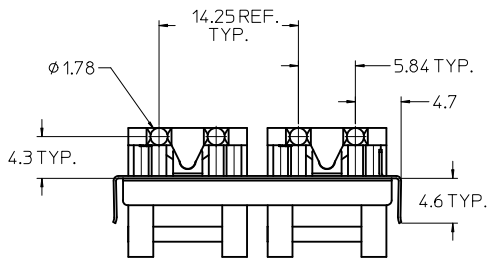
ENTER DESCRIPTION IEC NO: CPG2015-6065 DRAWN BY: CHYKD APPR: RCHEN08 2015/05/21 2015/06/09	QUALITY SYMBOLS ▽=0 ▽=0 ▽=0	GENERAL TOLERANCES (UNLESS SPECIFIED)		DIMENSION STYLE MM ONLY	SCALE 1:1	DESIGN UNITS METRIC	THIRD ANGLE PROJECTION
		4 PLACES ± --- ± --- 3 PLACES ± --- ± --- 2 PLACES ± 0.15 ± --- 1 PLACE ± 0.25 ± --- 0 PLACE ± ±	mm INCH	DRAWN BY: K LLOYD DATE: 2007/12/06 CHECKED BY: MA JOHNSTON DATE: 2007/12/06 APPROVED BY: BLAU USY DATE: 2010/03/08	TITLE SFP+ 1X2 LIGHT PIPE ASSEMBLY, LOW PROFILE	MATERIAL NO. 747540021	DOCUMENT NO. SD-74754-0021
ANGULAR ± 1 ° DRAFT WHERE APPLICABLE MUST REMAIN WITHIN DIMENSIONS		THIS DRAWING CONTAINS INFORMATION THAT IS PROPRIETARY TO MOLEX INCORPORATED AND SHOULD NOT BE USED WITHOUT WRITTEN PERMISSION					



LIGHT PIPES SECURED TO METAL CAGE COVER



COVER DESIGNED TO SNAP ONTO THE SFP+ CAGE ASSEMBLY



1. MATERIAL:

COVER: COPPER ALLOY
 LIGHT PIPE: POLYCARBONATE (94-V0 RATED)

- THIS LIGHT PIPE ASSEMBLY IS TO BE USED WITH THE SFP+ 1X2 CAGE ASSEMBLY P/N 7475402**
- IT IS RECOMMENDED THAT THE CAGE BE PRESSED INTO OR SOLDERED TO THE PCB PRIOR TO ASSEMBLING THE LIGHT PIPE ASSEMBLY.

- THIS PART MEETS THE RESTRICTION OF HAZARDOUS SUBSTANCES IN ELECTRICAL AND ELECTRONIC EQUIPMENT (RoHS) DIRECTIVE (2002/95/EC)

INITIAL RELEASE EC NO: USY2011-0623 DRAWN: ERWIN 2011/02/18 CHKD: K JANOTA 2011/02/18 APPR: K JANOTA 2011/05/03 REV DESCRIPTION	QUALITY SYMBOLS		GENERAL TOLERANCES (UNLESS SPECIFIED)		DIMENSION STYLE		SCALE	DESIGN UNITS	THIRD ANGLE PROJECTION
	▽=0	▽=0	mm	INCH	MM ONLY		4:1	METRIC	
			4 PLACES ±---	±---	DRAWN BY	DATE	TITLE		
			3 PLACES ±---	±---	JERWIN	2011/02/18	SFP+ 1X2 LIGHT PIPE ASSEMBLY		
		2 PLACES ±0.15	±---	CHECKED BY	DATE				
		1 PLACE ±0.25	±---	KJANOTA	2011/02/18				
		ANGULAR ± 1°		APPROVED BY	DATE				
		DRAFT WHERE APPLICABLE MUST REMAIN WITHIN DIMENSIONS		KJANOTA	2011/05/03				
				MATERIAL NO.		DOCUMENT NO.		SHEET NO.	
				747540025		SD-74754-0025		1 OF 2	
				THIS DRAWING CONTAINS INFORMATION THAT IS PROPRIETARY TO MOLEX INCORPORATED AND SHOULD NOT BE USED WITHOUT WRITTEN PERMISSION					

