



Chipsmall Limited consists of a professional team with an average of over 10 year of expertise in the distribution of electronic components. Based in Hongkong, we have already established firm and mutual-benefit business relationships with customers from,Europe,America and south Asia,supplying obsolete and hard-to-find components to meet their specific needs.

With the principle of “Quality Parts,Customers Priority,Honest Operation,and Considerate Service”,our business mainly focus on the distribution of electronic components. Line cards we deal with include Microchip,ALPS,ROHM,Xilinx,Pulse,ON,Everlight and Freescale. Main products comprise IC,Modules,Potentiometer,IC Socket,Relay,Connector.Our parts cover such applications as commercial,industrial, and automotives areas.

We are looking forward to setting up business relationship with you and hope to provide you with the best service and solution. Let us make a better world for our industry!



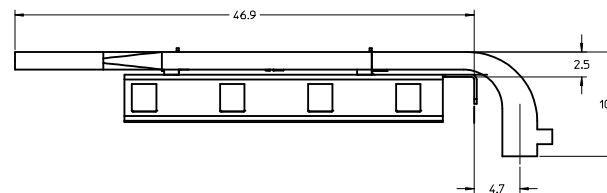
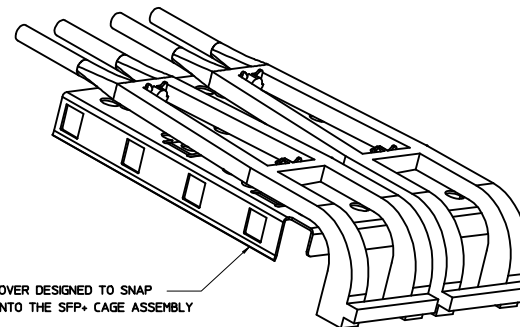
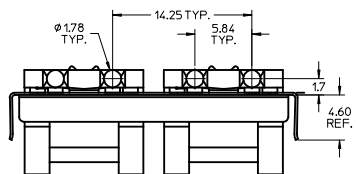
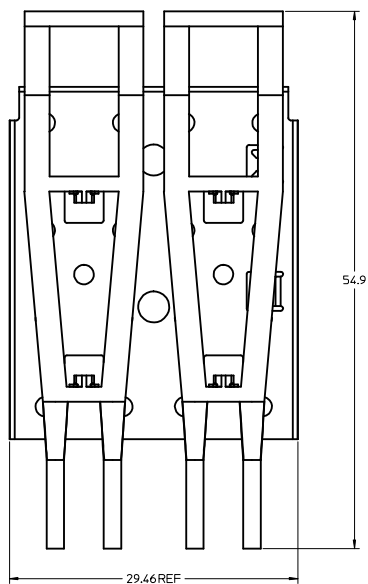
## Contact us

Tel: +86-755-8981 8866 Fax: +86-755-8427 6832

Email & Skype: info@chipsmall.com Web: www.chipsmall.com

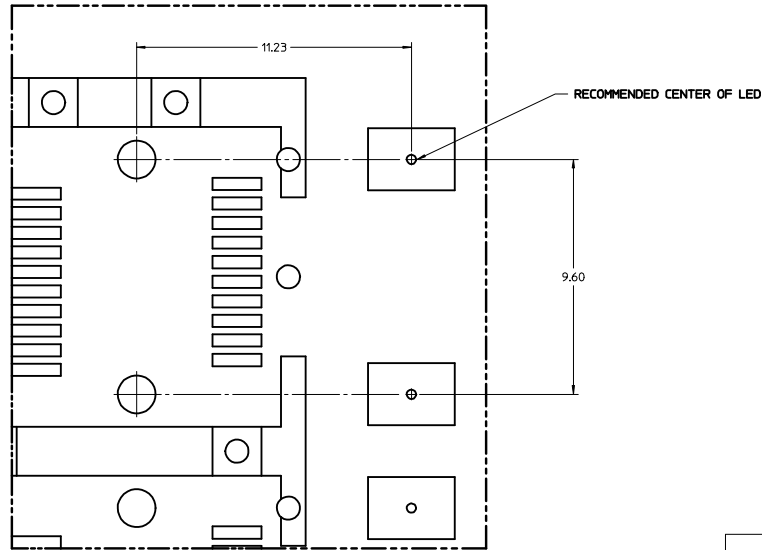
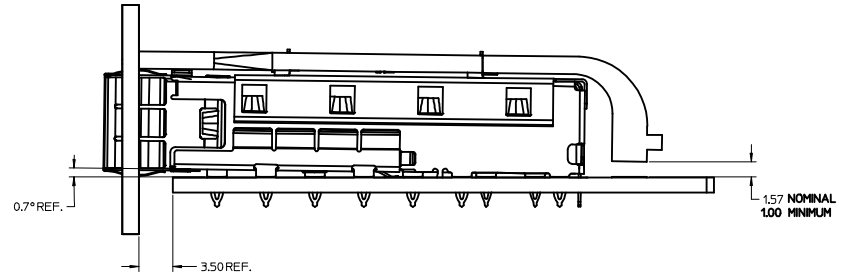
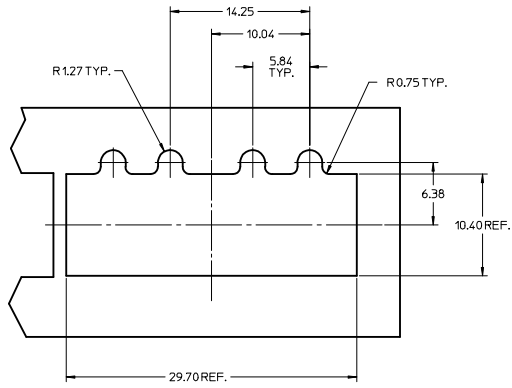
Address: A1208, Overseas Decoration Building, #122 Zhenhua RD., Futian, Shenzhen, China





1. MATERIAL:  
COVER: COPPER ALLOY  
LIGHT PIPE: POLYCARBONATE (94-V0 RATED)
2. THIS LIGHT PIPE ASSEMBLY IS TO BE USED WITH THE SFP+ 1X4 CAGE ASSEMBLY P/N 747540224
3. IT IS RECOMMENDED THAT THE CAGE BE PRESSED INTO OR SOLDERED TO THE PCB PRIOR TO ASSEMBLING THE LIGHT PIPE ASSEMBLY.
4. THIS PART MEETS THE RESTRICTION OF HAZARDOUS SUBSTANCES IN ELECTRICAL AND ELECTRONIC EQUIPMENT (RoHS) DIRECTIVE (2002/95/EC)

RELEASED IEC NO. USY2009-0596 DRAWN BY: JRESENDE 2009/08/26 CHYKD: 2009/08/26 APPR.: JRESENDE 2009/08/26 REV:	QUALITY SYMBOLS	GENERAL TOLERANCES (UNLESS SPECIFIED)	DIMENSION STYLE	SCALE	DESIGN UNITS	THIRD ANGLE PROJECTION
	▽=0 ▽=0	mm INCH 4 PLACES ± --- ± --- 3 PLACES ± --- ± --- 2 PLACES ± 0.15 ± --- 1 PLACE ± 0.25 ± --- ANGULAR ± 1°	MM ONLY	4:1	METRIC	
	DESCRIPTION	DRAFT WHERE APPLICABLE MUST REMAIN WITHIN DIMENSIONS	DRAWN BY: JRESENDE 2009/6/19	DATE: 2009/6/19	TITLE: SFP+ 1X2 PCI LIGHT PIPE COVER ASSY, ULTRA LOW PROFILE, BACK TOP	
	MATERIAL NO. 747540024	APPROVED BY: KJANOTA 2009/6/19	DATE: 2009/6/19	MOLEX INCORPORATED		SHEET NO. 1 OF 2



HOST PCB LAYOUT (SCALE 10:1)  
 1. LED SHOULD BE PLACED RELATIVE TO THE SFP CONNECTOR POST HOLES  
 2. LAYOUT APPLIES TO EACH PORT

<b>RELEASED</b> IEC NO. USY2009-0596 DRAWN: JRESENDE 2009/08/26 CHKD: JRESENDE 2009/08/26 APPR: JRESENDE 2009/08/26 REV:	QUALITY SYMBOLS	GENERAL TOLERANCES (UNLESS SPECIFIED)	DIMENSION STYLE	SCALE	DESIGN UNITS	THIRD ANGLE PROJECTION																	
	$\nabla=0$ $\nabla=0$	<table border="1"> <thead> <tr> <th></th> <th>mm</th> <th>INCH</th> </tr> </thead> <tbody> <tr> <td>4 PLACES</td> <td>±---</td> <td>±---</td> </tr> <tr> <td>3 PLACES</td> <td>±---</td> <td>±---</td> </tr> <tr> <td>2 PLACES</td> <td>±0.15</td> <td>±---</td> </tr> <tr> <td>1 PLACE</td> <td>±0.25</td> <td>±---</td> </tr> </tbody> </table>		mm	INCH	4 PLACES	±---	±---	3 PLACES	±---	±---	2 PLACES	±0.15	±---	1 PLACE	±0.25	±---	MM ONLY	3:1	METRIC			
		mm	INCH																				
	4 PLACES	±---	±---																				
3 PLACES	±---	±---																					
2 PLACES	±0.15	±---																					
1 PLACE	±0.25	±---																					
DESCRIPTION	DRAFT WHERE APPLICABLE MUST REMAIN WITHIN DIMENSIONS	<table border="1"> <thead> <tr> <th>DRAWN BY</th> <th>DATE</th> <th>TITLE</th> </tr> </thead> <tbody> <tr> <td>JRESENDE</td> <td>2009/6/19</td> <td>SFP+ 1X2 PCI LIGHT PIPE COVER ASSY, ULTRA LOW PROFILE, BACK TOP</td> </tr> <tr> <td>JRESENDE</td> <td>2009/6/19</td> <td></td> </tr> <tr> <td>KJANOTA</td> <td>2009/6/19</td> <td></td> </tr> </tbody> </table>	DRAWN BY	DATE	TITLE	JRESENDE	2009/6/19	SFP+ 1X2 PCI LIGHT PIPE COVER ASSY, ULTRA LOW PROFILE, BACK TOP	JRESENDE	2009/6/19		KJANOTA	2009/6/19		<table border="1"> <thead> <tr> <th>MATERIAL NO.</th> <th>DOCUMENT NO.</th> </tr> </thead> <tbody> <tr> <td>747540024</td> <td>SD-74754-0024</td> </tr> </tbody> </table>	MATERIAL NO.	DOCUMENT NO.	747540024	SD-74754-0024	<b>MOLEX INCORPORATED</b>	<table border="1"> <thead> <tr> <th>SHEET NO.</th> </tr> </thead> <tbody> <tr> <td>2 OF 2</td> </tr> </tbody> </table>	SHEET NO.	2 OF 2
DRAWN BY	DATE	TITLE																					
JRESENDE	2009/6/19	SFP+ 1X2 PCI LIGHT PIPE COVER ASSY, ULTRA LOW PROFILE, BACK TOP																					
JRESENDE	2009/6/19																						
KJANOTA	2009/6/19																						
MATERIAL NO.	DOCUMENT NO.																						
747540024	SD-74754-0024																						
SHEET NO.																							
2 OF 2																							
THIS DRAWING CONTAINS INFORMATION THAT IS PROPRIETARY TO MOLEX INCORPORATED AND SHOULD NOT BE USED WITHOUT WRITTEN PERMISSION																							