



Chipsmall Limited consists of a professional team with an average of over 10 year of expertise in the distribution of electronic components. Based in Hongkong, we have already established firm and mutual-benefit business relationships with customers from,Europe,America and south Asia,supplying obsolete and hard-to-find components to meet their specific needs.

With the principle of "Quality Parts,Customers Priority,Honest Operation,and Considerate Service",our business mainly focus on the distribution of electronic components. Line cards we deal with include Microchip,ALPS,ROHM,Xilinx,Pulse,ON,Everlight and Freescale. Main products comprise IC,Modules,Potentiometer,IC Socket,Relay,Connector.Our parts cover such applications as commercial,industrial, and automotives areas.

We are looking forward to setting up business relationship with you and hope to provide you with the best service and solution. Let us make a better world for our industry!



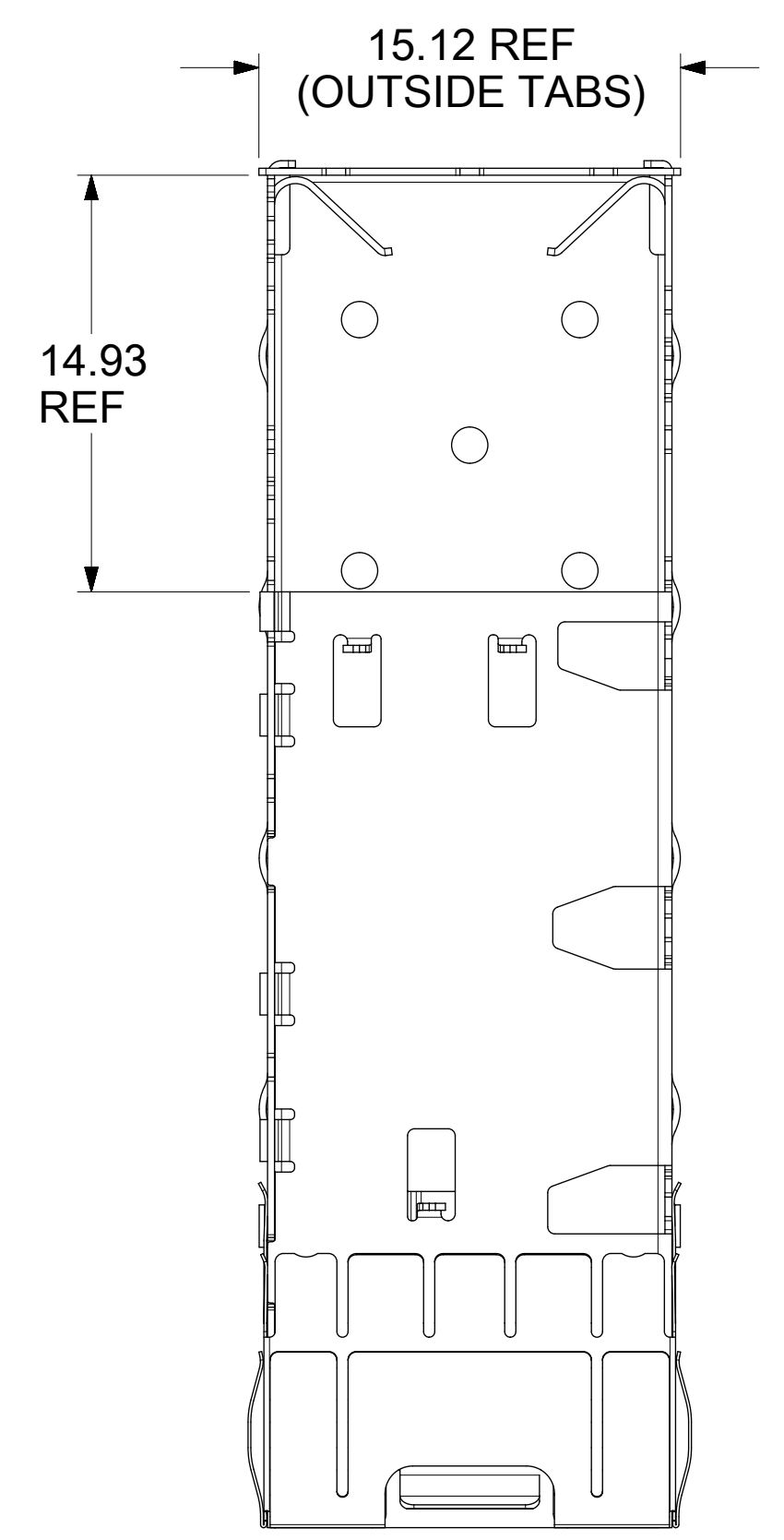
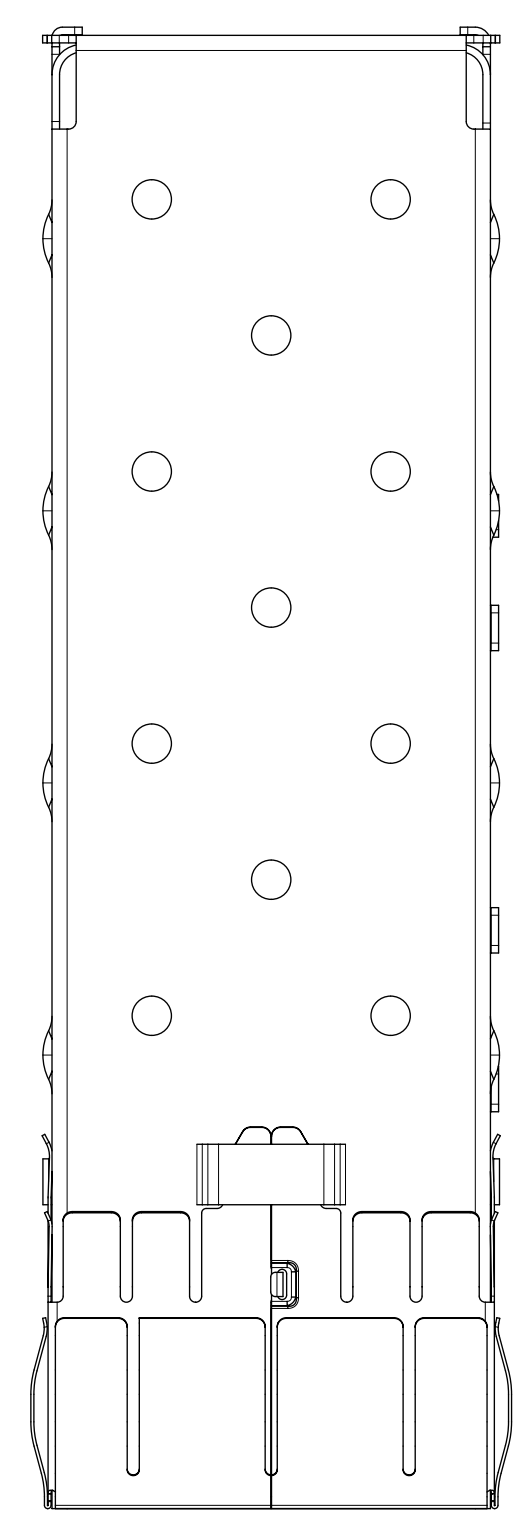
## Contact us

Tel: +86-755-8981 8866 Fax: +86-755-8427 6832

Email & Skype: info@chipsmall.com Web: www.chipsmall.com

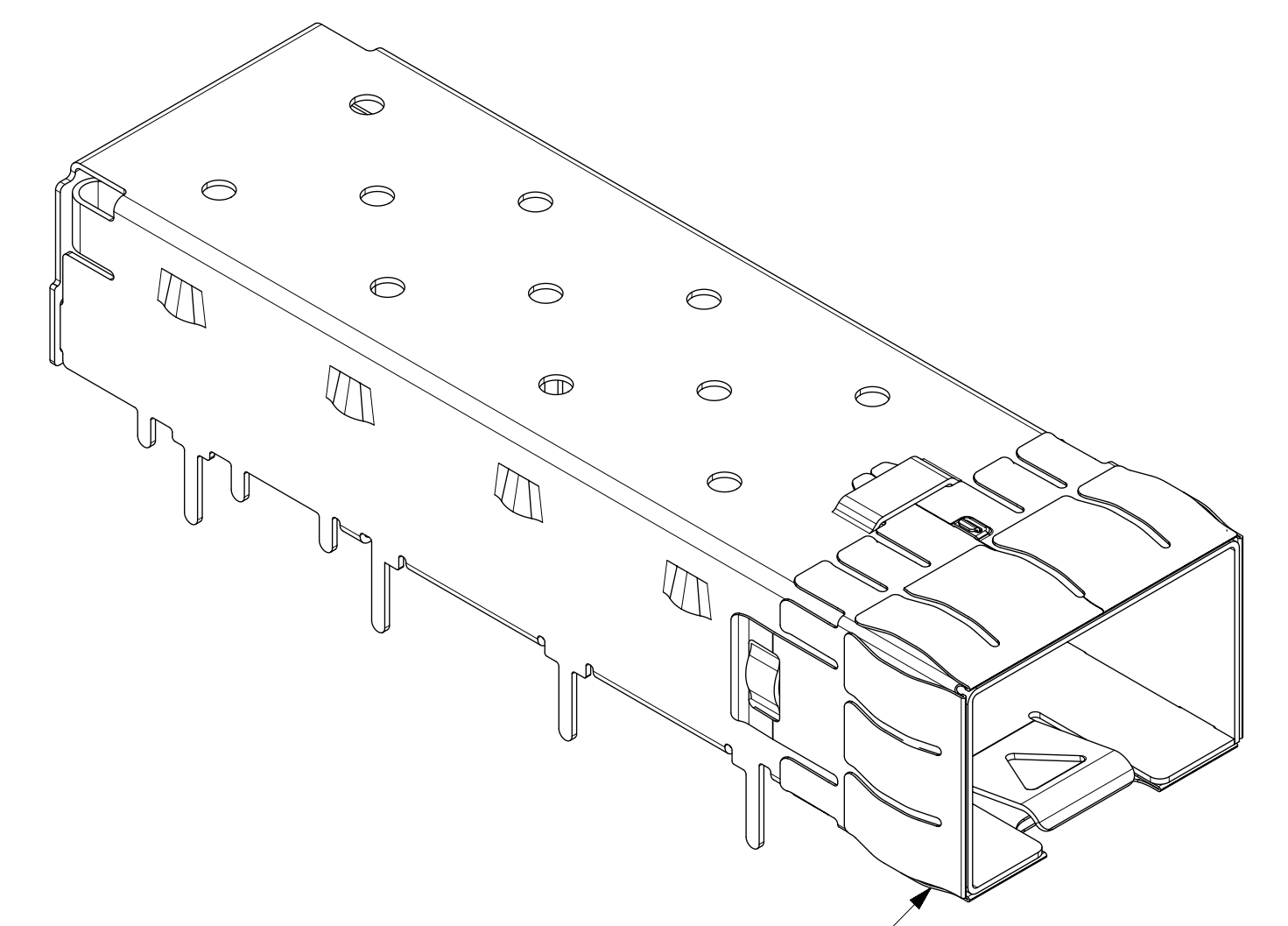
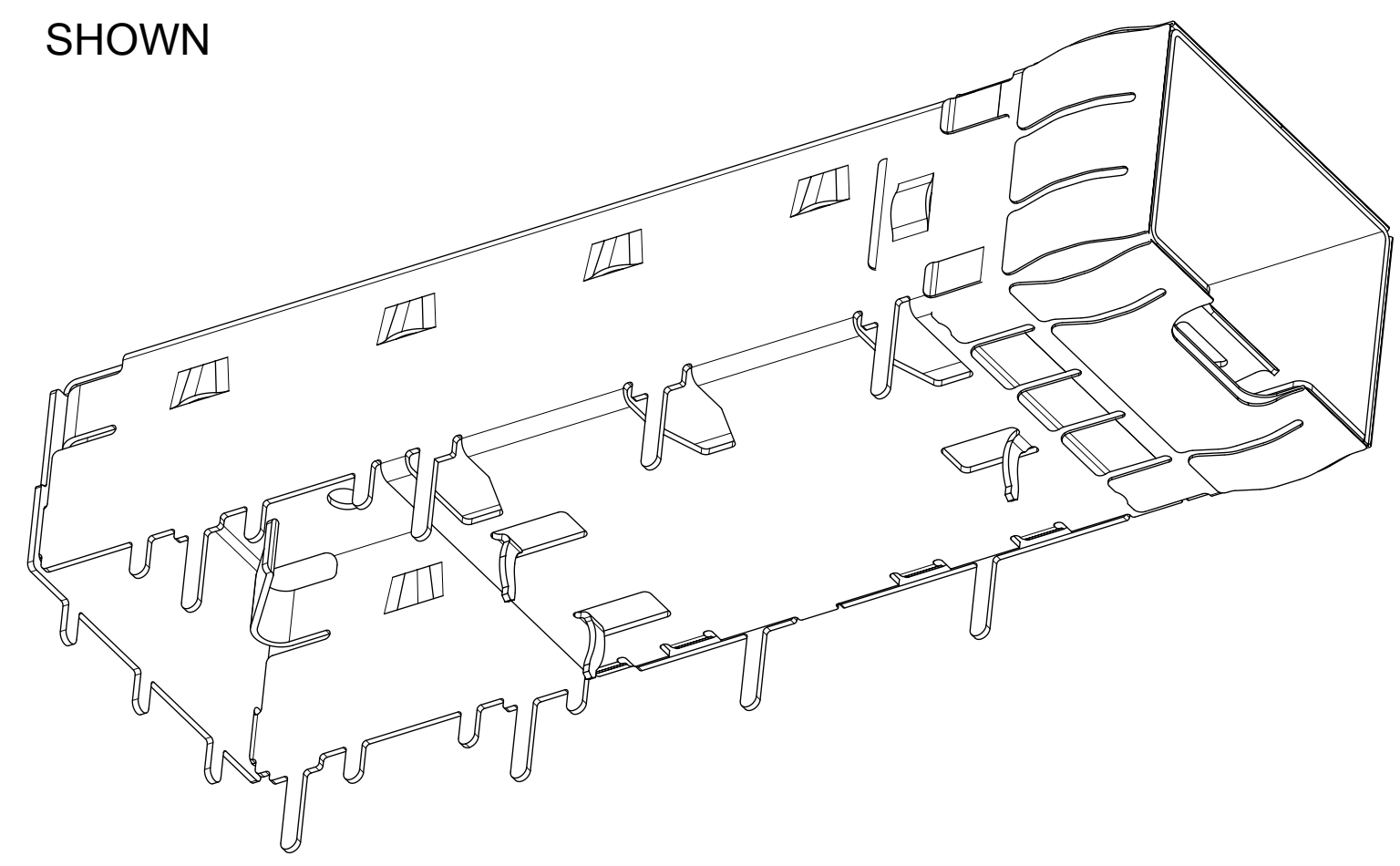
Address: A1208, Overseas Decoration Building, #122 Zhenhua RD., Futian, Shenzhen, China



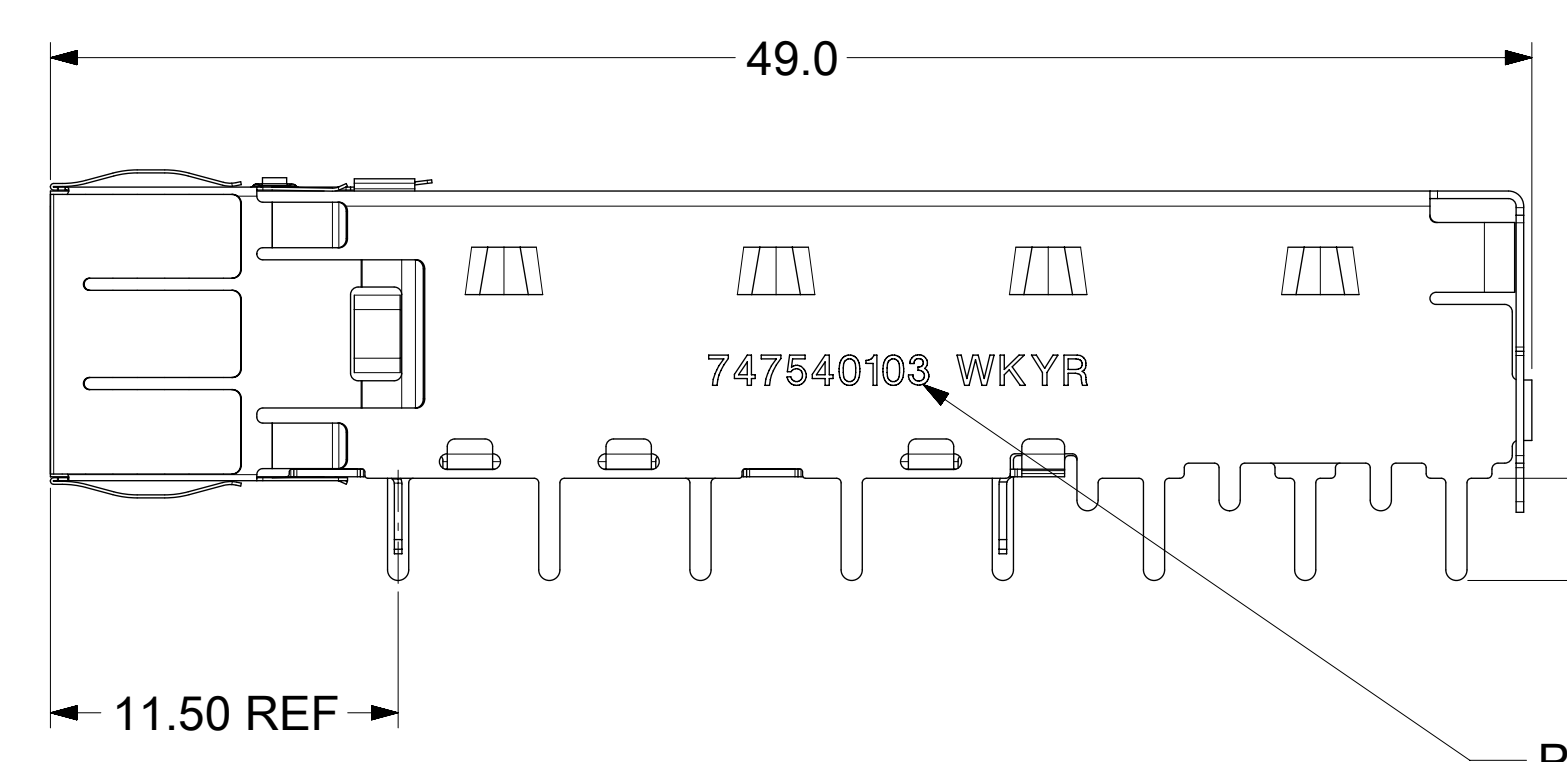
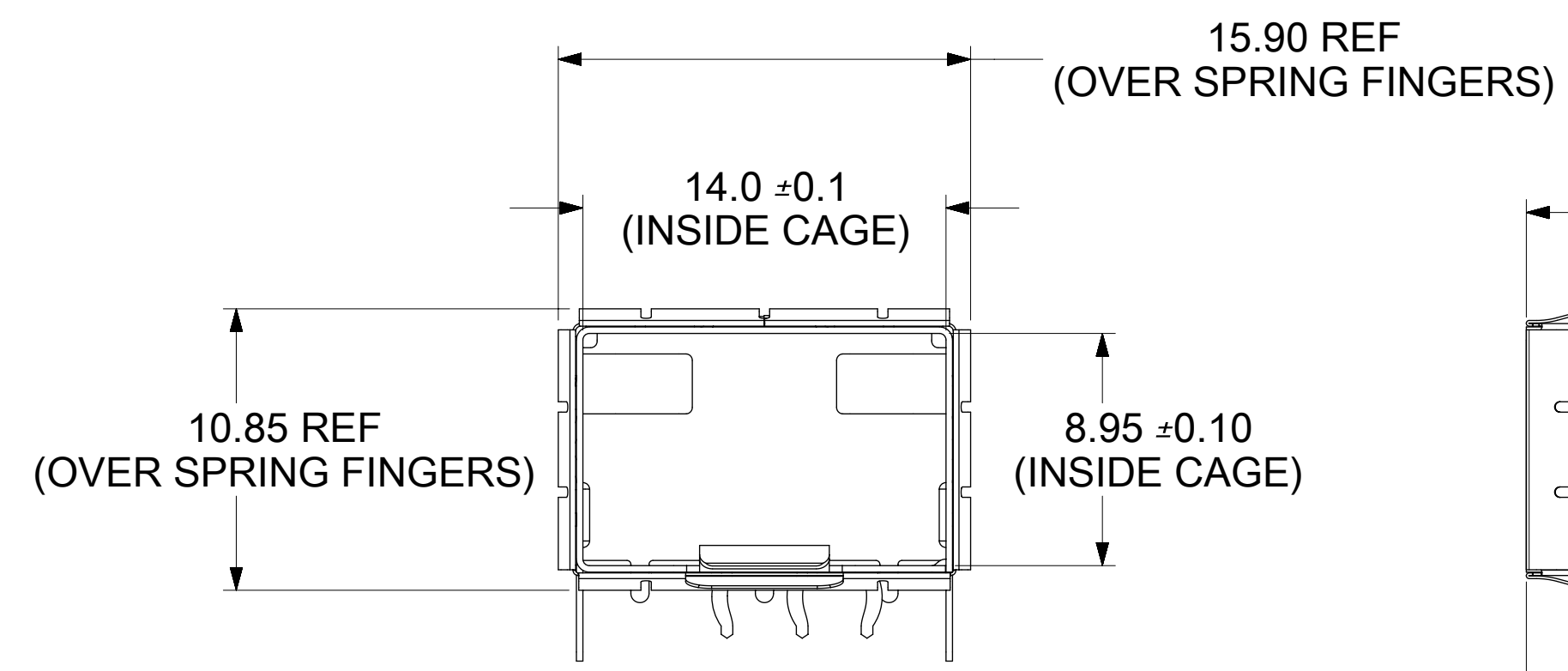


747540103

SHOWN



EMI SPRING



P/N AND WEEK/YEAR DATE CODE TO BE PRINTED / STAMPED ON THE SIDE OF COMPLETED CAGE ASSEMBLY AS SHOWN.

SEE TABLE BELOW FOR DATE CODE INFORMATION.

WEEK/YEAR DATE CODE TABLE	
WK	WEEK OF THE YEAR 01 THRU 52 (EXAMPLE: 01= FIRST WEEK OF YEAR 52= LAST WEEK OF YEAR)
YR	16, 17, 18 ETC.. (EXAMPLE: YEAR 2016= 16)

NOTES:

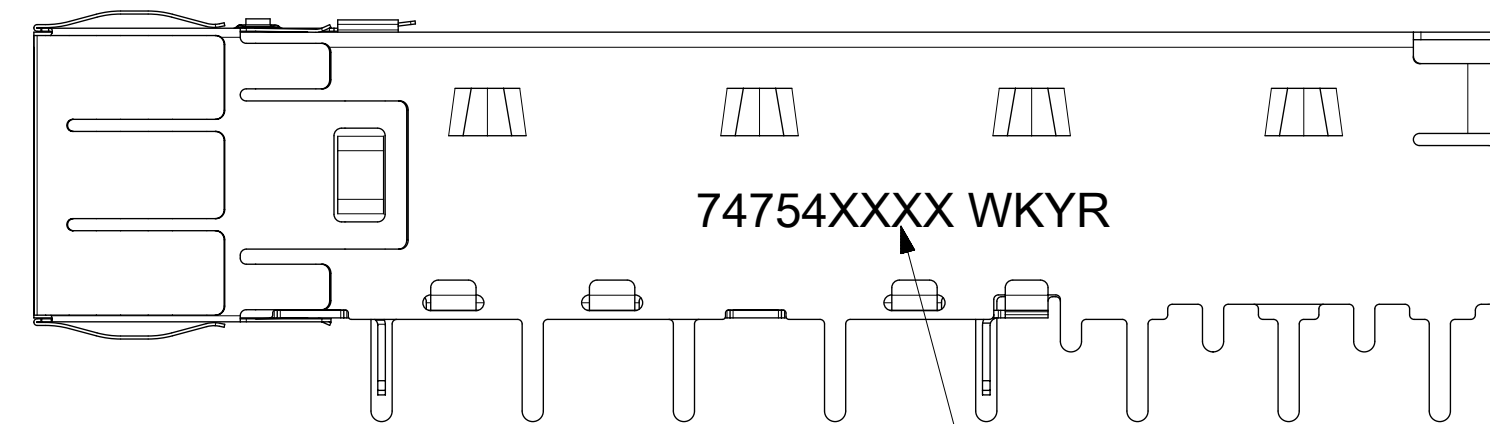
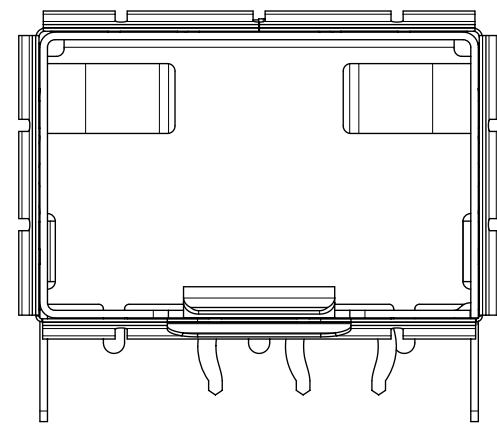
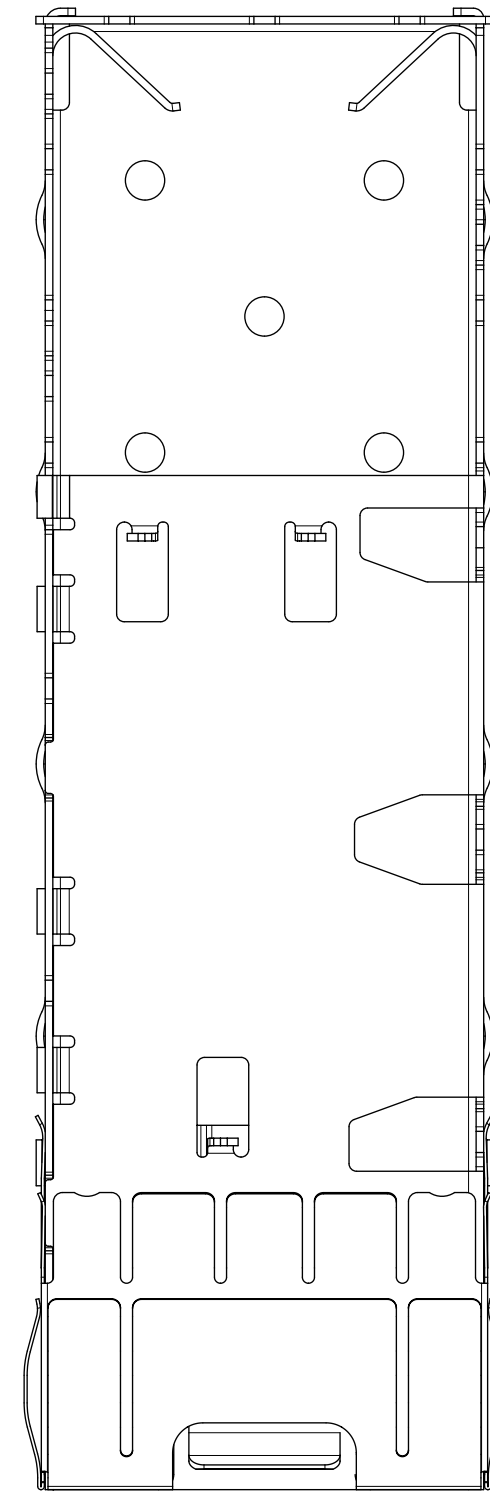
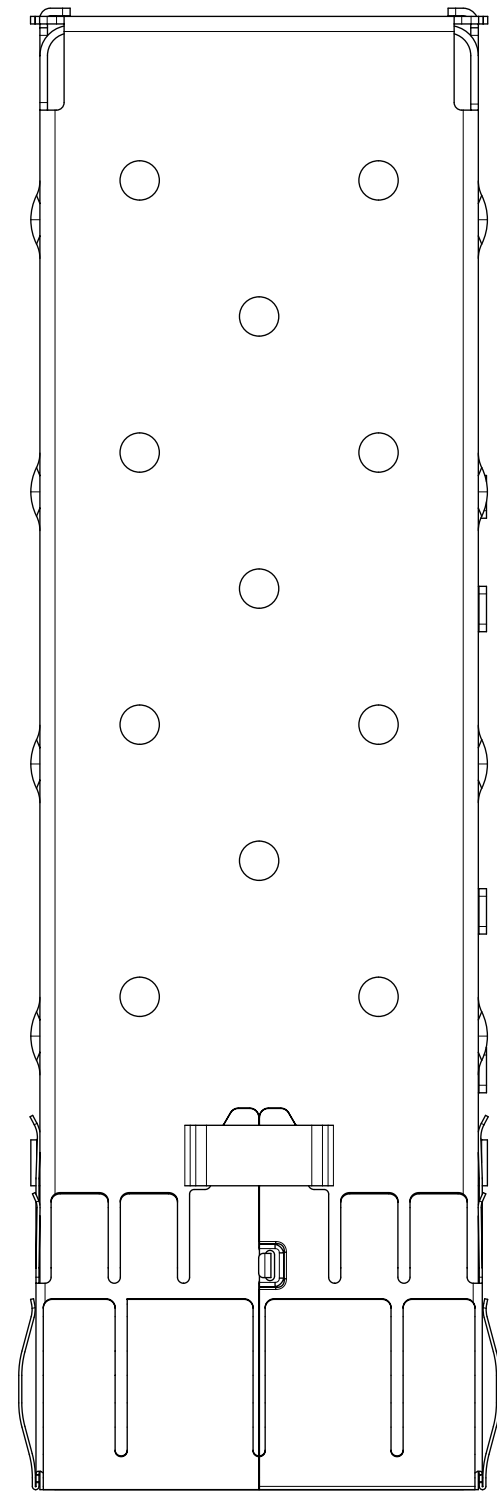
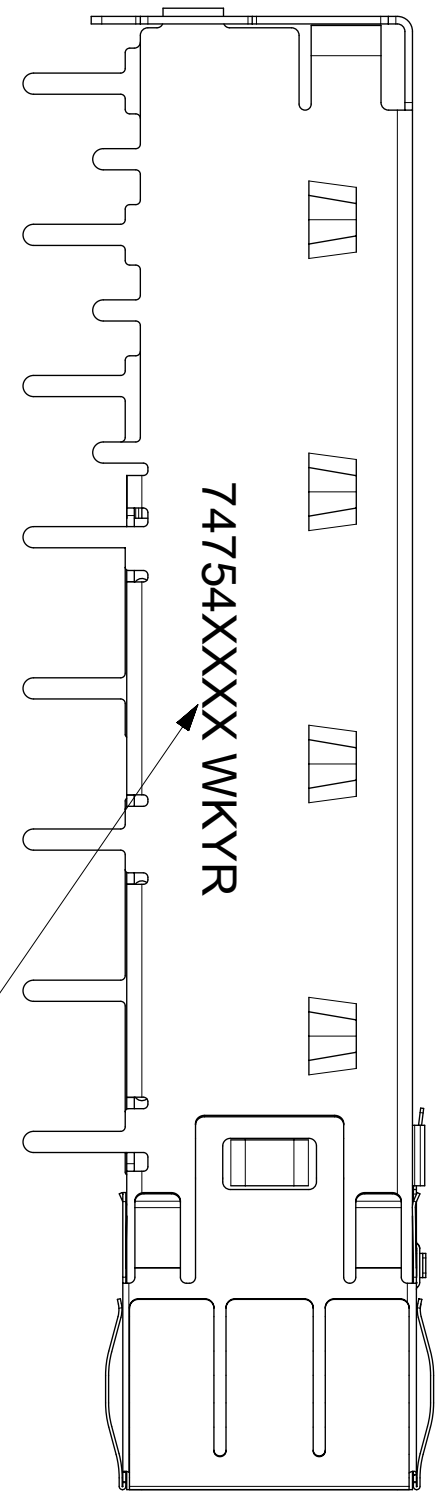
- MATERIAL:  
CAGE: COPPER ALLOY, THICKNESS 0.25mm  
SPRING FINGER: NICKEL PLATED COPPER ALLOY, THICKNESS 0.10mm
- OPTIONAL LIGHT PIPE ASSEMBLY AVAILABLE
- PORTS ARE DESIGNED FOR SFP+ TRANSCEIVERS AND ARE BACKWARDS COMPATIBLE WITH SFP TRANSCEIVERS
- NO RoHS EXEMPTIONS
- WITHOUT ANY DISCOLORATION AFTER IR REFLOW TEST (REFER TO PS OF 747540001)

SFP+ 1X1 CAGE				
PART NO.	PLATING	DIM, A	PACKING	SHEET NO.
747540103	PRE-PLATED WITH NICKEL	3.38	TRAY	SHEET 1
747540120	UNPLATED	3.38	TRAY	SHEET 2
747540134	PRE-PLATED WITH NICKEL	2.80	TRAY	SHEET 2
747540901	PRE-PLATED WITH NICKEL	2.20	TRAY	SHEET 2
747548103	MATT TIN	2.80	T & R	SHEET 2
747540906	PRE-PLATED WITH NICKEL	2.20	T & R	SHEET 2

THIS DRAWING CONTAINS INFORMATION THAT IS PROPRIETARY TO MOLEX ELECTRONIC TECHNOLOGIES, LLC AND SHOULD NOT BE USED WITHOUT WRITTEN PERMISSION

QUALITY SYMBOLS F = 0 E = 0 E = 0 C = 0 C = 0 X = 0 = 0 = 0	SEE REVISION TABLE EC NO: 110131 DRWN: DSUN15 CHKD: DSUN15 REV APPR: RCHEN08	GENERAL TOLERANCES (UNLESS SPECIFIED) DIMENSION UNITS: MM SCALE: 4:1 ANGULAR TOL ± 1.0 °	DIMENSION UNITS: MM SCALE: 4:1			
		4 PLACES ± 3 PLACES ± 2 PLACES ± 0.15 1 PLACE ± 0.25 0 PLACES ±	DRWN BY: BTEJA DATE: 2016/02/28 CHKD BY: DSUN15 DATE: 2016/03/02		SFP+ 1X1 CAGE ASSEMBLY WITH SPRING FINGERS AND SOLDER POST LEGS	
		DRAFT WHERE APPLICABLE MUST REMAIN WITHIN DIMENSIONS	APPR BY: RCHEN08 DATE: 2016/03/08			PRODUCT CUSTOMER DRAWING
		DIMENSION UNITS: D THIRD ANGLE PROJECTION	SERIES: 74754 MATERIAL NUMBER: SEE P/N TABLE CUSTOMER:			

DOCUMENT NUMBER: 747540103	DOC TYPE: PSD	DOC PART: ASY	SHEET NUMBER: 1 OF 5
----------------------------	---------------	---------------	----------------------



P/N AND WEEK/YEAR DATE CODE TO BE PRINTED ON THE SIDE OF COMPLETED CAGE ASSEMBLY AS SHOWN.

SEE TABLE BELOW FOR DATE CODE INFORMATION.

WEEK/YEAR DATE CODE TABLE	
WK	WEEK OF THE YEAR 01 THRU 52 (EXAMPLE: 01= FIRST WEEK OF YEAR 52= LAST WEEK OF YEAR)
YR	16, 17, 18 ETC.. (EXAMPLE: YEAR 2016= 16)

MOLEX INTERNAL USE ONLY

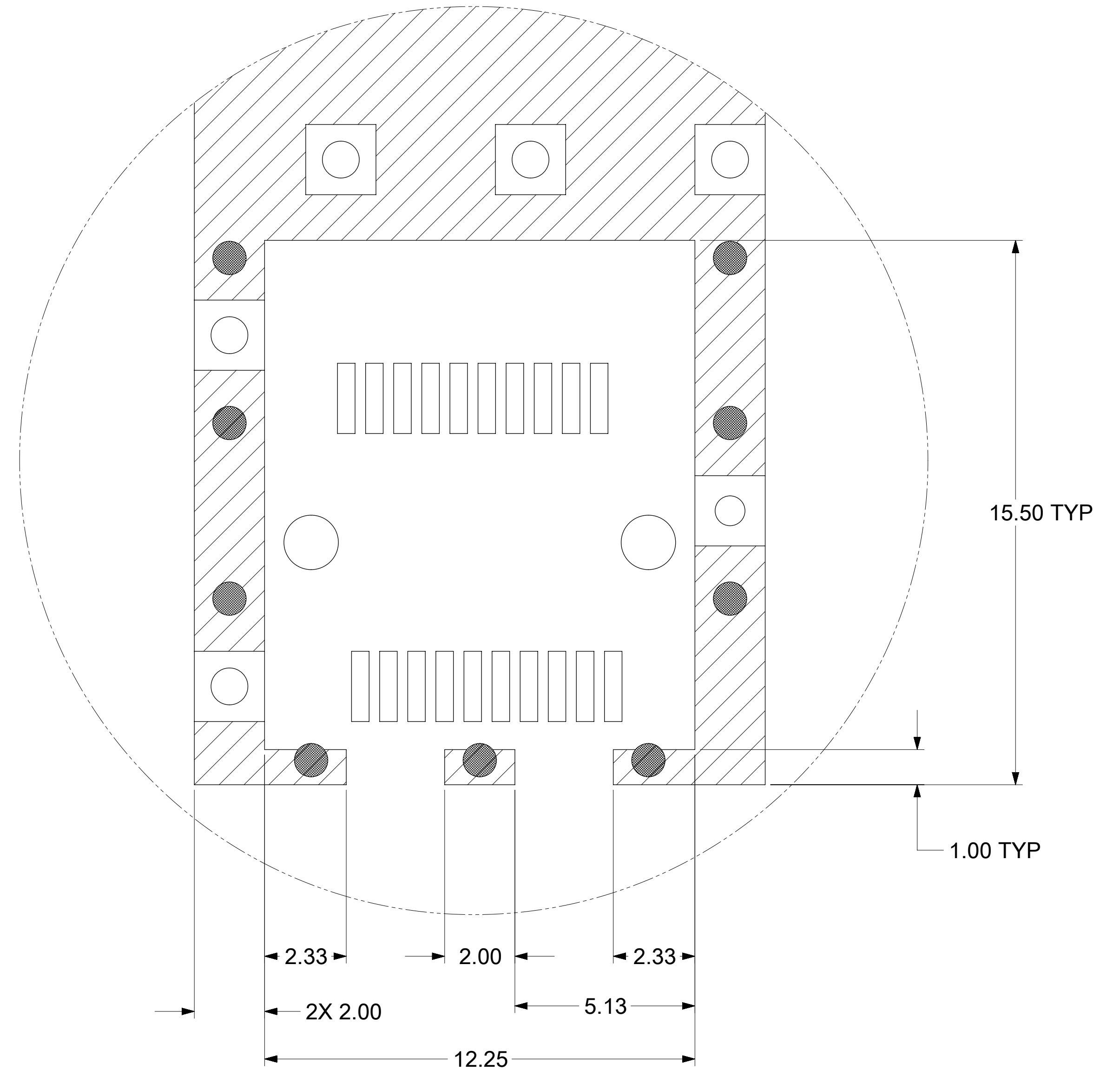
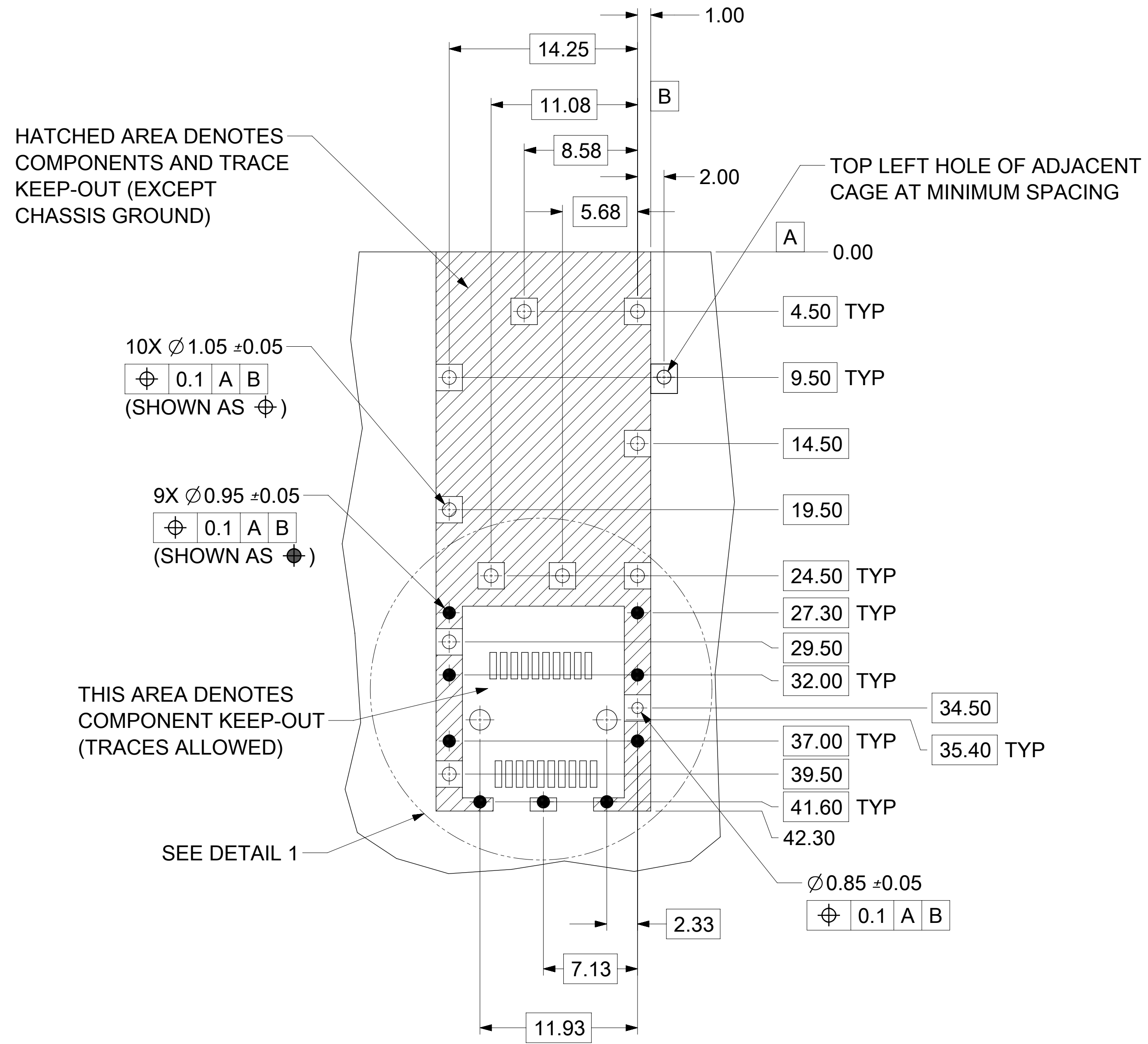
NOTES:

1. ALL DIMENSIONS ARE REFER TO SHEET 1

PART NO.
747540120
747540134
747540901
747548103
747540906

THIS DRAWING CONTAINS INFORMATION THAT IS PROPRIETARY TO MOLEX ELECTRONIC TECHNOLOGIES, LLC AND SHOULD NOT BE USED WITHOUT WRITTEN PERMISSION									
QUALITY SYMBOLS	F = 0 E = 0 D = 0 C = 0 B = 0 A = 0 P = 0	SEE REVISION TABLE EC NO: 110131 DRWN: DSUN15 CHKD: DSUN15 REV APPR: RCHEN08	GENERAL TOLERANCES (UNLESS SPECIFIED) ANGULAR TOL ± 1.0 ° 4 PLACES ± 3 PLACES ± 2 PLACES ± 0.15 1 PLACE ± 0.25 0 PLACES ±		DIMENSION UNITS	SCALE			
			DRAFT WHERE APPLICABLE MUST REMAIN WITHIN DIMENSIONS		MM	4:1			
				DRWN BY	DATE	SFP+ 1X1 CAGE ASSEMBLY WITH SPRING FINGERS AND SOLDER POST LEGS			
				BTEJA	2016/02/28				
				CHKD BY	DATE	PRODUCT CUSTOMER DRAWING			
				DSUN15	2016/03/02				
				APPR BY	DATE	SERIES MATERIAL NUMBER CUSTOMER 74754 SEE P/N TABLE			
				RCHEN08	2016/03/08				
				DRAWING SIZE	THIRD ANGLE PROJECTION	DOCUMENT NUMBER DOC TYPE DOC PART SHEET NUMBER 747540103 PSD ASY 2 OF 5			
				D					

# PCB LAYOUT FOR SINGLE SIDE MOUNT



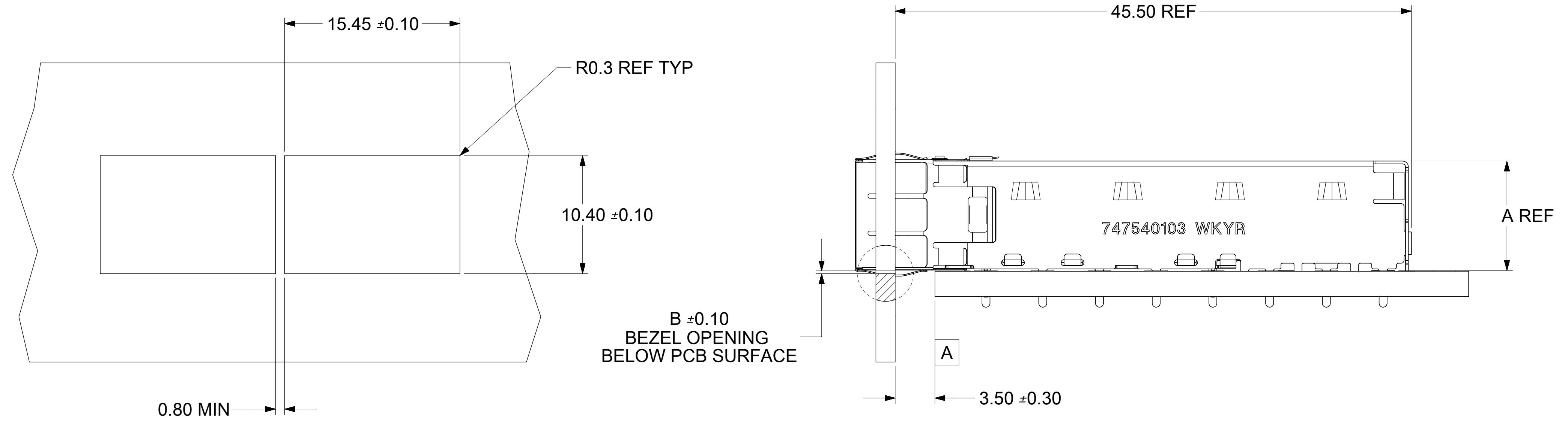
DETAIL 1  
SCALE 10:1  
HOST CONNECTOR DETAIL

**NOTES:**

1. PADS AND VIAS CONNECT TO CHASSIS GROUND (RECOMMEND PADS TO BE 2.00mm SQUARE)
2. RECOMMENDED THRU HOLE PLATING INCLUDES HASL, OSP, OR IMMERSION (GOLD, SILVER, OR TIN).
3. CONNECTOR PAD LAYOUT PER SFP+ MSA WILL ACCOMMODATE MOLEX CONNECTOR SERIES 74441 OR EQUIVALENT.

QUALITY SYMBOLS		THIS DRAWING CONTAINS INFORMATION THAT IS PROPRIETARY TO MOLEX ELECTRONIC TECHNOLOGIES, LLC AND SHOULD NOT BE USED WITHOUT WRITTEN PERMISSION			
$\nabla$	= 0	SEE REVISION TABLE EC NO: 110131 DRWN: DSUN15 CHKD: DSUN15 REV APPR: RCHEN08	GENERAL TOLERANCES (UNLESS SPECIFIED)		DIMENSION UNITS
$\nabla$	= 0		ANGULAR TOL $\pm 1.0^\circ$		SCALE
$\nabla$	= 0		4 PLACES $\pm$		MM
$\nabla$	= 0		3 PLACES $\pm$		4:1
$\nabla$	= 0		2 PLACES $\pm 0.15$		DRWN BY
$\nabla$	= 0		1 PLACE $\pm 0.25$		DATE
$\nabla$	= 0	0 PLACES $\pm$		BTEJA	2016/02/28
$\nabla$	= 0	DRAFT WHERE APPLICABLE MUST REMAIN WITHIN DIMENSIONS		CHKD BY	DATE
$\nabla$	= 0			DSUN15	2016/03/02
$\nabla$	= 0			APPR BY	DATE
$\nabla$	= 0			RCHEN08	2016/03/08
$\nabla$	= 0			DRAWING SIZE	THIRD ANGLE PROJECTION
$\nabla$	= 0			D	
RELEASE STATUS		P1	RELEASE DATE	07.11.2016	06:33:59
SERIES		MATERIAL NUMBER		CUSTOMER	
74754		SEE P/N TABLE			
DOCUMENT NUMBER		DOC TYPE	DOC PART	SHEET NUMBER	
747540103		PSD	ASY	3 OF 5	

# BEZEL AND BOARD POSITION DIMENSIONS FOR SINGLE SIDE MOUNTING (SPRING FINGER)



SFP+ 1X1 CAGE		
PART NO.	DIME A	DIM B
747540103	9.47	0.43
747540120	9.47	0.43
747540134	9.65	0.25
747540901	9.47	0.43
747548103	9.65	0.25
747540906	9.47	0.43

<b>QUALITY SYMBOLS</b> F = 0 E = 0 D = 0 C = 0 B = 0 A = 0 P = 0	THIS DRAWING CONTAINS INFORMATION THAT IS PROPRIETARY TO MOLEX ELECTRONIC TECHNOLOGIES, LLC AND SHOULD NOT BE USED WITHOUT WRITTEN PERMISSION		DIMENSION UNITS <b>MM</b>	SCALE <b>4:1</b>		
	GENERAL TOLERANCES (UNLESS SPECIFIED)	DRWN BY DSUN15	DATE 2016/02/28	PRODUCT CUSTOMER DRAWING		
	ANGULAR TOL ± 1.0 °	CHKD BY DSUN15	DATE 2016/03/02	SERIES 74754		
	4 PLACES ± 3 PLACES ± 2 PLACES ± 0.15 1 PLACE ± 0.25 0 PLACES ±	APPR BY RCHEN08	DATE 2016/03/08	MATERIAL NUMBER SEE P/N TABLE		
DRAFT WHERE APPLICABLE MUST REMAIN WITHIN DIMENSIONS	DRAWING SIZE <b>D</b>	THIRD ANGLE PROJECTION	DOCUMENT NUMBER 747540103	DOC TYPE PSD	DOC PART ASY	SHEET NUMBER 4 OF 5

REV	DATE	DESCRIPTION
C	2012/10/04	ADDED PN TABLE. REMOVED NICKEL PLATED FROM CAGE.
D	2013/01/04	ADDED 74754-0901. ADDED DIM A TO TABLE. REMOVED MINIMUM PCB THICKNESS NOTE. UPDATED ROHS NOTE. CREATED SHT4 AND ADDED REV HISTORY.
E	2014/03/03	1. CHANGED P/N TEXT ON SIDE OF CAGE FROM 747540103 WKYR TO 74754XXXX WKYR [SHT 1] 2. REGENERATED ISO VIEW [SHT 1]. 3. ADDED 747540134, 747540135 AND 747548103 [SHT 1] 4. ADDED "MM 3D MODEL: TM-74754-1X1-SOLDER" ON LEFT TOP CORNER [SHT 1]
F	2014/03/06	ADDED P/N TABLE [SHT 3 ]
G	2014/04/14	1. MODIFY DIM A OF 747540134 & 747540135 FROM 3.23 TO 2.80 [SHT 1] 2. MODIFY DIM B OF 747540134 & 747540135 FROM 0.40 TO 0.25 [SHT 3]
H	2014/06/06	ADDED PACKING INFORMATION [SHT 1]
J	2014/11/27	1. REMOVED P/N 74754-0135. [SHEET 1,3] 2. REMOVED ALL INCH UNIT. [SHEET 2]
K	2015/02/17	1. CHANGED 747540901 DIM.A FROM 2.00 TO 2.20mm. [SHEET 1] 2. P/N DESCRIPTION CHANGED AS "P/N AND WEEK/YEAR DATE CODE TO BE PRINTED / STAMPED ON THE SIDE OF COMPLETED CAGE ASSEMBLY AS SHOWN." [SHEET 1] 3. CHANGED 747548103 DIM A 9.47 TO 9.65 FROM TABLE @E6 [SHEET 3] 4. CHANGED 747548103 DIM B 0.43 TO 0.25 FROM TABLE @E5 [SHEET 3]
L	2016/02/29	1.REMASTERED FROM SD-74754-0103_REV 'K' 2.SHEET 1: ADDED WITHOUT ANY DISCOLORATION AFTER IR REFLOW TEST (REFER TO PS OF 747540001)
M	2016/05/12	SHEET 1 : A12 : ADDED 747540188 INTO P/N TABLE D13 : ADDED DIMENSION 11.50 REF SHEET 3 : D5 : ADDED 747540188 INTO P/N TABLE
N	2016/08/29	SEPERATED 747540188 TO 747540188 PSD ASY SHEET 1 : A12 : DELETED 747540188 FROM P/N TABLE SHEET 3 : D5 : DELETED 747540188 FROM P/N TABLE
P	2016/10/28	SHEET 1: A12: ADDED 747540906 ON P/N TABLE SHEET 2: ADDED A SHEET FOR P/N AND DATE CODE PRINTING SHEET 4: D5: ADDED 747540906 ON P/N TABLE

<b>QUALITY SYMBOLS</b> 	THIS DRAWING CONTAINS INFORMATION THAT IS PROPRIETARY TO MOLEX ELECTRONIC TECHNOLOGIES, LLC AND SHOULD NOT BE USED WITHOUT WRITTEN PERMISSION										
	<b>SEE REVISION TABLE</b> EC NO: 110131 DRWN: DSUN15 CHKD: DSUN15 REV APPR: RCHEN08	2016/10/27	2016/11/06	2016/11/06	GENERAL TOLERANCES (UNLESS SPECIFIED)		DIMENSION UNITS	SCALE			
		4 PLACES ±		ANGULAR TOL ± 1.0 °		MM	1:1				
		3 PLACES ±		2 PLACES ± 0.15		DRWN BY	DATE	SFP+ 1X1 CAGE ASSEMBLY WITH SPRING FINGERS AND SOLDER POST LEGS			
		2 PLACES ± 0.25		1 PLACE ±		BTEJA	2016/02/28				
		0 PLACES ±		DRAFT WHERE APPLICABLE MUST REMAIN WITHIN DIMENSIONS		CHKD BY	DATE	PRODUCT CUSTOMER DRAWING			
	DRAFT WHERE APPLICABLE MUST REMAIN WITHIN DIMENSIONS		DRAFT WHERE APPLICABLE MUST REMAIN WITHIN DIMENSIONS		DSUN15	2016/03/02					
	DRAFT WHERE APPLICABLE MUST REMAIN WITHIN DIMENSIONS		DRAFT WHERE APPLICABLE MUST REMAIN WITHIN DIMENSIONS		APPR BY	DATE	SERIES MATERIAL NUMBER CUSTOMER 74754 SEE P/N TABLE				
	DRAFT WHERE APPLICABLE MUST REMAIN WITHIN DIMENSIONS		DRAFT WHERE APPLICABLE MUST REMAIN WITHIN DIMENSIONS		RCHEN08	2016/03/08					
	DRAFT WHERE APPLICABLE MUST REMAIN WITHIN DIMENSIONS		DRAFT WHERE APPLICABLE MUST REMAIN WITHIN DIMENSIONS		DRAWING SIZE	THIRD ANGLE PROJECTION	DOCUMENT NUMBER DOC TYPE DOC PART SHEET NUMBER 747540103 PSD ASY 5 OF 5				
DRAFT WHERE APPLICABLE MUST REMAIN WITHIN DIMENSIONS		DRAFT WHERE APPLICABLE MUST REMAIN WITHIN DIMENSIONS		D							