



Chipsmall Limited consists of a professional team with an average of over 10 year of expertise in the distribution of electronic components. Based in Hongkong, we have already established firm and mutual-benefit business relationships with customers from,Europe,America and south Asia,supplying obsolete and hard-to-find components to meet their specific needs.

With the principle of “Quality Parts,Customers Priority,Honest Operation,and Considerate Service”,our business mainly focus on the distribution of electronic components. Line cards we deal with include Microchip,ALPS,ROHM,Xilinx,Pulse,ON,Everlight and Freescale. Main products comprise IC,Modules,Potentiometer,IC Socket,Relay,Connector.Our parts cover such applications as commercial,industrial, and automotives areas.

We are looking forward to setting up business relationship with you and hope to provide you with the best service and solution. Let us make a better world for our industry!



Contact us

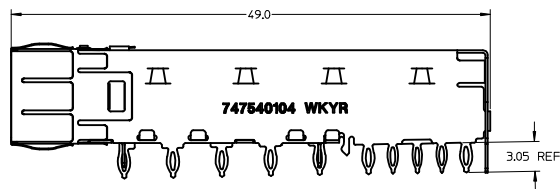
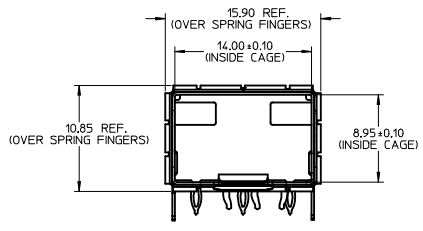
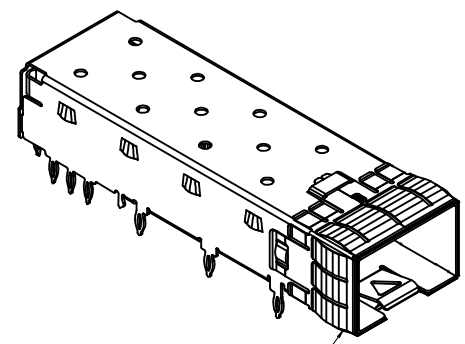
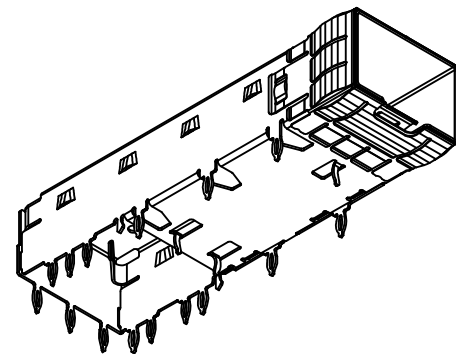
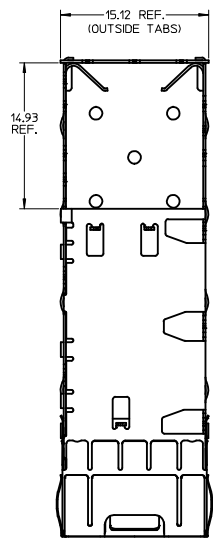
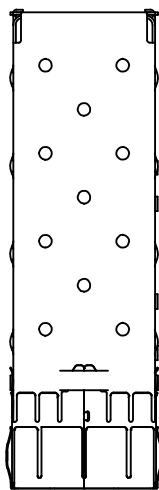
Tel: +86-755-8981 8866 Fax: +86-755-8427 6832

Email & Skype: info@chipsmall.com Web: www.chipsmall.com

Address: A1208, Overseas Decoration Building, #122 Zhenhua RD., Futian, Shenzhen, China



20 19 18 17 16 15 14 13 12 11 10 9 8 7 6 5 4 3 2 1

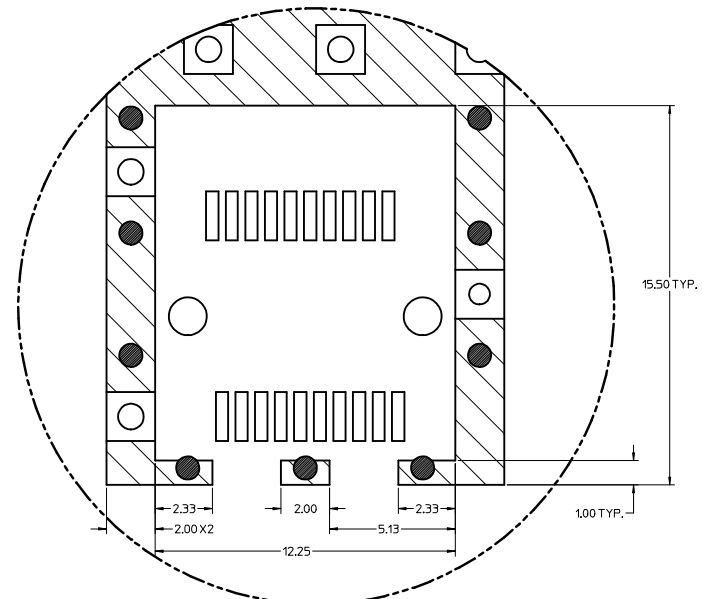
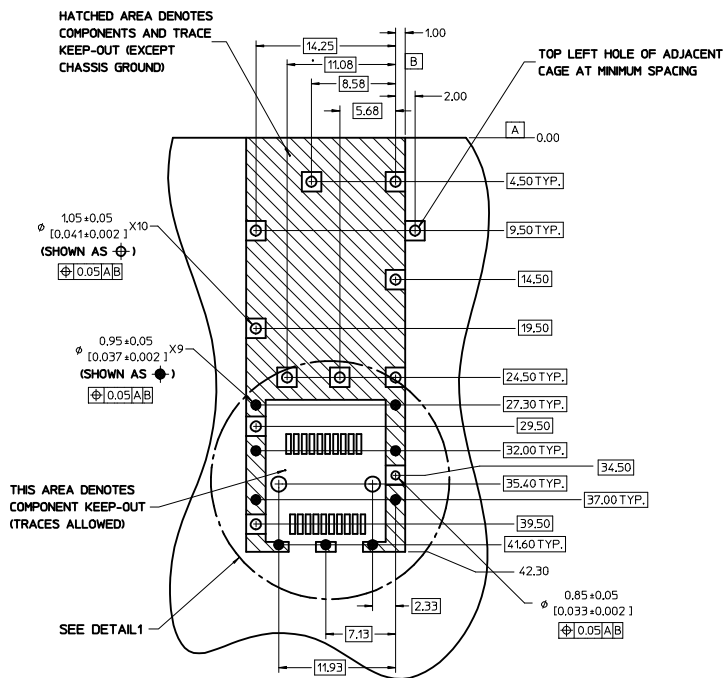


- NOTES:**
- 1. MATERIAL:**
 CAGE: NICKEL PLATED COPPER ALLOY, THICKNESS 0.25mm
 SPRING FINGER: NICKEL PLATED COPPER ALLOY, THICKNESS 0.10mm
 - 2. PRESS FIT LEGS 3.05 LONG - 1.57 MINIMUM PCB THICKNESS FOR SINGLE SIDED USE**
 - 3. PORTS ARE DESIGNED FOR SFP+ TRANSCEIVERS AND ARE BACKWARDS COMPATIBLE WITH SFP TRANSCEIVERS**
 - 4. NO RoHS EXEMPTIONS.**

| | | | | | | |
|---|-----------------|--|---|-------|---------------|------------------------|
| UPDATE ISO VIEW IEC NO: CPG2014-0215 DRAWNSYANG16 2013/07/22 CHKD: APPR:RTSAL 2013/07/22 | QUALITY SYMBOLS | GENERAL TOLERANCES (UNLESS SPECIFIED) | DIMENSION STYLE | SCALE | DESIGN UNITS | THIRD ANGLE PROJECTION |
| | ▽=0 | 4 PLACES ± mm ± INCH | MM ONLY | 4:1 | METRIC | |
| | ▽=0 | 3 PLACES ± --- ± --- | | | | |
| | ▽=0 | 2 PLACES ± 0.15 ± --- | | | | |
| | | 1 PLACE ± 0.25 ± --- | | | | |
| | | 0 PLACE ± ± | | | | |
| | | ANGULAR ± 1 ° | | | | |
| | | DRAFT WHERE APPLICABLE MUST REMAIN WITHIN DIMENSIONS | | | | |
| | | | MATERIAL NO. | | DOCUMENT NO. | SHEET NO. |
| | | | 747540104 | | SD-74754-0104 | 1 OF 4 |
| | | | THIS DRAWING CONTAINS INFORMATION THAT IS PROPRIETARY TO MOLEX INCORPORATED AND SHOULD NOT BE USED WITHOUT WRITTEN PERMISSION | | | |

19 18 17 16 15 14 13 12 11 10 9 8 7 6 5 4 3 2 1

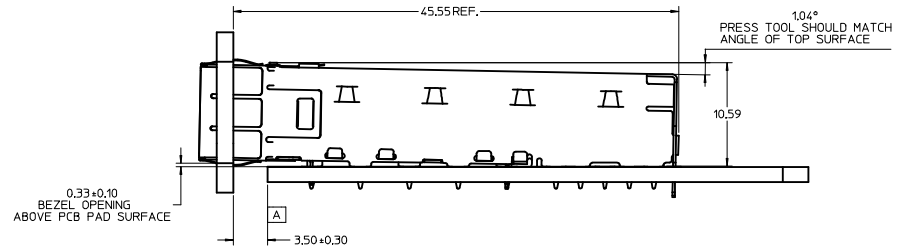
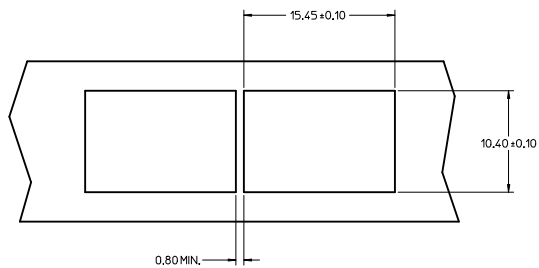
PCB LAYOUT FOR SINGLE SIDE MOUNT



DETAIL1
SCALE 10:1
HOST CONNECTOR DETAIL

| | | | | | | |
|---|-----------------|--|---|----------------------------|------------------|---|
| UPDATE ISO VIEW EC NO: CPG2014-0215 DRAWN BY: CHYD APPR: RYSAI 2013/07/22 2013/07/22 | QUALITY SYMBOLS | GENERAL TOLERANCES (UNLESS SPECIFIED) | DIMENSION STYLE | SCALE | DESIGN UNITS | THIRD ANGLE PROJECTION |
| | ▽=0 | mm INCH | MM ONLY | 4:1 | METRIC | |
| | ▽=0 | 4 PLACES ± --- ± --- | DRAWN BY: PSYTSMA | DATE: 2007/05/23 | TITLE: | SFP+ 1X1 PCI CAGE WITH SPRING FINGERS PRESS FIT molex |
| | ▽=0 | 3 PLACES ± --- ± --- | CHECKED BY: BRUSSELL | DATE: 2007/05/23 | | |
| | ANGULAR ± 1 ° | DRAFT WHERE APPLICABLE MUST REMAIN WITHIN DIMENSIONS | MATERIAL NO. 747540104 | DOCUMENT NO. SD-74754-0104 | SHEET NO. 2 OF 4 | |
| | | | THIS DRAWING CONTAINS INFORMATION THAT IS PROPRIETARY TO MOLEX INCORPORATED AND SHOULD NOT BE USED WITHOUT WRITTEN PERMISSION | | | |

BEZEL AND BOARD POSITION DIMENSIONS FOR SINGLE SIDE MOUNTING
(SPRING FINGER)



| | | | | | | |
|---|-----------------|--|---|---------------|--------------|------------------------|
| UPDATE ISO VIEW EC NO: CPG2014-0215 CHYK: DRWNSYANG16 APPR: TSAL 2013/07/22 | QUALITY SYMBOLS | GENERAL TOLERANCES (UNLESS SPECIFIED) | DIMENSION STYLE | SCALE | DESIGN UNITS | THIRD ANGLE PROJECTION |
| | ▽=0 | 4 PLACES ± --- | mm INCH | 4:1 | METRIC | ☉ |
| | ▽=0 | 3 PLACES ± --- | | | | |
| | ▽=0 | 2 PLACES ± 0.15 | | | | |
| | | 1 PLACE ± 0.25 | | | | |
| | | 0 PLACE ± | | | | |
| | | ANGULAR ± 1 ° | | | | |
| | | DRAFT WHERE APPLICABLE MUST REMAIN WITHIN DIMENSIONS | | | | |
| | | | MATERIAL NO. | DOCUMENT NO. | | |
| | | | 747540104 | SD-74754-0104 | | |
| | | | | | SHEET NO. | |
| | | | | | 3 OF 4 | |
| | | | THIS DRAWING CONTAINS INFORMATION THAT IS PROPRIETARY TO MOLEX INCORPORATED AND SHOULD NOT BE USED WITHOUT WRITTEN PERMISSION | | | |

