



Chipsmall Limited consists of a professional team with an average of over 10 year of expertise in the distribution of electronic components. Based in Hongkong, we have already established firm and mutual-benefit business relationships with customers from,Europe,America and south Asia,supplying obsolete and hard-to-find components to meet their specific needs.

With the principle of “Quality Parts,Customers Priority,Honest Operation,and Considerate Service”,our business mainly focus on the distribution of electronic components. Line cards we deal with include Microchip,ALPS,ROHM,Xilinx,Pulse,ON,Everlight and Freescale. Main products comprise IC,Modules,Potentiometer,IC Socket,Relay,Connector.Our parts cover such applications as commercial,industrial, and automotives areas.

We are looking forward to setting up business relationship with you and hope to provide you with the best service and solution. Let us make a better world for our industry!



## Contact us

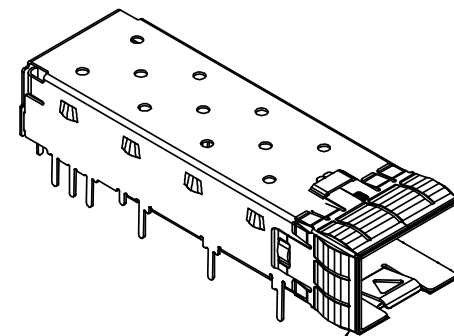
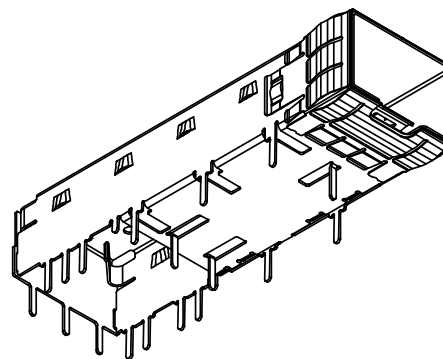
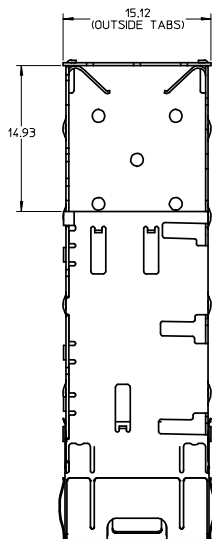
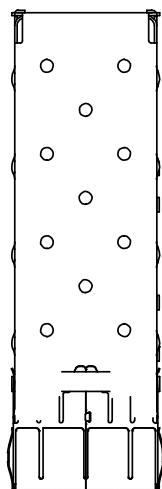
Tel: +86-755-8981 8866 Fax: +86-755-8427 6832

Email & Skype: info@chipsmall.com Web: www.chipsmall.com

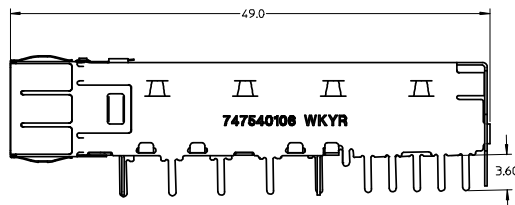
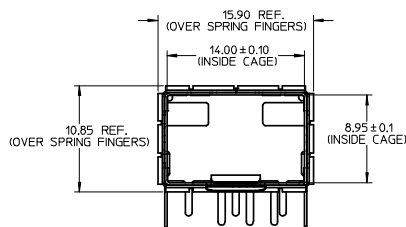
Address: A1208, Overseas Decoration Building, #122 Zhenhua RD., Futian, Shenzhen, China



20 19 18 17 16 15 14 13 12 11 10 9 8 7 6 5 4 3 2 1



EMI SPRING FINGER



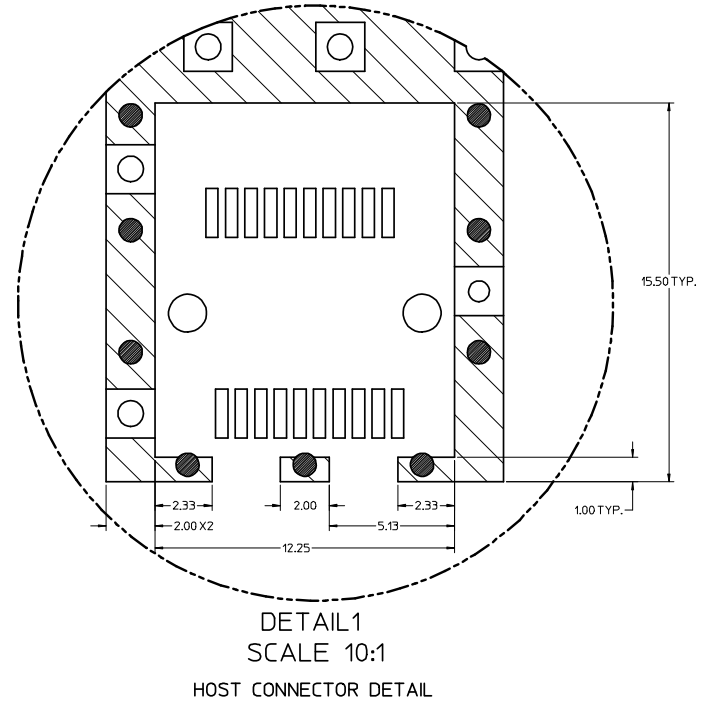
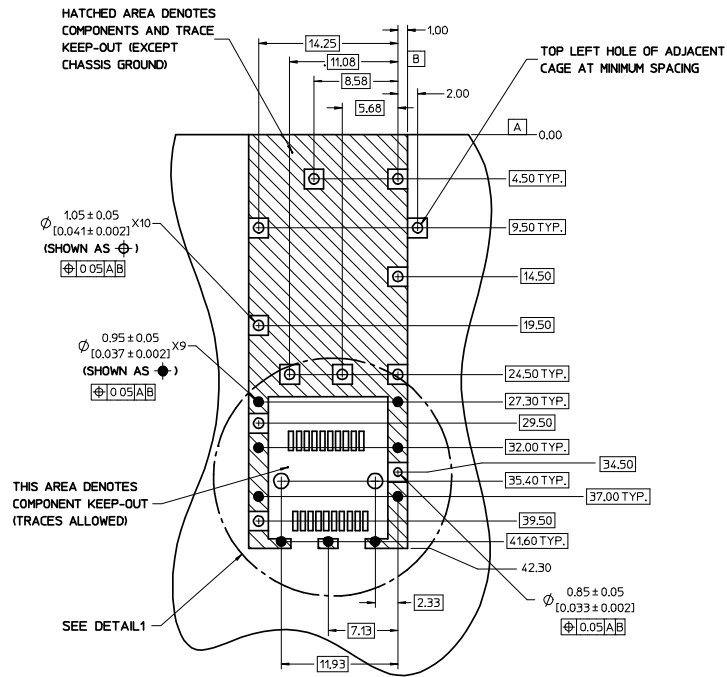
NOTES:

1. MATERIAL:  
CAGE: NICKEL PLATED COPPER ALLOY, THICKNESS 0.25mm  
SPRING FINGER: NICKEL PLATED COPPER ALLOY, THICKNESS 0.10mm
2. PRESS FIT LEGS 3.60 LONG -  
1.57 MINIMUM PCB THICKNESS FOR SINGLE SIDED USE  
INSERTION FORCE INTO PCB <50 LBS
3. PORTS ARE DESIGNED FOR SFP+ TRANSCEIVERS AND ARE BACKWARDS COMPATIBLE WITH SFP TRANSCEIVERS
4. THIS PART MEETS THE RESTRICTION OF HAZARDOUS SUBSTANCES IN ELECTRICAL AND ELECTRONIC EQUIPMENT (ROHS) DIRECTIVE (2002/95/EC)

REVISED EC NO. USY2008-0491 DRAWN: LERMIN 2008/07/10 CHKD: KELLOYD 2008/07/10 APPR: K. JANOTA 2008/07/22	QUALITY SYMBOLS ▽=0 ▽=0	GENERAL TOLERANCES (UNLESS SPECIFIED)		DIMENSION STYLE MM ONLY	SCALE 4:1	DESIGN UNITS METRIC	THIRD ANGLE PROJECTION								
		4 PLACES ± --- ± ---	3 PLACES ± --- ± ---	2 PLACES ± 0.15 ± ---	1 PLACE ± 0.25 ± ---	ANGULAR ± 1°	DRAFT WHERE APPLICABLE MUST REMAIN WITHIN DIMENSIONS	DRAWN BY PSYTSMA 2007/05/24	DATE	CHECKED BY BRUSSELL 2007/05/24	DATE	APPROVED BY BRUSSELL 2007/05/24	DATE	TITLE SFP+ 1X1 PCI CAGE W/SPRING FINGERS SOLDER POST	MATERIAL NO. 747540106

19 18 17 16 15 14 13 12 11 10 9 8 7 6 5 4 3 2 1

# PCB LAYOUT FOR SINGLE SIDE MOUNT

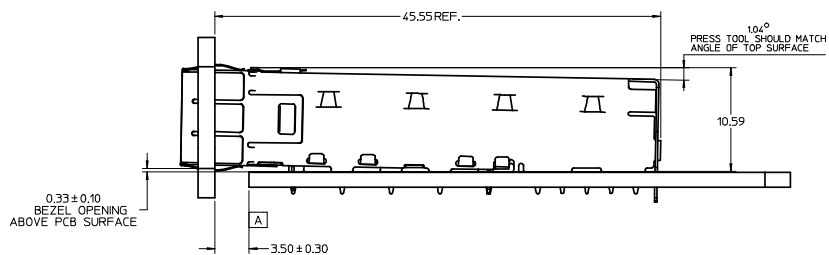
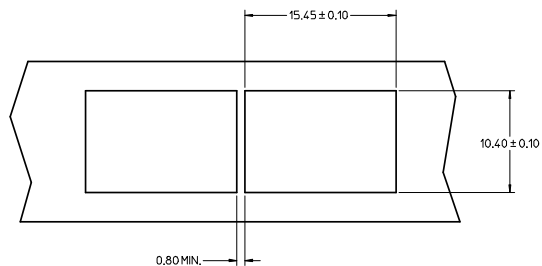


**NOTES:**

1. PADS AND VIAS CONNECT TO CHASSIS GROUND (RECOMMEND PADS TO BE 2.00mm SQUARE)
2. RECOMMENDED THRU HOLE PLATING INCLUDES HASL, OSP, OR IMMERSION (GOLD, SILVER, OR TIN).
3. CONNECTOR PAD LAYOUT PER SFP+ MSA WILL ACCOMMODATE MOLEX CONNECTOR SERIES 74441 OR EQUIVALENT.

<b>REVISED</b> EC NO: USY2008-0491 DRAWN: ERWIN 2008/07/10 CHKD: KULLOYD 2008/07/10 APPR: K JANOTA 2008/07/22	QUALITY SYMBOLS ▽=0 ▽=0	GENERAL TOLERANCES (UNLESS SPECIFIED) DIMENSION STYLE MM ONLY	DIMENSION STYLE SCALE 4:1	DESIGN UNITS METRIC	THIRD ANGLE PROJECTION
	4 PLACES ± --- ± --- 3 PLACES ± --- ± --- 2 PLACES ± 0.15 ± --- 1 PLACE ± 0.25 ± --- ANGULAR ± 1°	DRAWN BY PSYTSMA DATE 2007/05/24 CHECKED BY BRUSSELL DATE 2007/05/24 APPROVED BY BRUSSELL DATE 2007/05/24	TITLE SFP+ 1X1 PCI CAGE W/SPRING FINGERS SOLDER POST	MATERIAL NO. 747540106	DOCUMENT NO. SD-74754-0106
DRAFT WHERE APPLICABLE MUST REMAIN WITHIN DIMENSIONS		THIS DRAWING CONTAINS INFORMATION THAT IS PROPRIETARY TO MOLEX INCORPORATED AND SHOULD NOT BE USED WITHOUT WRITTEN PERMISSION			

BEZEL AND BOARD POSITION DIMENSIONS FOR SINGLE SIDE MOUNTING  
(SPRING FINGER)



REVISED IEC NO: USY2008-0491 DRAWN: LERMIN 2008/07/10 CHKD: K LLOYD 2008/07/10 APPR: K JANOTA 2008/07/22	QUALITY SYMBOLS	GENERAL TOLERANCES (UNLESS SPECIFIED)	DIMENSION STYLE	SCALE	DESIGN UNITS	THIRD ANGLE PROJECTION
	▼=0 ▽=0	mm INCH 4 PLACES ± --- ± --- 3 PLACES ± --- ± --- 2 PLACES ± 0.15 ± --- 1 PLACE ± 0.25 ± --- ANGULAR ± 1°	MM ONLY	4:1	METRIC	DRAWN BY DATE PSYTSMA 2007/05/24 CHECKED BY DATE BRUSSELL 2007/05/24 APPROVED BY DATE BRUSSELL 2007/05/24
	DESCRIPTION	DRAFT WHERE APPLICABLE MUST REMAIN WITHIN DIMENSIONS	MATERIAL NO.	DOCUMENT NO.	SFP+ 1X1 PCI CAGE W/SPRING FINGERS SOLDER POST	
			747540106	SD-74754-0106	MOLEX INCORPORATED SHEET NO. 3 OF 3	