



Chipsmall Limited consists of a professional team with an average of over 10 year of expertise in the distribution of electronic components. Based in Hongkong, we have already established firm and mutual-benefit business relationships with customers from,Europe,America and south Asia,supplying obsolete and hard-to-find components to meet their specific needs.

With the principle of "Quality Parts,Customers Priority,Honest Operation,and Considerate Service",our business mainly focus on the distribution of electronic components. Line cards we deal with include Microchip,ALPS,ROHM,Xilinx,Pulse,ON,Everlight and Freescale. Main products comprise IC,Modules,Potentiometer,IC Socket,Relay,Connector.Our parts cover such applications as commercial,industrial, and automotives areas.

We are looking forward to setting up business relationship with you and hope to provide you with the best service and solution. Let us make a better world for our industry!



## Contact us

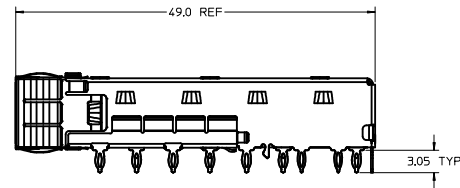
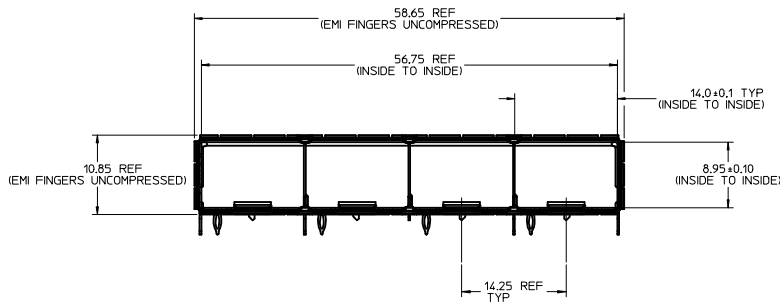
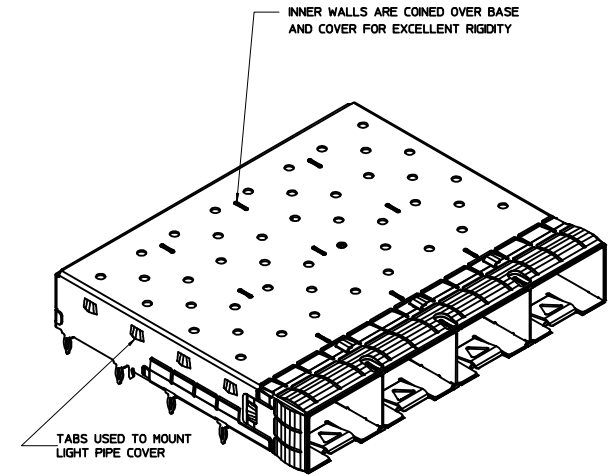
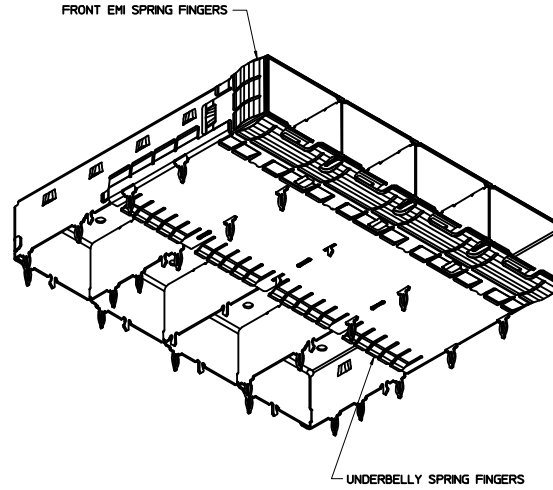
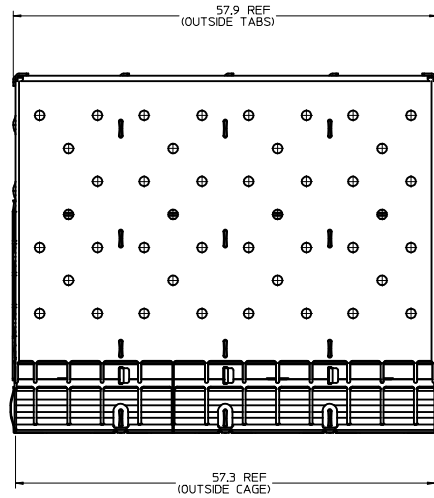
Tel: +86-755-8981 8866 Fax: +86-755-8427 6832

Email & Skype: info@chipsmall.com Web: www.chipsmall.com

Address: A1208, Overseas Decoration Building, #122 Zhenhua RD., Futian, Shenzhen, China



WM 3-D MODEL: EM-74754-0420



SFP+ 1X4 CAGE WITH FRONT EMI SPRING FINGERS

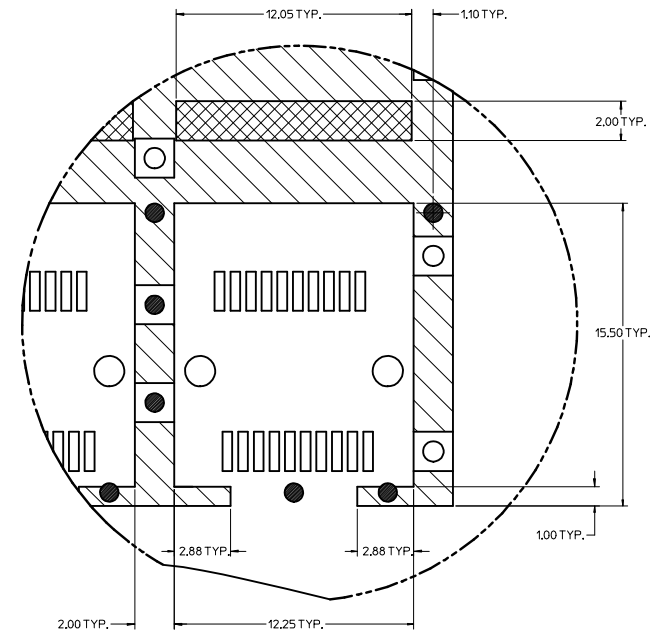
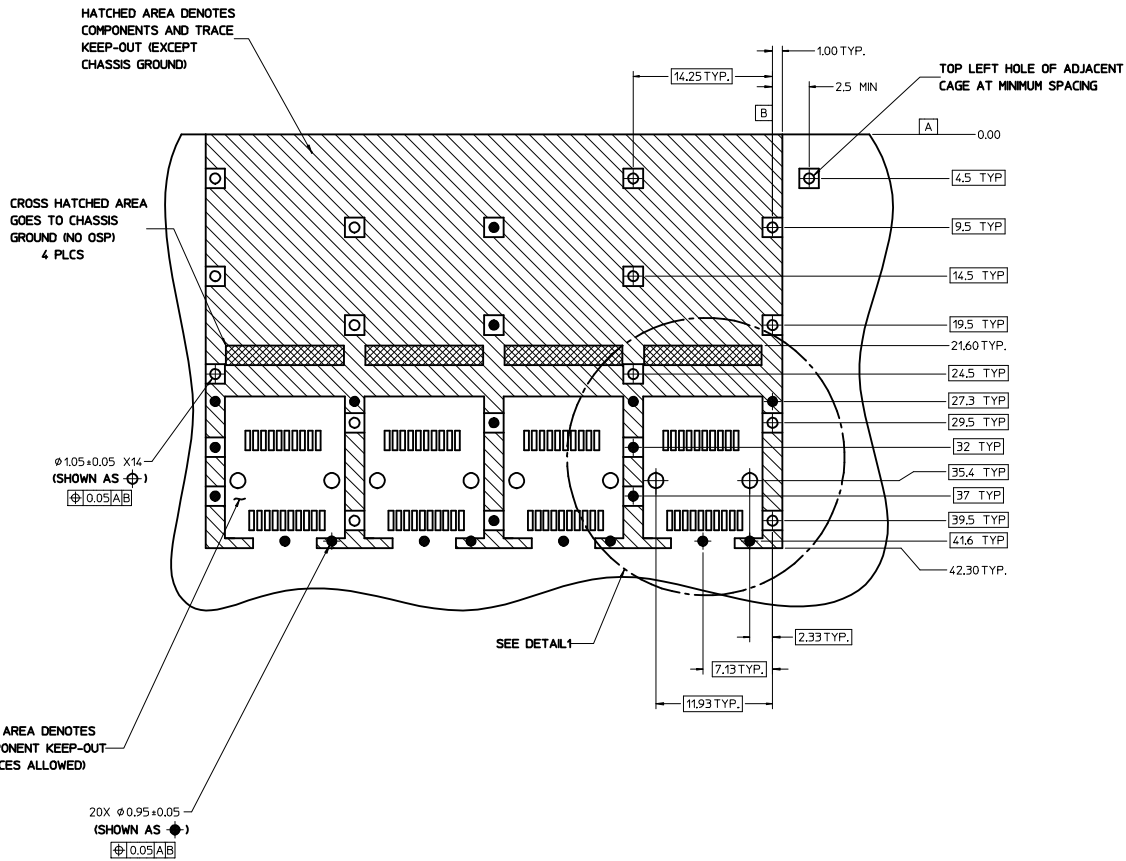
MATERIAL NO.	WELD POINT QUANTITY
747540420	6
747540423	19 (15mm MAX PITCH BETWEEN ANY 2 WELD POINTS)

NOTES:

- MATERIAL:  
CAGE: 0.25mm THICK COPPER ALLOY, NICKEL PLATED  
FRONT EMI SPRING FINGERS: 0.10mm THICK COPPER ALLOY, NICKEL PLATED
- PRESS FIT LEGS 3.05 (1/20 INCH) LONG  
1.57 (1/62 INCH) MINIMUM PCB THICKNESS FOR SINGLE SIDED USE  
3.00 (1/16 INCH) MINIMUM PCB THICKNESS FOR BELLY TO BELLY USE  
INSERTION FORCE INTO PCB <100 LBS
- OPTIONAL LIGHT PIPE ASSEMBLY AVAILABLE
- PORTS ARE DESIGNED FOR SFP+ TRANSCEIVERS AND ARE COMPATIBLE WITH SFP TRANSCEIVERS
- LEAD FREE, NO ROHS EXEMPTIONS
- WELD SPOTS WILL SHOW SLIGHT MATERIAL DISCOLORATION

FROM 5 TO 6 WELDS EC NO: CPG2013-0972 DRAWN BY: INSKI 2012/03/12 CHKD BY: JOHNSTON 2012/03/11 APPR BY: LLOYD 2012/03/12	QUALITY SYMBOLS ▽=0 ▽=0 ▽=0	GENERAL TOLERANCES (UNLESS SPECIFIED)		DIMENSION STYLE MM ONLY	SCALE 3:1	DESIGN UNITS METRIC	THIRD ANGLE PROJECTION			
		4 PLACES ± --- mm	3 PLACES ± --- INCH	2 PLACES ± 0.15	1 PLACE ± 0.25	ANGULAR ± 1 °	DRAFT WHERE APPLICABLE MUST REMAIN WITHIN DIMENSIONS	DRAWN BY: CHIRSCHY 2007/05/02 CHECKED BY: BRUSSELL 2007/05/02 APPROVED BY: RMAHMOOD 2007/05/02	TITLE SFP+ 1X4 GANGED CAGE FOR LIGHT PIPES WITH SPRING FINGERS	MATERIAL NO. SEE TABLE

# PCB LAYOUT FOR SINGLE SIDE MOUNT



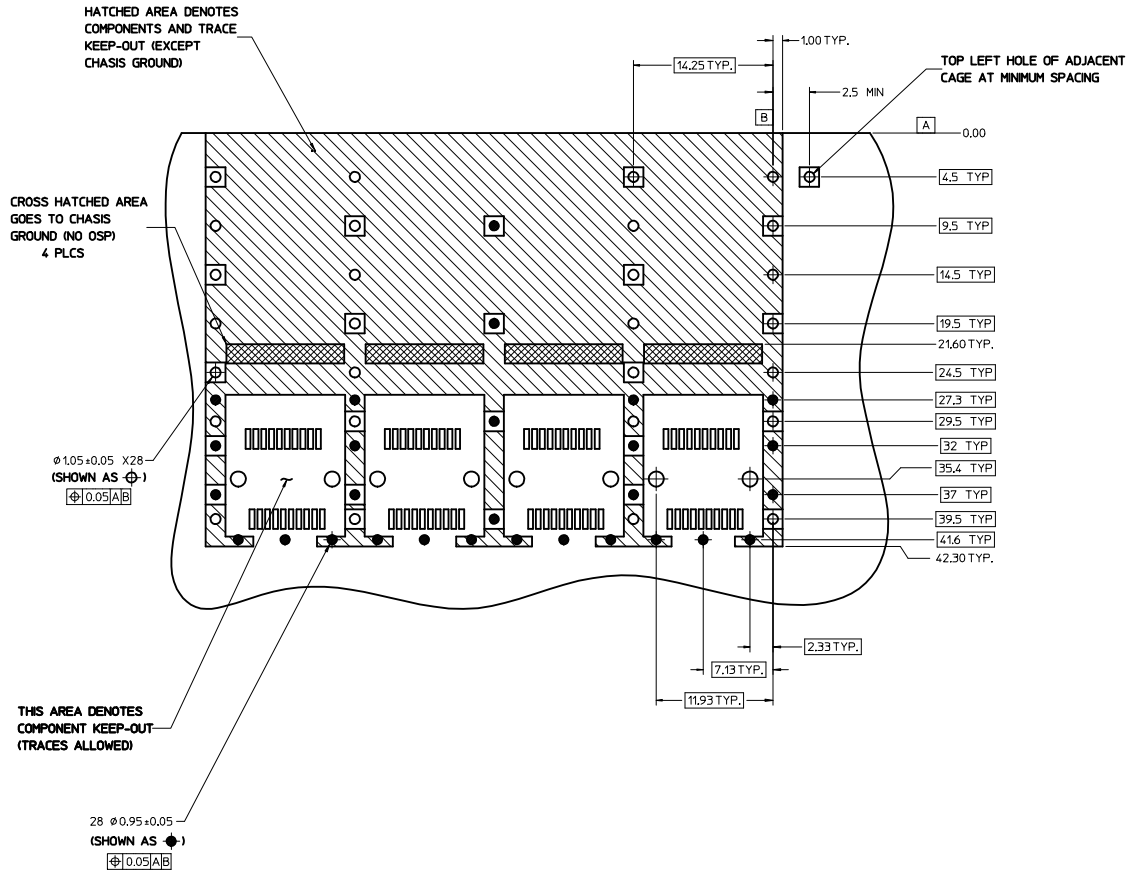
DETAIL1  
SCALE 8:1  
HOST CONNECTOR DETAIL

**NOTES:**

1. PADS AND VIAS CONNECT TO CHASSIS GROUND (RECOMMEND PADS TO BE 2.00mm SQUARE)
2. RECOMMENDED THRU HOLE PLATING INCLUDES HASL, OSP, OR IMMERSION (GOLD, SILVER, OR TIN).
3. CONNECTOR PAD LAYOUT PER SFP+ MSA WILL ACCOMMODATE MOLEX CONNECTOR SERIES 74441 OR EQUIVALENT.
4. HOLE PATTERN REPEATS FOR EACH PORT. SPACING BETWEEN PORTS IS 14.25mm.

<b>FROM 5 TO 6 WELDS</b> EC NO: CPG2013-0972 DRAWN BY: DRWNRM/KL/INSKI CHECKED BY: CHYKDA/JOHNSTON APPROVED BY: APPR:K/LOYD	QUALITY SYMBOLS ∇=0 ∇=0 ∇=0	GENERAL TOLERANCES (UNLESS SPECIFIED) mm INCH 4 PLACES ±--- ±--- 3 PLACES ±--- ±--- 2 PLACES ±0.15 ±--- 1 PLACE ±0.25 ±--- ANGULAR ± 1°	DIMENSION STYLE MM ONLY	SCALE 1:1	DESIGN UNITS METRIC	THIRD ANGLE PROJECTION	
	DRAWN BY: CHIRSCHY DATE: 2007/05/02 CHECKED BY: BRUSSELL DATE: 2007/05/02 APPROVED BY: RMAHMOOD DATE: 2007/05/02	TITLE SFP+ 1X4 GANGED CAGE FOR LIGHT PIPES WITH SPRING FINGERS	MATERIAL NO. SEE SHEET 1	DOCUMENT NO. SD-74754-0420	SHEET NO. 2 OF 5	MOLEX INCORPORATED	THIS DRAWING CONTAINS INFORMATION THAT IS PROPRIETARY TO MOLEX INCORPORATED AND SHOULD NOT BE USED WITHOUT WRITTEN PERMISSION
	DRAFT WHERE APPLICABLE MUST REMAIN WITHIN DIMENSIONS						
	SIZE D						

# PCB LAYOUT FOR BELLY TO BELLY MOUNTING



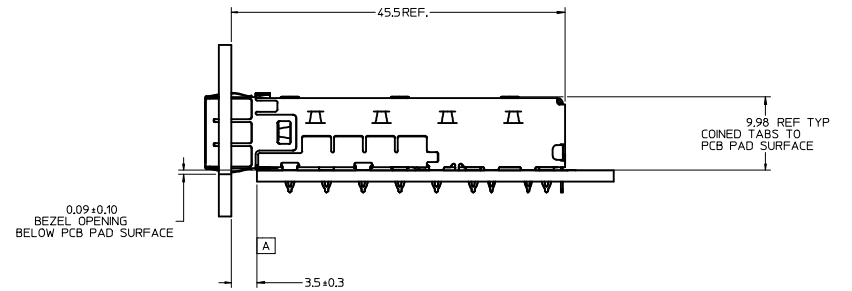
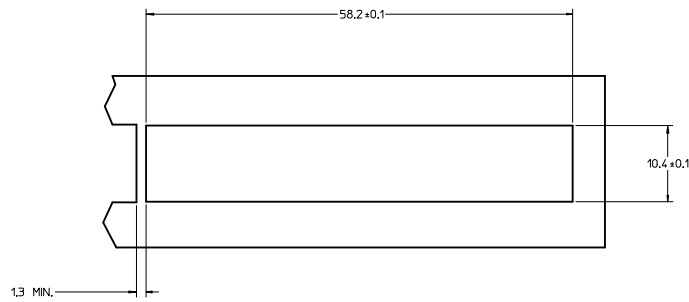
NOTE:  
SEE SHEET 2 FOR  
HOST CONNECTOR DETAIL

**NOTES:**

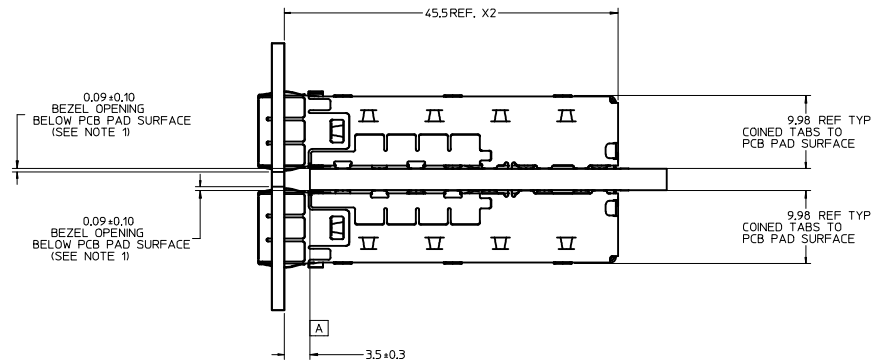
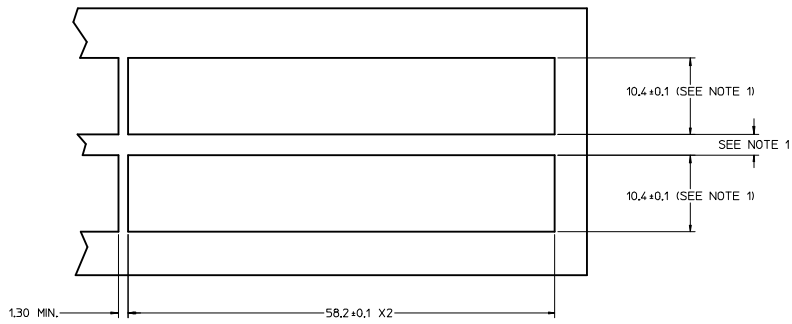
1. PADS AND VIAS CONNECT TO CHASSIS GROUND (RECOMMEND PADS TO BE 2.00mm SQUARE)
2. RECOMMENDED THRU HOLE PLATING INCLUDES HASL, OSP, OR IMMERSION (GOLD, SILVER, OR TIN).
3. CONNECTOR PAD LAYOUT PER SFP+ MSA WILL ACCOMMODATE MOLEX CONNECTOR SERIES 74441 OR EQUIVALENT.
4. HOLE PATTERN REPEATS FOR EACH PORT. SPACING BETWEEN PORTS IS 14.25mm.

<b>FROM 5 TO 6 WELDS</b> EC NO: CPG2013-0972 DRAWN BY: CHYKDA JOHNSTON CHECKED BY: APPR:KLLOYD DATE: 2012/03/12 DATE: 2012/10/11 DATE: 2012/10/12	QUALITY SYMBOLS	GENERAL TOLERANCES (UNLESS SPECIFIED)	DIMENSION STYLE	SCALE	DESIGN UNITS	THIRD ANGLE PROJECTION	
	$\nabla=0$ $\nabla=0$ $\nabla=0$	mm INCH 4 PLACES ± --- ± --- 3 PLACES ± --- ± --- 2 PLACES ± 0.15 ± --- 1 PLACE ± 0.25 ± --- ANGULAR ± 1°	MM ONLY	1:1	METRIC		
	DRAWN BY: CHIRSCHY CHECKED BY: BRUSSELL APPROVED BY: RMAHMOOD	DATE: 2007/05/02 DATE: 2007/05/02 DATE: 2007/05/02	TITLE				SFP+ 1X4 GANGED CAGE FOR LIGHT PIPES WITH SPRING FINGERS
	MATERIAL NO.	DOCUMENT NO.	MOLEX INCORPORATED				
	SEE SHEET 1	SD-74754-0420				SHEET NO. 3 OF 5	
THIS DRAWING CONTAINS INFORMATION THAT IS PROPRIETARY TO MOLEX INCORPORATED AND SHOULD NOT BE USED WITHOUT WRITTEN PERMISSION							

BEZEL AND BOARD POSITION DIMENSIONS FOR SINGLE SIDE MOUNTING  
(SPRING FINGER)



BEZEL AND BOARD POSITION DIMENSIONS FOR BELLY TO BELLY MOUNTING  
(SPRING FINGER)



NOTES:

1. PCB THICKNESS VARIATION MUST BE CONSIDERED WHEN DETERMINING BEZEL OPENING SIZE AND LOCATION.

FROM 5 TO 6 WELDS EC NO: CPG2013-0972 DRAWN BY: DR. N. K. INSKI 2012/03/12 CHECKED BY: CHYKOA JOHNSTON 2012/10/11 APPROVED BY: APPR: K. LOYD 2012/10/12	QUALITY SYMBOLS	GENERAL TOLERANCES (UNLESS SPECIFIED)	DIMENSION STYLE	SCALE	DESIGN UNITS	THIRD ANGLE PROJECTION
	$\nabla=0$ $\nabla=0$ $\nabla=0$	4 PLACES ± mm ± INCH 3 PLACES ± mm ± INCH 2 PLACES ± 0.15 ± mm ± INCH 1 PLACE ± 0.25 ± mm ± INCH ANGULAR ± 1°	MM ONLY	1:1	METRIC	
		DRAFT WHERE APPLICABLE MUST REMAIN WITHIN DIMENSIONS	SEE SHEET 1			
DRAWN BY: CHIRSCHY 2007/05/02 CHECKED BY: BRUSSELL 2007/05/02 APPROVED BY: RMAHMOOD 2007/05/02			TITLE: SFP+ 1X4 GANGED CAGE FOR LIGHT PIPES WITH SPRING FINGERS MOLEX INCORPORATED		MATERIAL NO. SD-74754-0420 DOCUMENT NO. 4 OF 5	

DATE (YEAR/MONTH/DAY)	REVISION	COMMENTS
2011/11/01	D	SD-74754-0420, UPDATED FROM REV. C TO REV D., ADDED P/N 747540423 & WELD POINTS IN SHEET 1.
2012/03/14	D1	PRE-RELEASED PROPOSED CHANGES: SHEET 1: REMOVED WELD POINTS FROM VIEWS; ADDED REF TO: 57.9 (L-16), 57.3 (H-16), 56.75 (F-17), AND 49.0 (F-10); D-7 DELETE 9.43; M-12, B-19, D-3: ADD 'FRONT' TO EMI SPRING FINGERS; C-2 CHANGE THE NUMBER OF WELDS FOR 747540420 FROM 5 TO 6; NOTE 6 FROM 'SPOT' TO 'SPOTS'. SHEET 4: I-9, E-9, AND D-9: ADD 'PAD'; J-4, E-4, AND D-4: ADD 'REF COINED TABS TO PCB PAD SURFACE'.
2012/03/28	E	ADDED A NOTE FOR 747540423 15mm MAX PITCH BETWEEN ANY 2 WELD POINTS) AND RELEASED.

FROM 5 TO 6 WELDS IEC NO: CPG2013-0972 DRAWN BY: MINSKI 2012/03/12 CHECKED BY: JOHNSTON 2012/10/11 APPR: KLOYD 2012/10/12	QUALITY SYMBOLS	GENERAL TOLERANCES (UNLESS SPECIFIED)	DIMENSION STYLE	SCALE	DESIGN UNITS	THIRD ANGLE PROJECTION
	▽=0	mm INCH	MM ONLY	1:1	METRIC	
	▽=0	4 PLACES ± --- ± ---	DRAWN BY DATE	TITLE		
	▽=0	3 PLACES ± --- ± ---	CHECKED BY DATE	SFP+ 1X4 GANGED CAGE FOR LIGHT PIPES WITH SPRING FINGERS		
▽=0	2 PLACES ± 0.15 ± ---	APPROVED BY DATE	MOLEX INCORPORATED			
▽=0	1 PLACE ± 0.25 ± ---	ANGULAR ± 1°	MOLEX INCORPORATED			
	DRAFT WHERE APPLICABLE MUST REMAIN WITHIN DIMENSIONS	SEE SHEET 1	DOCUMENT NO. SD-74754-0420			SHEET NO. 5 OF 5
			THIS DRAWING CONTAINS INFORMATION THAT IS PROPRIETARY TO MOLEX INCORPORATED AND SHOULD NOT BE USED WITHOUT WRITTEN PERMISSION			