



Chipsmall Limited consists of a professional team with an average of over 10 year of expertise in the distribution of electronic components. Based in Hongkong, we have already established firm and mutual-benefit business relationships with customers from,Europe,America and south Asia,supplying obsolete and hard-to-find components to meet their specific needs.

With the principle of “Quality Parts,Customers Priority,Honest Operation,and Considerate Service”,our business mainly focus on the distribution of electronic components. Line cards we deal with include Microchip,ALPS,ROHM,Xilinx,Pulse,ON,Everlight and Freescale. Main products comprise IC,Modules,Potentiometer,IC Socket,Relay,Connector.Our parts cover such applications as commercial,industrial, and automotives areas.

We are looking forward to setting up business relationship with you and hope to provide you with the best service and solution. Let us make a better world for our industry!



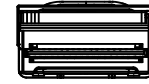
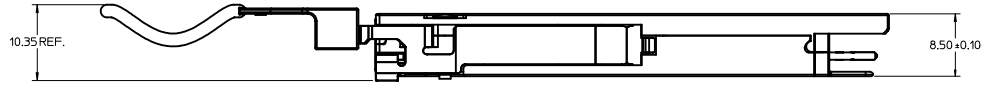
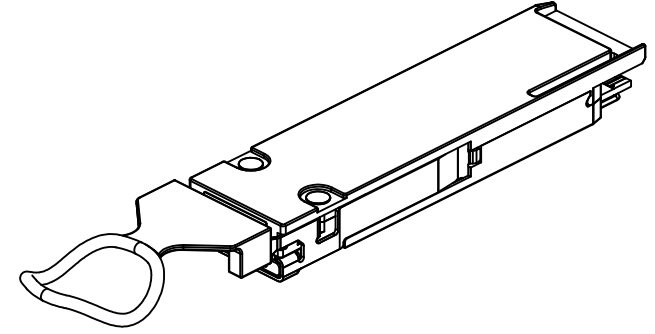
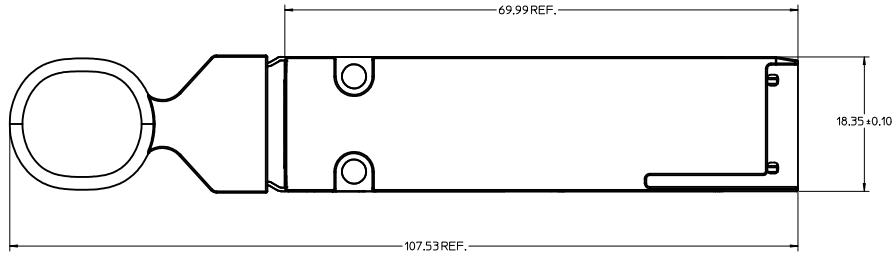
Contact us

Tel: +86-755-8981 8866 Fax: +86-755-8427 6832

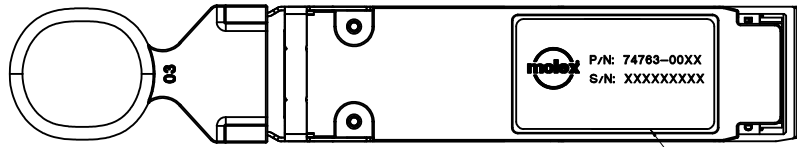
Email & Skype: info@chipsmall.com Web: www.chipsmall.com

Address: A1208, Overseas Decoration Building, #122 Zhenhua RD., Futian, Shenzhen, China





SEE PART DESCRIPTION



LABEL

1. MATES TO QSFP+ COMPONENTS WHICH COMPLY TO STANDARD MSA DIMENSION SPECIFICATIONS.
2. BACKSHELLS: ZINC DIE CAST WITH BRIGHT NICKEL PLATING
DELATCH: STAINLESS STEEL WITH OVERMOLDED NYLON
RIVETS: STAINLESS STEEL
4. 100 OHM IMPEDANCE
5. SUPPORTS SERIAL ID FUNCTIONALITY
6. 3.3V SUPPLY
7. HOT PLUGGABLE
8. LEAD FREE, NO RoHS EXEMPTIONS

MOLEX P/N	LABEL COLOR	PART DESCRIPTION
747630030	LIGHT BLUE	QSFP+ LOOPBACK ADAPTER WITH SERIAL ID, 0.0dB
747630035	LIGHT GREEN	QSFP+ LOOPBACK ADAPTER WITH SERIAL ID, 5.0dB
747630040	LIGHT BLUE	QSFP+ UNIVERSAL LOOPBACK ADAPTER WITH SERIAL ID, 0.0dB, 12C PORT EXPANDER
747630045	LIGHT GREEN	QSFP+ UNIVERSAL LOOPBACK ADAPTER WITH SERIAL ID, 5.0dB, 12C PORT EXPANDER

INITIAL RELEASE EC NO: USY2012-0338 DRAWN BY: JERWIN 2011/09/21 CHECKED BY: CHYOKKLOYD 2011/09/21 APPROVED BY: APPR:RMK 2011/09/23	QUALITY SYMBOLS ▽=0 ▽=0	GENERAL TOLERANCES (UNLESS SPECIFIED)		DIMENSION STYLE MM ONLY	SCALE 3:1	DESIGN UNITS METRIC	THIRD ANGLE PROJECTION
		4 PLACES ±--- ±--- 3 PLACES ±--- ±--- 2 PLACES ±--- ±--- 1 PLACE ±--- ±--- ANGULAR ±---°	mm INCH	DRAWN BY: JERWIN DATE: 2011/09/21 CHECKED BY: KLOYD DATE: 2011/09/21 APPROVED BY: RMK DATE: 2011/09/23	TITLE QSFP+ LOOPBACK ADAPTER	MATERIAL NO. SEE CHART	DOCUMENT NO. SD-74763-0030
DRAFT WHERE APPLICABLE MUST REMAIN WITHIN DIMENSIONS		THIS DRAWING CONTAINS INFORMATION THAT IS PROPRIETARY TO MOLEX INCORPORATED AND SHOULD NOT BE USED WITHOUT WRITTEN PERMISSION					

20 19 18 17 16 15 14 13 12 11 10 9 8 7 6 5 4 3 2 1

DATE	REV	CHANGES
2011/09/21	A	INITIAL RELEASE

INITIAL RELEASE IEC NO. USY2012-0338 DRAWN BY: JERWIN CHECKED BY: KLLLOYD APPROVED BY: RMKHAN	2011/09/21 2011/09/21 2011/09/23	QUALITY SYMBOLS =0 =0	GENERAL TOLERANCES (UNLESS SPECIFIED)		DIMENSION STYLE MM ONLY	SCALE 1:1	DESIGN UNITS METRIC	THIRD ANGLE PROJECTION
	4 PLACES #---# INCH 3 PLACES #---# INCH 2 PLACES #---# INCH 1 PLACE #---# INCH		4 PLACES #---# mm 3 PLACES #---# mm 2 PLACES #---# mm 1 PLACE #---# mm	DRAWN BY: JERWIN DATE: 2011/09/21	TITLE QSFP+ LOOPBACK ADAPTER			
	ANGULAR ±----°		DRAFT WHERE APPLICABLE MUST REMAIN WITHIN DIMENSIONS	CHECKED BY: KLLLOYD DATE: 2011/09/21	APPROVED BY: RMKHAN DATE: 2011/09/23			
	SEE CHART		MATERIAL NO.	DOCUMENT NO.			SHEET NO.	
SIZE D		THIS DRAWING CONTAINS INFORMATION THAT IS PROPRIETARY TO MOLEX INCORPORATED AND SHOULD NOT BE USED WITHOUT WRITTEN PERMISSION						