



Chipsmall Limited consists of a professional team with an average of over 10 year of expertise in the distribution of electronic components. Based in Hongkong, we have already established firm and mutual-benefit business relationships with customers from,Europe,America and south Asia,supplying obsolete and hard-to-find components to meet their specific needs.

With the principle of “Quality Parts,Customers Priority,Honest Operation,and Considerate Service”,our business mainly focus on the distribution of electronic components. Line cards we deal with include Microchip,ALPS,ROHM,Xilinx,Pulse,ON,Everlight and Freescale. Main products comprise IC,Modules,Potentiometer,IC Socket,Relay,Connector.Our parts cover such applications as commercial,industrial, and automotives areas.

We are looking forward to setting up business relationship with you and hope to provide you with the best service and solution. Let us make a better world for our industry!



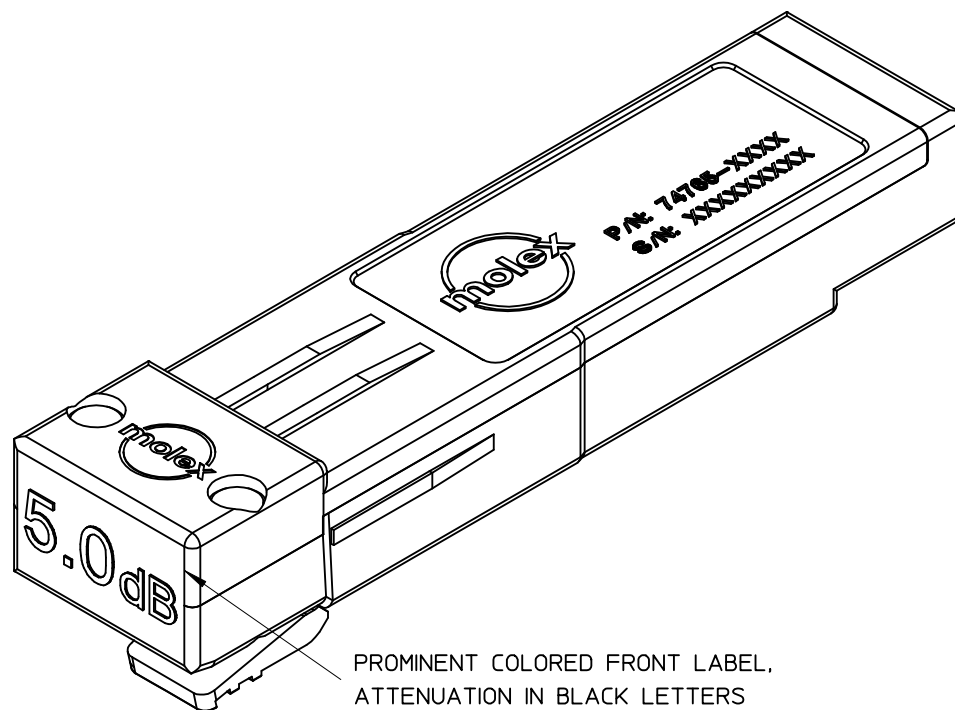
Contact us

Tel: +86-755-8981 8866 Fax: +86-755-8427 6832

Email & Skype: info@chipsmall.com Web: www.chipsmall.com

Address: A1208, Overseas Decoration Building, #122 Zhenhua RD., Futian, Shenzhen, China



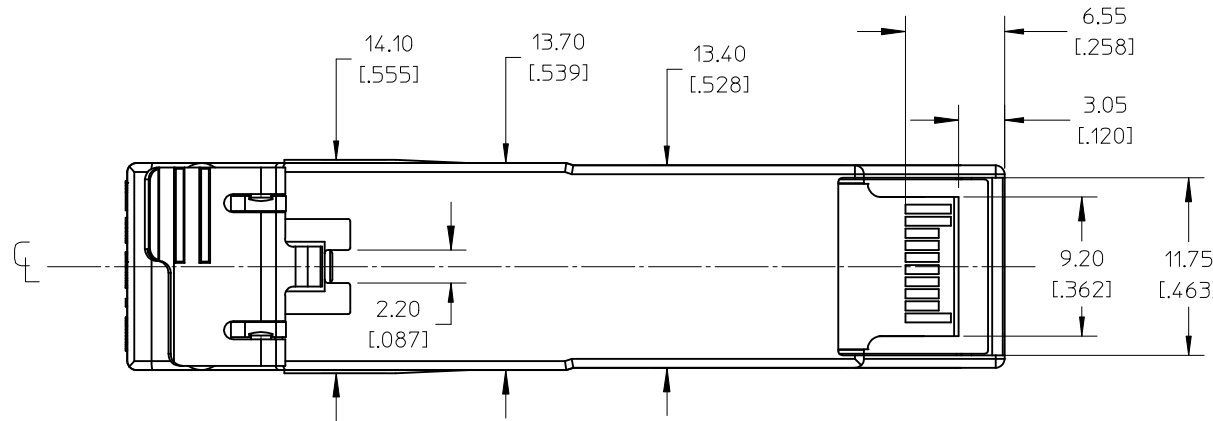
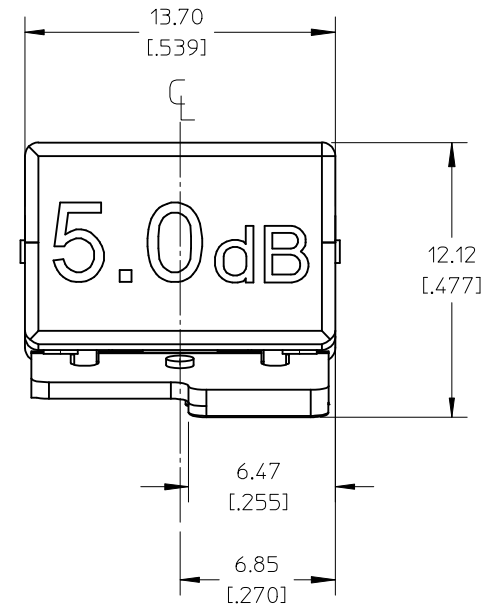
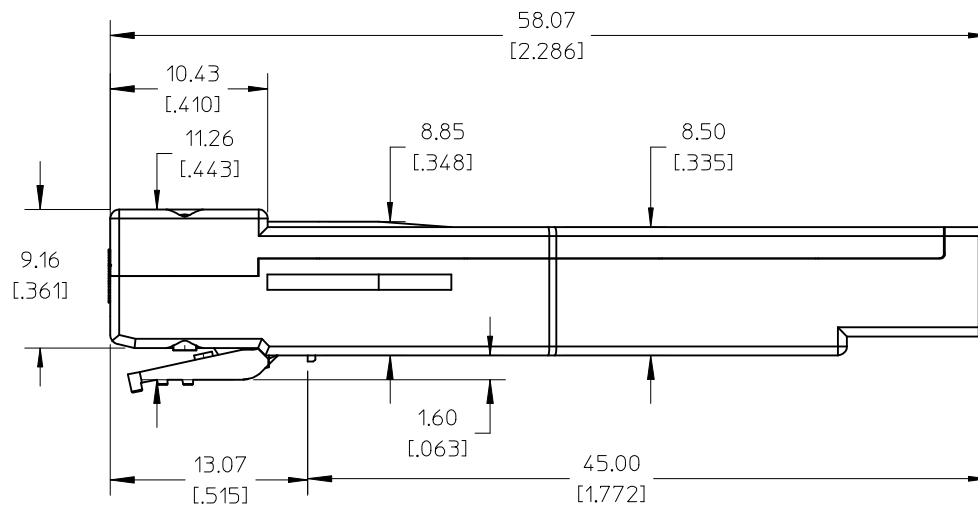


PROMINENT COLORED FRONT LABEL,
ATTENUATION IN BLACK LETTERS

1. Mates to SFP components which comply to standard MSA dimension specifications.
2. Support for: Data rates to 10 Gbps
3. Robust zinc die cast body, bright nickel plated. Mounts belly-to-belly using 0.093"+ boards.
4. Raised wedges assure electrical contact with surrounding EMI cage assembly.
5. Spring loaded latch releases with simple squeeze, and pull action.
6. 100 ohm impedance.
7. Supports serial ID functionality.
8. 3.3V supply.
9. Hot pluggable.

PART NUMBER	LABEL COLOR	PART DESCRIPTION
747650904	TAN	SERIAL ID, WITH 5.0 dB ATTENUATION
747650906	LIGHT BLUE	SERIAL ID, WITH 0.0 dB ATTENUATION

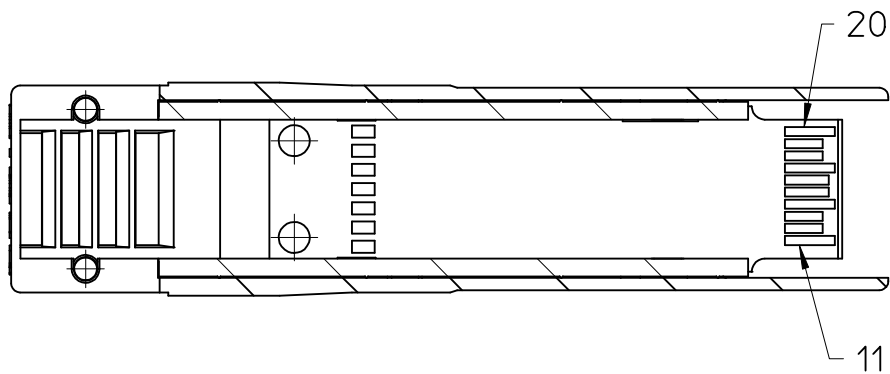
ENTER DESCRIPTION EC NO: USY2009-0124 DRWN: JERWIN 2008/09/25 CHKD: BRUSSELL 2008/10/07 APPR: BRUSSELL 2008/10/08	REV DESCRIPTION REV	QUALITY SYMBOLS ▼=0 ◻=0	GENERAL TOLERANCES (UNLESS SPECIFIED)		DIMENSION STYLE		SCALE	DESIGN UNITS	THIRD ANGLE PROJECTION	
				mm	INCH	MM/IN		2:1		METRIC
			4 PLACES	± ---	± ---	DRAWN BY	DATE	TITLE		
			3 PLACES	± ---	± .005	JERWIN	2007/11/07			
2 PLACES	± 0.13	± ---	CHECKED BY	DATE	SFP+ 10G LOOPBACK ADAPTER MOLEX INCORPORATED					
1 PLACE	± ---	± ---	BRUSSELL	2007/11/07						
ANGULAR ±1/2°			APPROVED BY		DATE	DOCUMENT NO.		SHEET NO.		
DRAFT WHERE APPLICABLE MUST REMAIN WITHIN DIMENSIONS			BRUSSELL		2007/11/07	SD-74765-0904		1 OF 3		
			MATERIAL NO.		SEE CHART					
THIS DRAWING CONTAINS INFORMATION THAT IS PROPRIETARY TO MOLEX INCORPORATED AND SHOULD NOT BE USED WITHOUT WRITTEN PERMISSION										



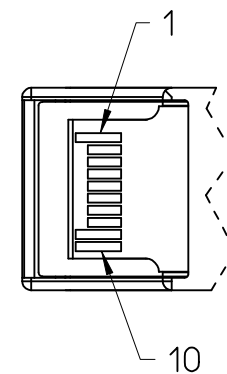
▲ ATTENUATION LEVEL FOR 74765-0904 SHOWN AS EXAMPLE.

ENTER DESCRIPTION EC NO: USY2009-0124 DRWN: JERWIN 2008/09/25 CH'KD: BRUSSELL 2008/10/07 APPR: BRUSSELL 2008/10/08	QUALITY SYMBOLS 	GENERAL TOLERANCES (UNLESS SPECIFIED)		DIMENSION STYLE MM/IN		SCALE 2:1	DESIGN UNITS METRIC	THIRD ANGLE PROJECTION	
		4 PLACES	± ---	± ---	DRAWN BY JERWIN	DATE 2007/11/07	TITLE SFP+ 10G LOOPBACK ADAPTER		
		3 PLACES	± ---	± .005	CHECKED BY BRUSSELL	DATE 2007/11/07			
		2 PLACES	± 0.13	± ---	APPROVED BY BRUSSELL	DATE 2007/11/07	MOLEX INCORPORATED		
1 PLACE	± ---	± ---	MATERIAL NO. SEE CHART		DOCUMENT NO. SD-74765-0904	SHEET NO. 2 OF 3			
DRAFT WHERE APPLICABLE MUST REMAIN WITHIN DIMENSIONS			THIS DRAWING CONTAINS INFORMATION THAT IS PROPRIETARY TO MOLEX INCORPORATED AND SHOULD NOT BE USED WITHOUT WRITTEN PERMISSION						

Top View
Cutaway



Bottom
View



Gnd T	20	1	Gnd T
TD-	19	2	Tx Fault
TD+	18	3	Tx Disable
Gnd T	17	4	MOD-DEF(2)
VccT	16	5	MOD-DEF(1)
VccR	15	6	MOD-DEF(0)
Gnd R	14	7	Rate Select
RD+	13	8	LOS
RD-	12	9	Gnd R
Gnd R	11	10	Gnd R

ENTER DESCRIPTION EC NO: USY2009-0124 DRWN: JERWIN 2008/09/25 CHKD: BRUSSELL 2008/10/07 APPR: BRUSSELL 2008/10/08	QUALITY SYMBOLS ▽=0 ◻=0	GENERAL TOLERANCES (UNLESS SPECIFIED)		DIMENSION STYLE	SCALE	DESIGN UNITS	THIRD ANGLE PROJECTION	
			mm	INCH	MM/IN	2:1	METRIC	
		4 PLACES	± ---	± ---	DRAWN BY	DATE	TITLE	
		3 PLACES	± ---	± .005	JERWIN	2007/11/07		
2 PLACES	± 0.13	± ---	CHECKED BY	DATE	SFP+ 10G LOOPBACK ADAPTER			
1 PLACE	± ---	± ---	BRUSSELL	2007/11/07				
		ANGULAR ±1/2°	APPROVED BY	DATE	MOLEX INCORPORATED			
			BRUSSELL	2007/11/07				
		DRAFT WHERE APPLICABLE MUST REMAIN WITHIN DIMENSIONS	MATERIAL NO.	SEE CHART	DOCUMENT NO.	SHEET NO.		
					SD-74765-0904	3 OF 3		