



Chipsmall Limited consists of a professional team with an average of over 10 year of expertise in the distribution of electronic components. Based in Hongkong, we have already established firm and mutual-benefit business relationships with customers from,Europe,America and south Asia,supplying obsolete and hard-to-find components to meet their specific needs.

With the principle of “Quality Parts,Customers Priority,Honest Operation,and Considerate Service”,our business mainly focus on the distribution of electronic components. Line cards we deal with include Microchip,ALPS,ROHM,Xilinx,Pulse,ON,Everlight and Freescale. Main products comprise IC,Modules,Potentiometer,IC Socket,Relay,Connector.Our parts cover such applications as commercial,industrial, and automotives areas.

We are looking forward to setting up business relationship with you and hope to provide you with the best service and solution. Let us make a better world for our industry!



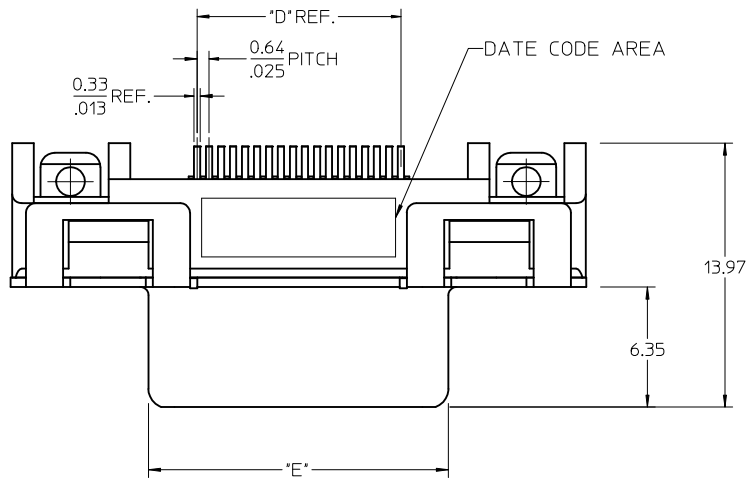
Contact us

Tel: +86-755-8981 8866 Fax: +86-755-8427 6832

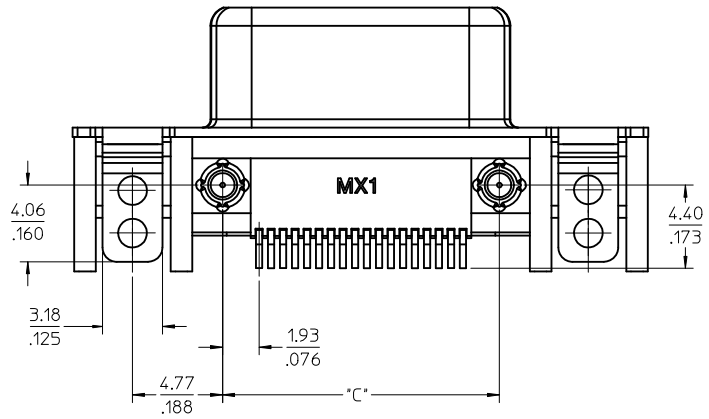
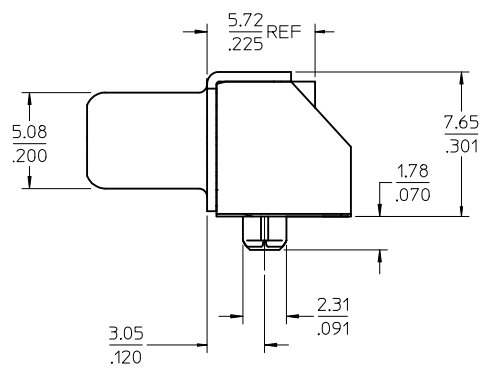
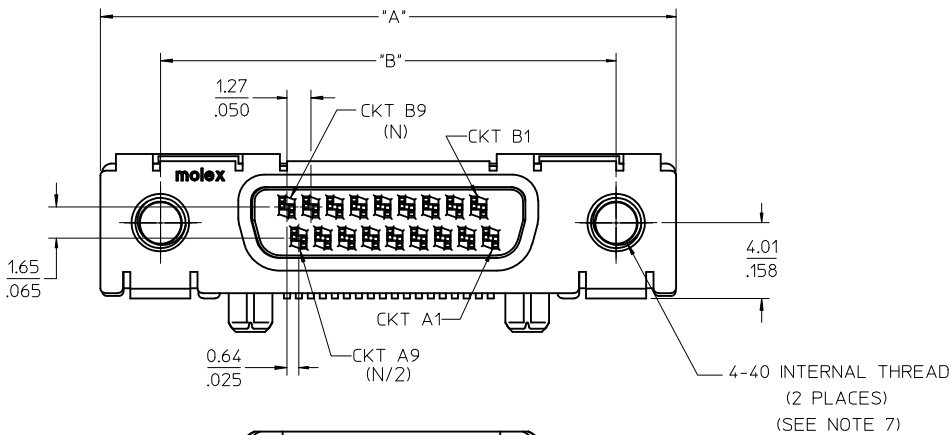
Email & Skype: info@chipsmall.com Web: www.chipsmall.com

Address: A1208, Overseas Decoration Building, #122 Zhenhua RD., Futian, Shenzhen, China

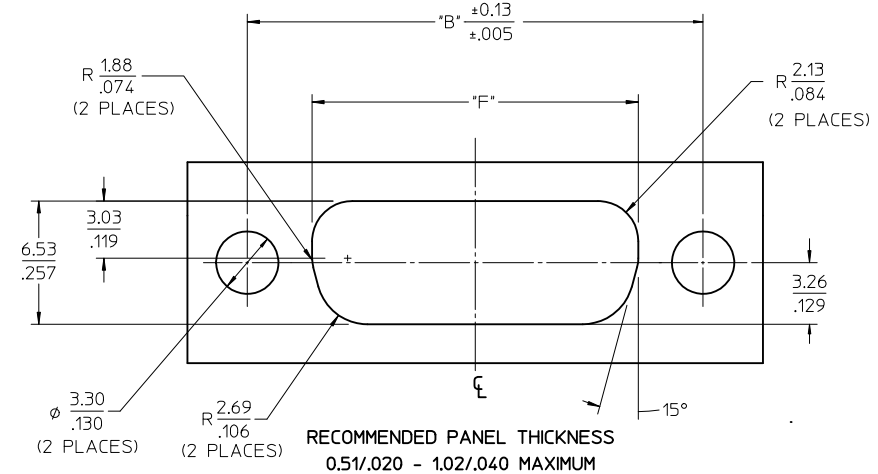
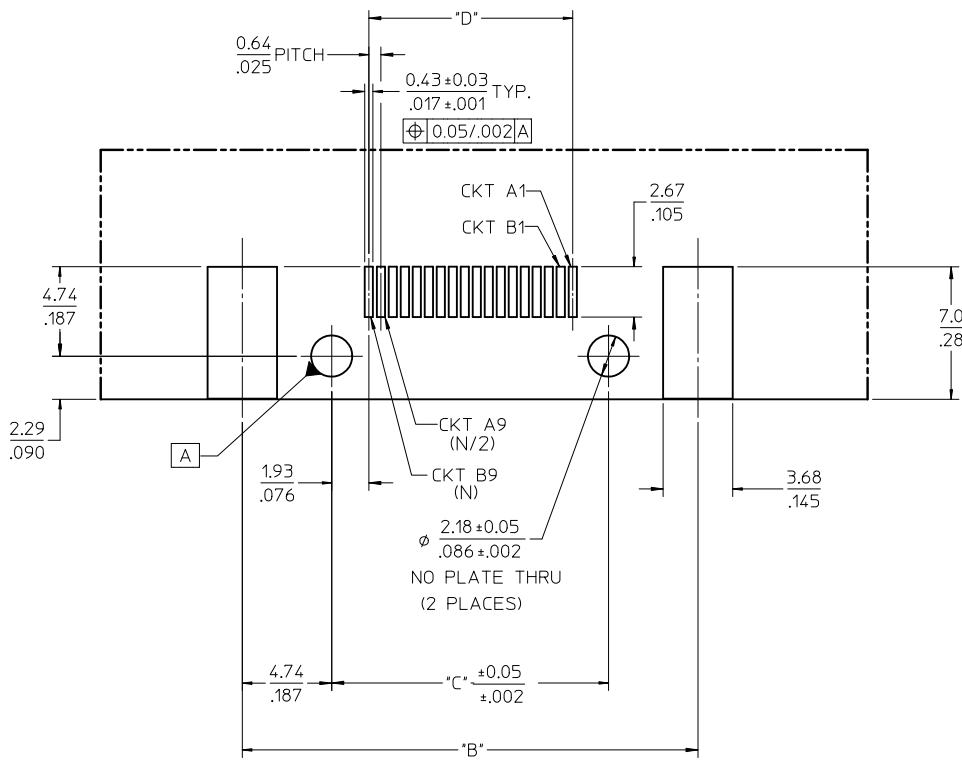




- NOTES:**
- MATERIALS:**
 SHIELD - DEEP DRAWN STEEL
 HOUSING - GLASS FILLED POLYMER, BLACK, UL 94V-0
 CONTACTS - COPPER ALLOY
 - PLATING:**
 TERMINALS - SELECTIVE GOLD (Au) THICKNESS IN CONTACT AREA,
 0.38 MICROMETERS/15 MICROINCHES MINIMUM,
 SELECTIVE MATTE TIN (Sn) THICKNESS IN PC TAIL AREA,
 2.54 MICROMETERS/100 MICROINCHES MINIMUM,
 OVER NICKEL (Ni) UNDERPLATE OVERALL.
 SHIELD - 2.54 MICROMETERS/100 MICROINCHES MINIMUM MATTE TIN (Sn)
 OVER 1.27 MICROMETERS/50 MICROINCHES MINIMUM NICKEL (Ni)
 OVER COPPER (Cu) UNDERPLATE OVERALL.
 - PC SMT TAILS AND 2 GROUND TABS ARE TO BE COPLANAR WITHIN 0.127/0.005.
 - PARTS TO BE PACKAGED IN TAPE AND REEL. SEE CHART ON SHEET 2 FOR PACKAGING SPECIFICATION.
 - REFER TO SHEET 2 FOR RECOMMENDED PCB LAYOUT AND PANEL CUT-OUT.
 - PRODUCT CONFORMS TO MOLEX PRODUCT SPECIFICATION PS-74960-000.
 - FOR TDP RECEPTACLE WITH M3 INTERNAL THREAD OPTION CONTACT PRODUCT MARKETING.



ADDED DATE CODE EC NO: UCP2011-0882 DRWN: JJANTELEZ009/11/25 CHKD: APPR: MBANAKIS 2010/10/29	QUALITY SYMBOLS ▽ - 0 ∇ - 0	GENERAL TOLERANCES (UNLESS SPECIFIED)		SCALE 5:1	DESIGN UNITS INCH	THIRD ANGLE PROJECTION	REVISE ON CAD ONLY
			mm	INCH	DIMENSION STYLE MM/IN		TITLE SALES DRAWING - PCIE/TDP SMT RECEPTACLE ASSEMBLY
		4 PLACES	± ---	± ---	DRAWN BY JJANTELEZ DATE 07/15/2008		
		3 PLACES	± ---	± .010			
2 PLACES	± 0.25	± .015	CHECKED BY TMCCLELL DATE 07/15/2008				
1 PLACE	± 0.38	± ---	APPROVED BY MBANAKIS DATE 2010/10/29		MATERIAL NO. SEE CHART	DOCUMENT NO. SD-74960-010	SHEET NO. 1 OF 3
DRAFT WHERE APPLICABLE MUST REMAIN WITHIN DIMENSIONS		THIS DRAWING CONTAINS INFORMATION THAT IS PROPRIETARY TO MOLEX INCORPORATED AND SHOULD NOT BE USED WITHOUT WRITTEN PERMISSION					



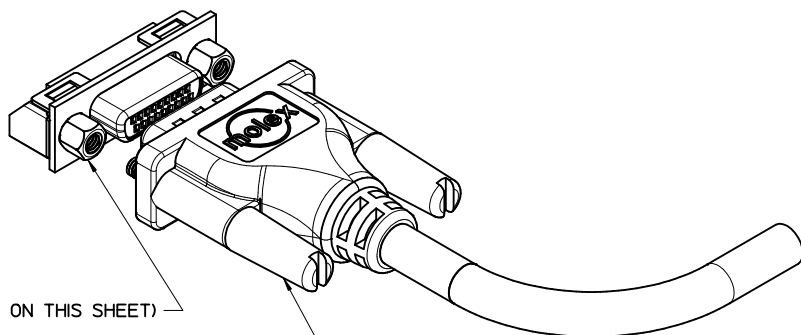
NOT TOOLED	MATERIAL NUMBER	CIRCUIT SIZE	*A* DIMENSION	*B* DIMENSION	*C* DIMENSION	*D* DIMENSION	*E* DIMENSION	*F* DIMENSION	PACKAGING SPECIFICATION	
	74960-3018	18	30.48 1.200	24.13 .950	14.66 .577	10.80 .425	15.87 .625	17.27 .680	PK-74960-995	
	74960-3028	28	36.83 1.450	30.48 1.200	21.01 .827	17.15 .675	22.17 .873	23.62 .930	PK-74960-995	
X	74960-3038	38	43.18 1.700	36.83 1.450	27.36 1.077	23.50 .925	28.52 1.123	29.97 1.180	N/A	CONTACT PRODUCT MARKETING
	74960-3048	48	49.53 1.950	43.18 1.700	33.71 1.327	29.85 1.175	34.87 1.373	36.32 1.430	PK-74960-996	
X	74960-3072	72	64.77 2.550	58.42 2.300	48.95 1.927	45.09 1.775	50.11 1.973	51.56 2.030	N/A	CONTACT PRODUCT MARKETING

NOTES:

- ALL DIMENSIONS ON THIS SHEET ARE ±0.13/.005 TOLERANCE UNLESS OTHERWISE SPECIFIED.
- DIMENSIONS SHOWN ABOUT A CENTERLINE ARE SYMMETRICAL ABOUT THAT CENTERLINE WITHIN HALF THE SPECIFIED TOLERANCE.

SEE SHEET 1 EC NO: UCP2011-0882 DRWN: JJANTELEZ009/11/25 CHKD: APPR: MBANAKIS 2010/10/29	QUALITY SYMBOLS	GENERAL TOLERANCES (UNLESS SPECIFIED)		SCALE 5:1	DESIGN UNITS INCH	THIRD ANGLE PROJECTION	REVISE ON CAD ONLY
	▽ 0	mm	INCH	DIMENSION STYLE MM/IN		TITLE SALES DRAWING - PCIE/TDP SMT RECEPTACLE ASSEMBLY	
	▽ 0	4 PLACES ± --- ± ---	3 PLACES ± --- ± 0.10	DRAWN BY JJANTELEZ	DATE 07/15/2008	MATERIAL NO. SEE CHART	
		2 PLACES ± 0.25 ± 0.15	1 PLACE ± 0.38 ± ---	CHECKED BY TMCLELL	DATE 07/15/2008	DOCUMENT NO. SD-74960-010	
	ANGULAR ± 1/2°	DRAFT WHERE APPLICABLE MUST REMAIN WITHIN DIMENSIONS		APPROVED BY MBANAKIS	DATE 2010/10/29	SHEET NO. 2 OF 3	
THIS DRAWING CONTAINS INFORMATION THAT IS PROPRIETARY TO MOLEX INCORPORATED AND SHOULD NOT BE USED WITHOUT WRITTEN PERMISSION							

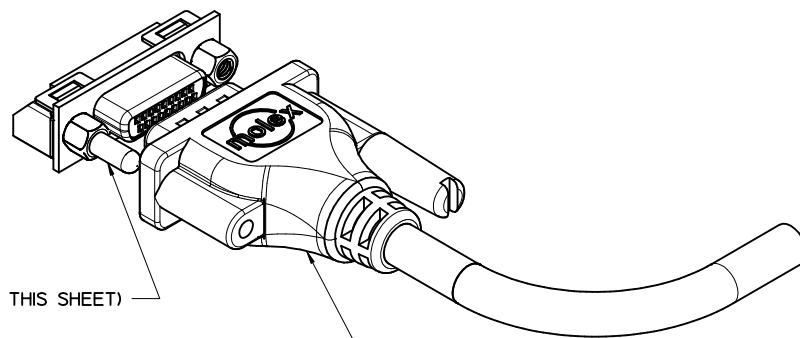
STANDARD CONFIGURATION



(SEE NOTE 1 ON THIS SHEET)

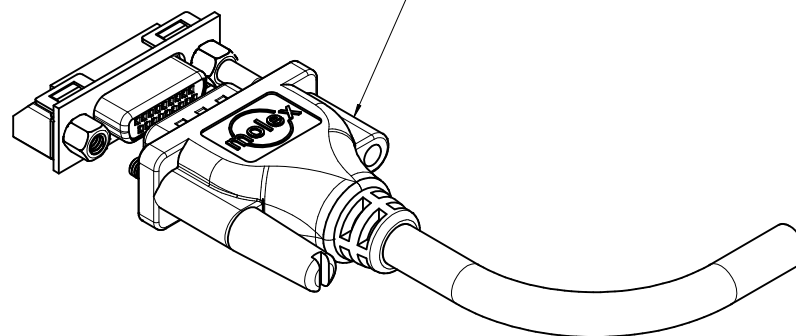
SEE SALES DRAWING SD-74576-000
FOR STANDARD CABLE PART NUMBER

OPTIONAL CONFIGURATION



(SEE NOTE 2 ON THIS SHEET)

SEE SALES DRAWING SD-74576-0300
FOR OPTIONAL CABLE PART NUMBER



RECOMMENDED JACKPOST
INTERNAL THREAD OPTIONS
(SEE NOTE 1 ON THIS SHEET)

4-40

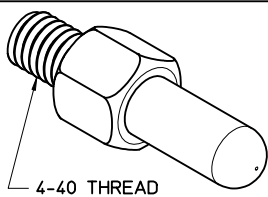
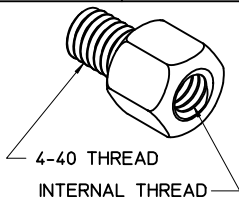
M3

74962-0001

74962-0002

OPTIONAL JACKPOST
POLARIZATION HARDWARE
(SEE NOTE 2 ON THIS SHEET)

74962-0100



1. RECOMMENDED JACK POST MOUNTING HARDWARE (QTY 2 PER ASSEMBLY),
SEE CHART FOR ITEM NUMBERS AND SALES DRAWING SD-74962-000.
2. OPTIONAL JACK POST POLARIZATION HARDWARE,(QTY 1 PER ASSEMBLY),
SEE CHART FOR ITEM NUMBER AND SALES DRAWING SD-74962-100.

SEE SHEET 1 EC NO.: UCP2011-0882 DRWN: JANTELEZ10 200911/175 CHKD: APPR: MBANAKIS 2010/10/29	REV	DESCRIPTION	QUALITY SYMBOLS ▽=0 ▽=0 ▽=0	GENERAL TOLERANCES (UNLESS SPECIFIED)		DIMENSION STYLE		SCALE	DESIGN UNITS	THIRD ANGLE PROJECTION
				mm INCH		MM/IN		4:1	INCH	☉
				4 PLACES ± --- ± ---		DRAWN BY	DATE	TITLE		
				3 PLACES ± --- ± .010		JJANTELEZ10	07/15/2008	SALES DRAWING - PCIE/TDP SMT RECEPTACLE ASSEMBLY		
		2 PLACES ± 0.25 ± .015		CHECKED BY	DATE					
		1 PLACE ± 0.38 ± ---		APPROVED BY	DATE					
		ANGULAR ±1/2°		MBANAKIS	2010/10/29	MOLEX INCORPORATED				
DRAFT WHERE APPLICABLE MUST REMAIN WITHIN DIMENSIONS				MATERIAL NO.		DOCUMENT NO.		SHEET NO.		
				SEE SHEET 1		SD-74960-010		3 OF 3		
				THIS DRAWING CONTAINS INFORMATION THAT IS PROPRIETARY TO MOLEX INCORPORATED AND SHOULD NOT BE USED WITHOUT WRITTEN PERMISSION						