



Chipsmall Limited consists of a professional team with an average of over 10 year of expertise in the distribution of electronic components. Based in Hongkong, we have already established firm and mutual-benefit business relationships with customers from,Europe,America and south Asia,supplying obsolete and hard-to-find components to meet their specific needs.

With the principle of “Quality Parts,Customers Priority,Honest Operation,and Considerate Service”,our business mainly focus on the distribution of electronic components. Line cards we deal with include Microchip,ALPS,ROHM,Xilinx,Pulse,ON,Everlight and Freescale. Main products comprise IC,Modules,Potentiometer,IC Socket,Relay,Connector.Our parts cover such applications as commercial,industrial, and automotives areas.

We are looking forward to setting up business relationship with you and hope to provide you with the best service and solution. Let us make a better world for our industry!



Contact us

Tel: +86-755-8981 8866 Fax: +86-755-8427 6832

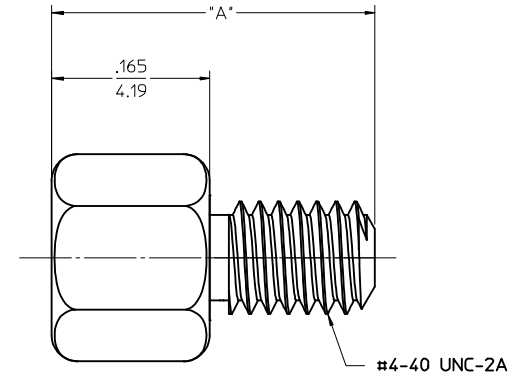
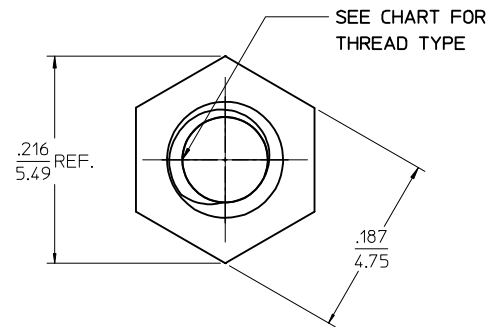
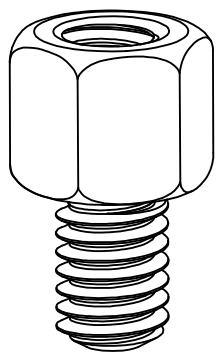
Email & Skype: info@chipsmall.com Web: www.chipsmall.com

Address: A1208, Overseas Decoration Building, #122 Zhenhua RD., Futian, Shenzhen, China



MAT'L NO.	INTERNAL THREAD	DIM. "A"	MATERIAL / PLATING
74962-0001	4-40 UNC-2B	.338 / 8.60	1215 STEEL
74962-0002	M3x0.5 CLASS 6H	.338 / 8.60	ZN CLEAR TRIVALENT CHROMATE
74962-0003	4-40 UNC-2B	.378 / 9.60	1215 STEEL
74962-0004	M3x0.5 CLASS 6H	.378 / 9.60	ZN CLEAR TRIVALENT CHROMATE

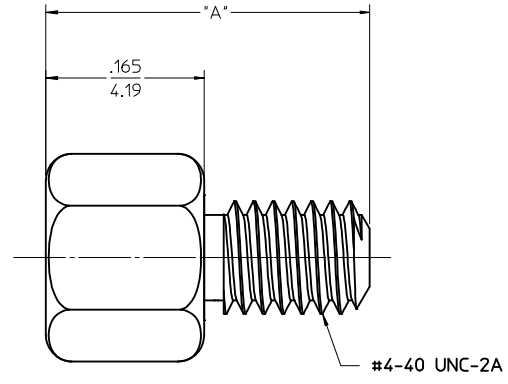
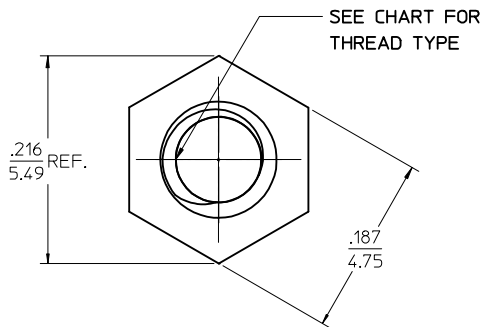
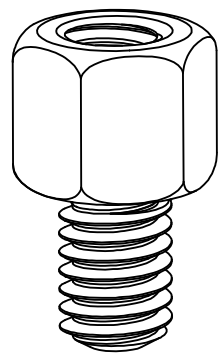
NOTES:
 1. PARTS ARE PACKAGED IN POLY BAGS CONSISTING OF 40 PIECES.
 2. INTERNAL AND EXTERNAL THREADS TO WITHSTAND A MINIMUM APPLIED TORQUE OF 5 lbf in/5.76 kgf cm.



CHANGED MATERIAL EC NO: UCP2009-2659 DRWN: JIANTELEZ 4/28/09 CHKD: 2009/06/09 APPR: MBANAKIS2009/06/09	QUALITY SYMBOLS	GENERAL TOLERANCES (UNLESS SPECIFIED)	SCALE 10:1	DESIGN UNITS INCH	THIRD ANGLE PROJECTION	REVISE ON CAD ONLY
	▼ - 0 ∇ - 0	4 PLACES ± --- ± ---	DIMENSION STYLE IN/MM	TITLE		
		3 PLACES ± --- ± .010		TDP 3/16" HEX JACKPOST		
		2 PLACES ± 0.25 ± ---	DRAWN BY TMCLELL	DATE 03/03/11	MOLEX INCORPORATED MATERIAL NO. SEE CHART DOCUMENT NO. SD-74962-000 SHEET NO. 1 OF 1	
1 PLACE ± --- ± ---	CHECKED BY	DATE				
	ANGULAR ± 1/2°	DRAFT WHERE APPLICABLE MUST REMAIN WITHIN DIMENSIONS	APPROVED BY MBANAKIS	DATE 08/11/17	THIS DRAWING CONTAINS INFORMATION THAT IS PROPRIETARY TO MOLEX INCORPORATED AND SHOULD NOT BE USED WITHOUT WRITTEN PERMISSION	

MAT'L NO.	INTERNAL THREAD	DIM. "A"	MATERIAL / PLATING
74962-1000	4-40 UNC-2B	.338 / 8.60	STAINLESS STEEL 303
74962-2000	M3x0.5 CLASS 6H	.338 / 8.60	
74962-3000	4-40 UNC-2B	.378 / 9.60	STAINLESS STEEL 303
74962-4000	M3x0.5 CLASS 6H	.378 / 9.60	
74962-0005	4-40 UNC-2B	.421 / 10.69	STAINLESS STEEL 303
74962-0006	M3x0.5 CLASS 6H	.421 / 10.69	

NOTES:
 1. PARTS ARE PACKAGED IN POLY BAGS CONSISTING OF 40 PIECES.
 2. INTERNAL AND EXTERNAL THREADS TO WITHSTAND A MINIMUM APPLIED TORQUE OF 5 lbf in/5.76 kgf cm.

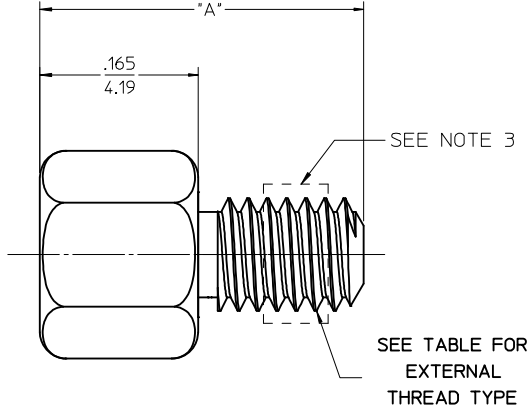
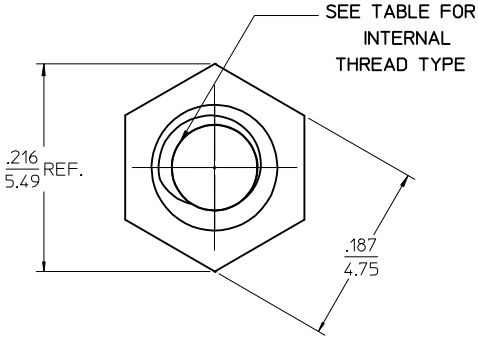
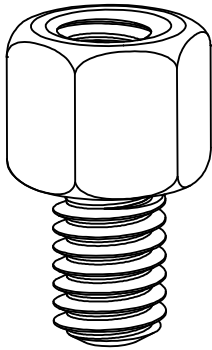


INITIAL RELEASE EC NO: UCP2015-0921 DRWNT: IBARRA 2014/08/01 CHKD: MPOFF 2014/08/29 APPR: SMILLER 2014/09/04	QUALITY SYMBOLS	GENERAL TOLERANCES (UNLESS SPECIFIED)	DIMENSION STYLE	SCALE	DESIGN UNITS	THIRD ANGLE PROJECTION
	▽=0	mm INCH	IN/MM	10:1	INCH	
	▽=0	4 PLACES ± --- ± ---	DRAWN BY DATE	TITLE		
	▽=0	3 PLACES ± --- ± .010	TIBARRA 2014/08/01	TDP 3/16" HEX JACKPOST		
	2 PLACES ± 0.25 ± ---	CHECKED BY DATE	molex			
	1 PLACE ± --- ± ---	MPOFF 2014/08/29				
	0 PLACE ± ±	APPROVED BY DATE	DOCUMENT NO.		SHEET NO.	
	ANGULAR ±1/2°	SMILLER 2014/09/04	SD-74962-1000		1 OF 1	
	DRAFT WHERE APPLICABLE MUST REMAIN WITHIN DIMENSIONS	MATERIAL NO.	THIS DRAWING CONTAINS INFORMATION THAT IS PROPRIETARY TO MOLEX INCORPORATED AND SHOULD NOT BE USED WITHOUT WRITTEN PERMISSION			
A	REV	SIZE				

13	12	11	10	9	8	7	6	5	4	3	2	1
MAT'L NO.	INTERNAL THREAD	EXTERNAL THREAD	DIM. "A"	MATERIAL / PLATING								
74962-1110	4-40 UNC-2B	4-40 UNC-2A	.338 / 8.60	STAINLESS STEEL 303 / NYLON TORQUE PATCH								

NOTES:

- PARTS ARE PACKAGED IN POLY BAGS CONSISTING OF 40 PIECES.
- INTERNAL AND EXTERNAL THREADS TO WITHSTAND A MINIMUM APPLIED TORQUE OF 5 lbf in/5.76 kgf cm.
- NYLOK® TORQUE PATCH LOCATED TO THE LEFT OF THE FIRST OR SECOND FULL THREADS AND COVERS 3 THREADS MINIMUM.



MOD NOTE 3 EC NO: UCP2016-1139 DRWN: TIBARRA CHKD: MCAN APPR: MILLER	2015/09/14 2015/09/14 2015/09/17	DESCRIPTION REV B	QUALITY SYMBOLS ▽=0 ▽=0 ▽=0	GENERAL TOLERANCES (UNLESS SPECIFIED)		DIMENSION STYLE IN/MM		SCALE 10:1	DESIGN UNITS INCH	THIRD ANGLE PROJECTION		
								DRAWN BY TIBARRA		DATE 2015/07/09		TITLE TDP 3/16" HEX JACKPOST WITH TORQUE PATCH
								CHECKED BY DMORGAN		DATE 2017/07/09		
								APPROVED BY SMILLER		DATE 2015/08/14		
				ANGULAR ±1/2°		MATERIAL NO. SEE TABLE		DOCUMENT NO. SD-74962-1110		SHEET NO. 1 OF 1		
DRAFT WHERE APPLICABLE MUST REMAIN WITHIN DIMENSIONS						SIZE C		THIS DRAWING CONTAINS INFORMATION THAT IS PROPRIETARY TO MOLEX INCORPORATED AND SHOULD NOT BE USED WITHOUT WRITTEN PERMISSION				