



Chipsmall Limited consists of a professional team with an average of over 10 year of expertise in the distribution of electronic components. Based in Hongkong, we have already established firm and mutual-benefit business relationships with customers from,Europe,America and south Asia,supplying obsolete and hard-to-find components to meet their specific needs.

With the principle of “Quality Parts,Customers Priority,Honest Operation,and Considerate Service”,our business mainly focus on the distribution of electronic components. Line cards we deal with include Microchip,ALPS,ROHM,Xilinx,Pulse,ON,Everlight and Freescale. Main products comprise IC,Modules,Potentiometer,IC Socket,Relay,Connector.Our parts cover such applications as commercial,industrial, and automotives areas.

We are looking forward to setting up business relationship with you and hope to provide you with the best service and solution. Let us make a better world for our industry!



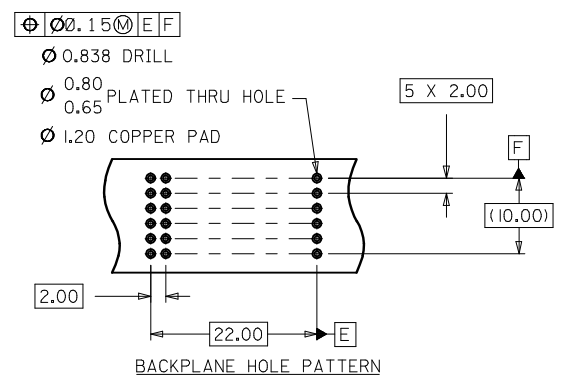
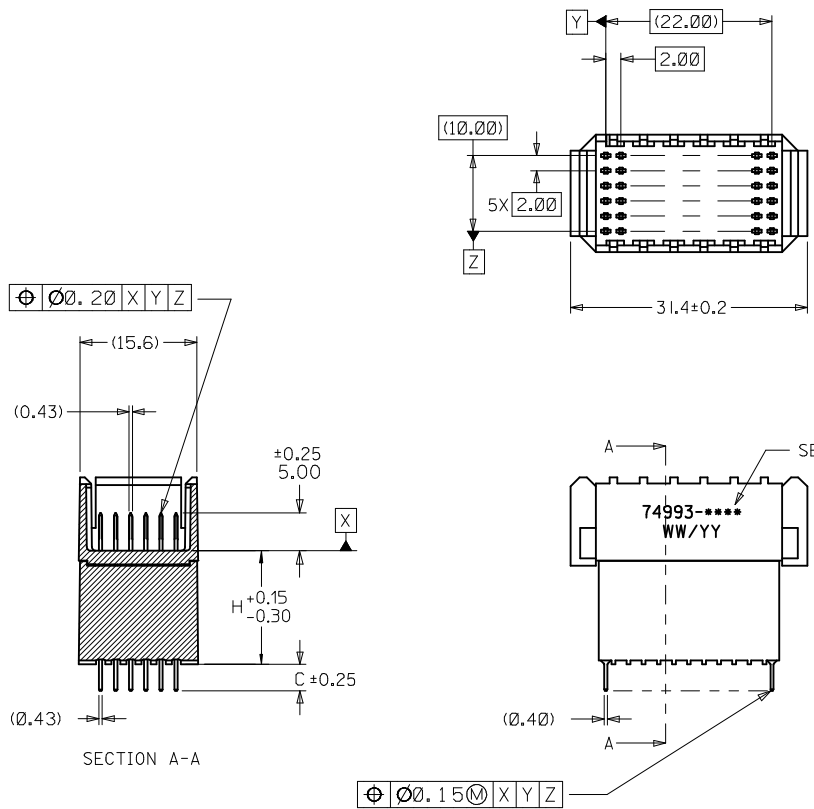
Contact us

Tel: +86-755-8981 8866 Fax: +86-755-8427 6832

Email & Skype: info@chipsmall.com Web: www.chipsmall.com

Address: A1208, Overseas Decoration Building, #122 Zhenhua RD., Futian, Shenzhen, China





- Notes:**
- MATERIALS: HOUSING-LIQUID CRYSTAL POLYMER (LCP), GLASS FILLED, UL94V-0, COLOR: BLACK
TERMINAL-PHOSPHOR BRONZE.
 - FINISH:
PRESS FIT OPTION: SELECTIVE GOLD (Au) IN CONTACT AREA, 0.00076mm THICKNESS, SELECTIVE TIN/LEAD (Sn/Pb) ON PCB TAILS, NICKEL (Ni) OVERALL.
SOLDER TAIL OPTION: SELECTIVE GOLD (Au) IN CONTACT AREA, 0.00076mm THICKNESS, SELECTIVE TIN ON PCB TAILS, NICKEL (Ni) OVERALL.
 - THIS PART CONFORMS TO MOLEX PRODUCT SPECIFICATION PS-73780-999.
 - SEE TABLE ON SHEET 2 FOR PACKAGING SPECIFICATION.
 - PARTS MARKED WITH PART NUMBER AND DATE CODE ON EITHER SIDE APPROXIMATELY WHERE SHOWN.
 - THIS PART CONFORMS TO MOLEX COSMETIC SPECIFICATION PS-45499-002 CLASS C.

CHG PKG FOR 15mm EC NO: UCP2013-0087 DRW:DMORGAN 2012/08/28 CHK:DBARKER 2012/08/28 APPR:SMILLER 2012/09/18	QUALITY SYMBOLS ▽=0 ▽=0 ▽=0	GENERAL TOLERANCES (UNLESS SPECIFIED)		DIMENSION STYLE MM ONLY		SCALE 2:1	DESIGN UNITS METRIC	THIRD ANGLE PROJECTION			
		4 PLACES ± --- ± ---	3 PLACES ± --- ± ---	2 PLACES ± 0.05 ± ---	1 PLACE ± 0.10 ± ---	0 PLACE ± --- ± ---	DRAWN BY JB INGHAM	DATE 2001/10/08	TITLE SALES ASSEMBLY HDM BACKPLANE STACKING MODULE DOUBLE END WALL		
		ANGULAR ±1/2°					CHECKED BY SREED	DATE 2001/10/08	DOCUMENT NO. SD-74993-001		
		DRAFT WHERE APPLICABLE MUST REMAIN WITHIN DIMENSIONS					APPROVED BY CB IXLER	DATE 2001/10/08			

SEE SHEET 2
 THIS DRAWING CONTAINS INFORMATION THAT IS PROPRIETARY TO MOLEX. INCORPORATED AND SHOULD NOT BE USED WITHOUT WRITTEN PERMISSION

MATERIAL NUMBER ASSIGNMENT

74993-* * 0 0

NUMBER	CIRCUIT SIZE	DIM "C"	TAIL STYLE
0	72	2.0	SOLDER
1	72	2.5	SOLDER
2	72	3.0	SOLDER
3	72	3.5	SOLDER
4	72	3.5	PRESSFIT

NUMBER	DIM "H"	PACKAGING SPECIFICATION
0	6.05	PK-70873-0875
1	10.05	PK-70873-0871
2	15.05	PK-70873-1873




SEE SHEET 1 EC NO: UCP2013-0087 2012/08/28 DRWIN:MORGAN 2012/08/28 CHKD:BBARKER 2012/09/18 APPR:SMILLER	DESCRIPTION REV	QUALITY SYMBOLS ▽=0 ▽=0 ▽=0	GENERAL TOLERANCES (UNLESS SPECIFIED)		DIMENSION STYLE MM ONLY		SCALE 1:1	DESIGN UNITS METRIC	THIRD ANGLE PROJECTION 			
					DRAWN BY JB INGHAM	DATE 2001/10/08	TITLE SALES ASSEMBLY HDM BACKPLANE STACKING MODULE DOUBLE END WALL					
					CHECKED BY SREED	DATE 2001/10/08						
					APPROVED BY CB IXLER		DATE 2001/10/08	MATERIAL NO. SEE TABLE		DOCUMENT NO. SD-74993-001		SHEET NO. 2 OF 2
		ANGULAR ±1/2°		DRAFT WHERE APPLICABLE MUST REMAIN WITHIN DIMENSIONS		SIZE C		THIS DRAWING CONTAINS INFORMATION THAT IS PROPRIETARY TO MOLEX INCORPORATED AND SHOULD NOT BE USED WITHOUT WRITTEN PERMISSION				

MATERIAL NUMBER ASSIGNMENT

74993-* * 0 0

NUMBER	CIRCUIT SIZE	DIM "C"	TAIL STYLE
0	72	2.0	SOLDER
1	72	2.5	SOLDER
2	72	3.0	SOLDER
3	72	3.5	SOLDER
4	72	3.5	PRESSFIT

NUMBER	DIM "H"
0	6.05
1	10.05
2	15.05

SEE SHEET 1 EC NO. UCP2003-0313 DRW: REED 02/08/20 CHK: BINGHAM 02/08/20 APPR: BIXLER 02/08/20	QUALITY SYMBOLS MAJOR  CRITICAL 	GENERAL TOLERANCES: (UNLESS SPECIFIED) mm INCH		SCALE NO: NE <input checked="" type="checkbox"/> mm <input type="checkbox"/> INCH	DESIGN UNITS <input checked="" type="checkbox"/> mm <input type="checkbox"/> INCH	THIRD ANGLE PROJECTION 	DIMENSIONS: <input type="checkbox"/> mm <input type="checkbox"/> INCH <input checked="" type="checkbox"/> mm ONLY	SHT	REV		
		DRAWN BY & DATE JBINGHAM 01/10/08		CHECKED BY & DATE SREED 01/10/08		TITLE: SALES ASSEMBLY HDM BACKPLANE STACKING MODULE DOUBLE END WALL OPTION					
		APPROVED BY & DATE CBIXLER 01/10/08		CAD FILENAME S74993X2.DGN		MATERIAL NO. SEE CHART		DRAWING NO. SD-74993-001		SHEET NO.	REV
		ANGLULAR: ± °		DRAFT WHERE APPLICABLE MUST REMAIN WITHIN DIMENSIONS		THIS DRAWING CONTAINS INFORMATION THAT IS PROPRIETARY TO MOLEX INCORPORATED AND SHOULD NOT BE USED WITHOUT WRITTEN PERMISSION.					SIZE